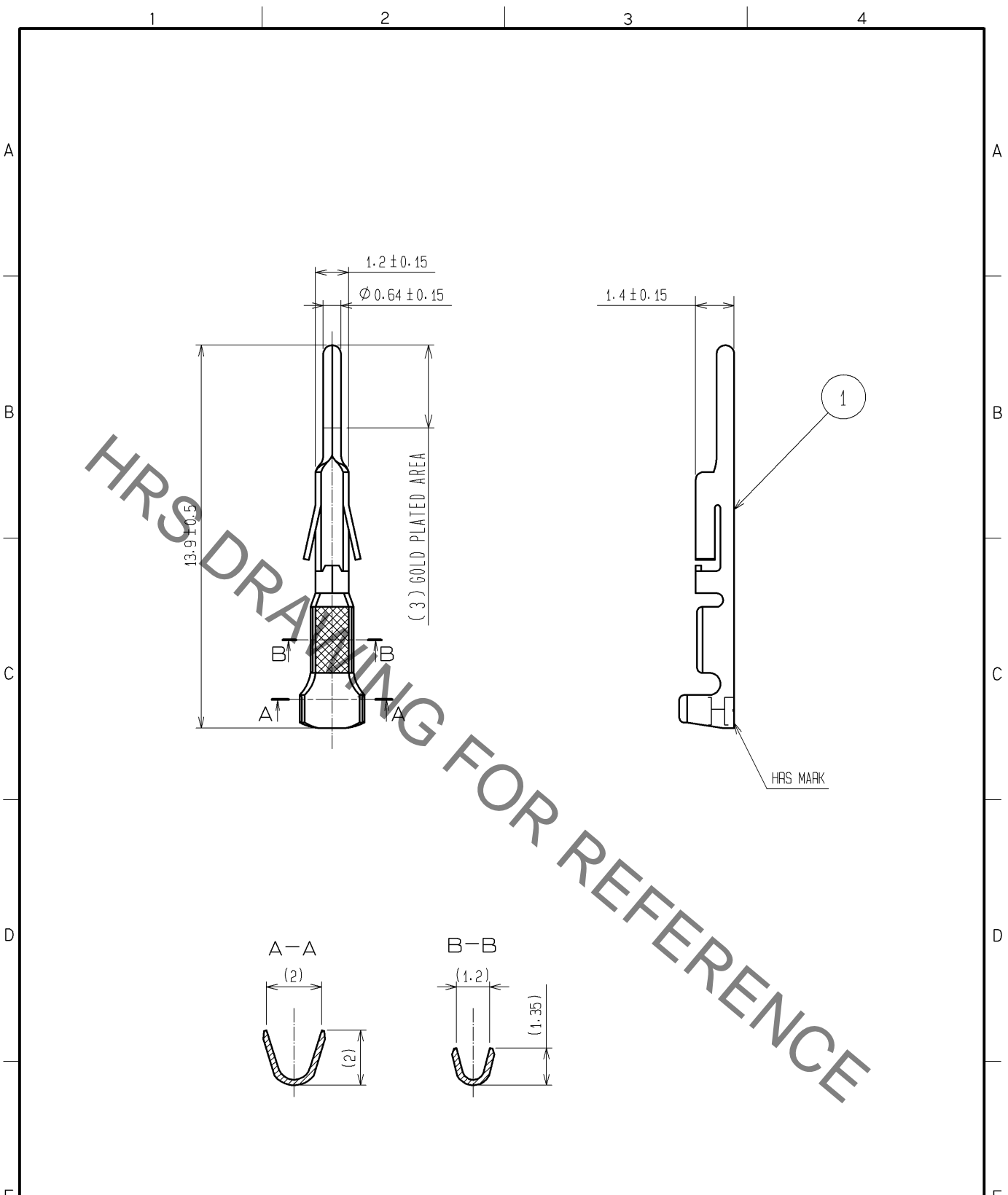


Sep.1.2021 Copyright 2021 HIROSE ELECTRIC CO., LTD. All Rights Reserved.  
 In case of consideration for using Automotive equipment / device which demand high reliability, kindly contact our sales window correspondents.



NOTE1: APPLICABLE CABLE: AWG24 TO 28

NO.		MATERIAL		FINISH, REMARKS		NO.		MATERIAL		FINISH, REMARKS			
		1		PHOSPHOR BRONZE				CONTACT AREA: GOLD PLATING 0.2µm Min		OTHERS: NICKEL PLATING 1µm Min			
UNITS mm		SCALE 5 : 1		COUNT		DESCRIPTION OF REVISIONS		DESIGNED		CHECKED		DATE	
HRS		HIROSE ELECTRIC CO., LTD.		APPROVED : KI. AKIYAMA		10.11.26		DRAWING NO.		EDC4-021359-01			
				CHECKED : TS. FUKUSHIMA		10.11.25		PART NO.		DF1-PD2428SCB			
				DESIGNED : HT. SATO		10.11.25		CODE NO.		CL541-0661-9-00		1/1	
				DRAWN : MI. SAKIMURA		10.11.24							

# Mouser Electronics

Authorized Distributor

Click to View Pricing, Inventory, Delivery & Lifecycle Information:

[Hirose Electric:](#)

[DF1-PD2428SCB](#)