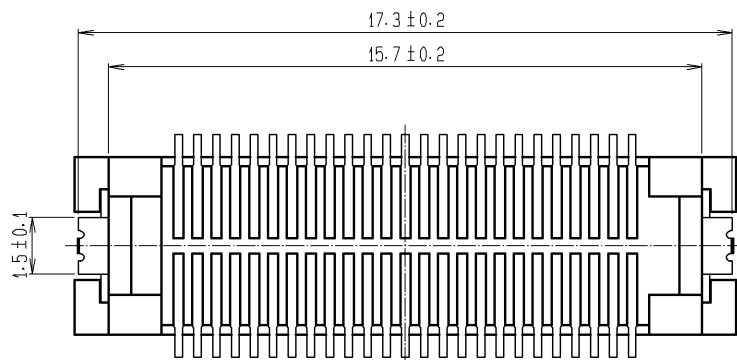
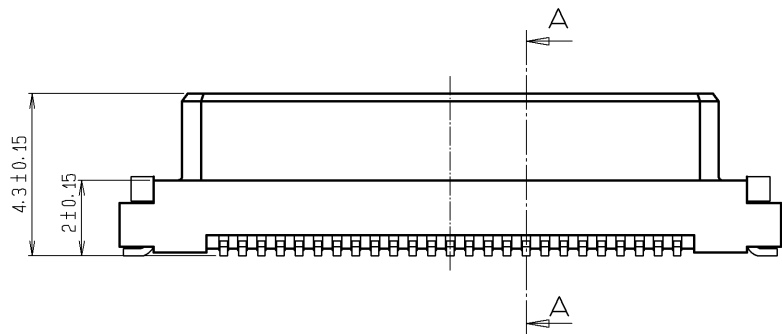
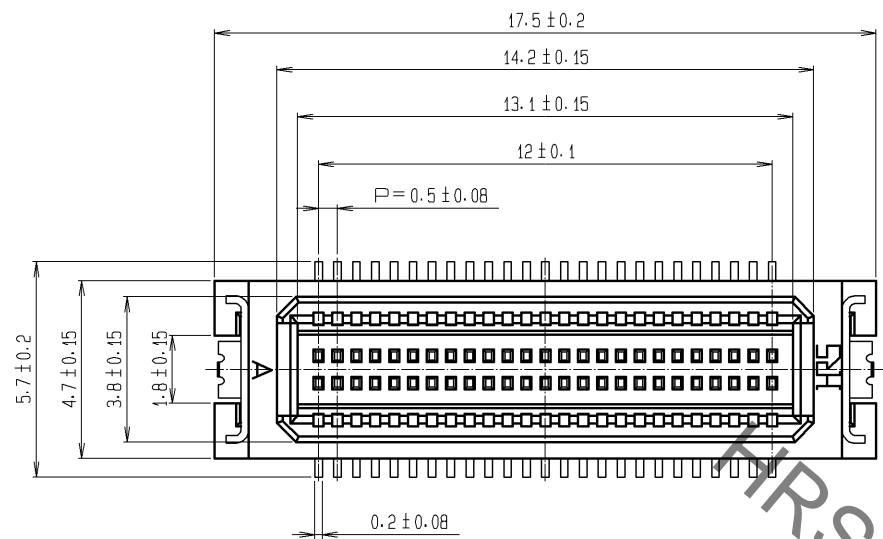
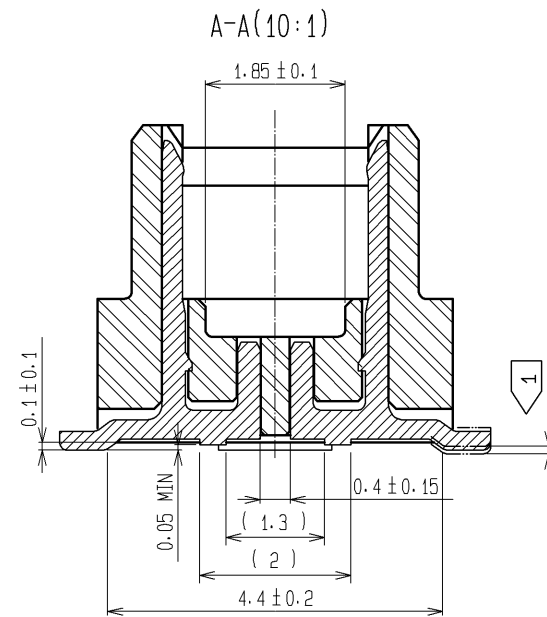
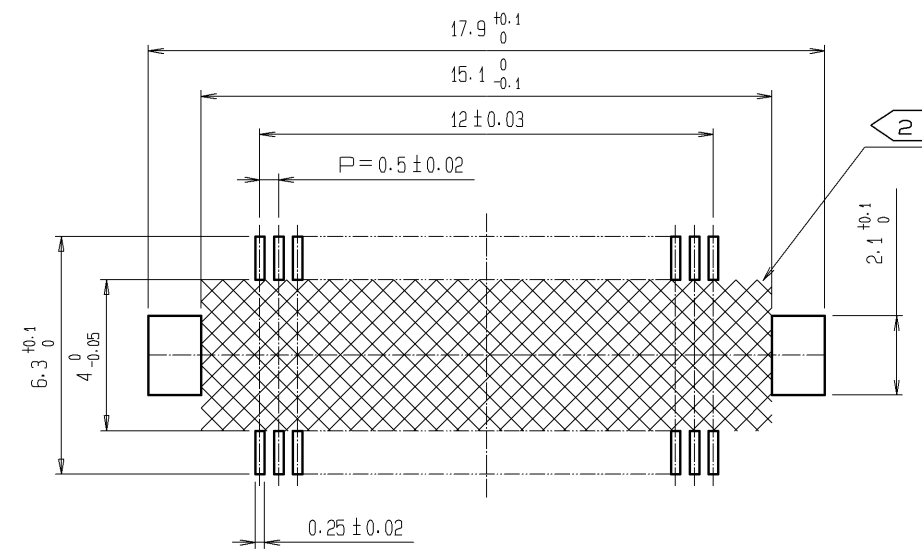


Sep.1.2021 Copyright 2021 HIROSE ELECTRIC CO., LTD. All Rights Reserved.
In case of consideration for using Automotive equipment / device which demand high reliability, kindly contact our sales window correspondents.



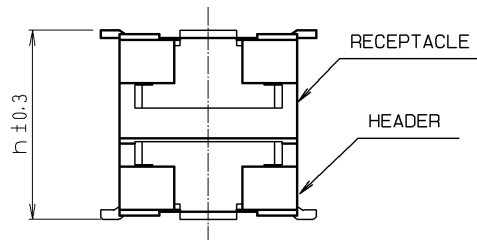
RECOMMENDED PATTERN



- NOTES
- 1 LEAD CO-PLANARITY INCLUDE REINFORCED METAL FITTINGS SHALL BE 0.1mm MAX .
 - 2 WHEN A PART MARKED WITH HAS A PATTERN BUT NO RESIST ON IT. TAKE CARE TO PREVENT THE CONNECTOR FROM TOUCHING IT.

MATED HIGHT (h) (mm)

HEADER NO.	RECEPTACLE NO.	
DF17B(2.0)-50DP-0.5V(57)	DF17#(3.0)-50DS-0.5V(57)	DF17#(4.0)-50DS-0.5V(57)
	5	6

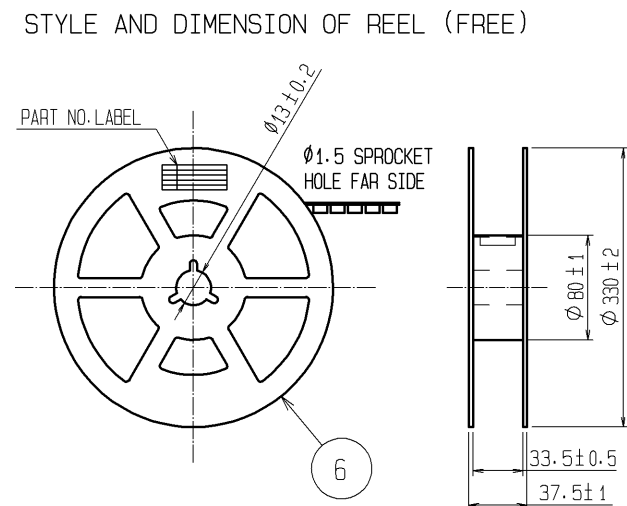
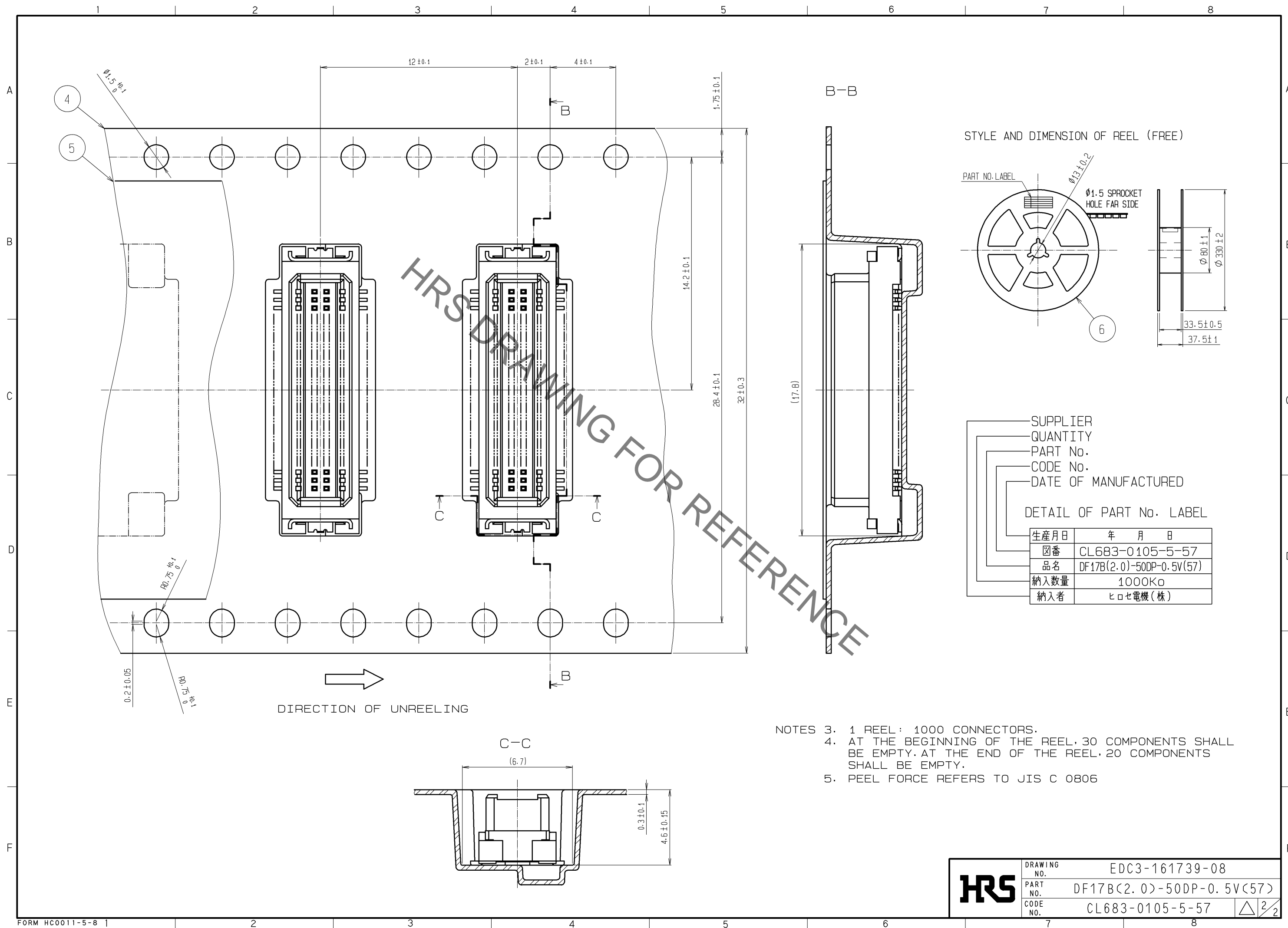


NO.	MATERIAL	FINISH . REMARKS	NO.	MATERIAL	FINISH . REMARKS
2	POLYAMIDE (PA6T)	WHITE BEIGE . UL94V-0	6	PS	PLASTIC REEL . BLACK
1	PHOSPHER BRONZE	CONTACT AREA:GOLD PLATED 0.1#m min	5	POLYESTER	CLEAR (COVER TAPE)
		LEAD AREA:TIN PLATED 1#m min UNDER PLATING:NICKEL PLATED 1#m min	4	A-PET	CLEAR(EMBOSSD CARRIER TAPE)
			3	PHOSPHER BRONZE	TIN PLATED : 1#m min UNDER PLATING:NICKEL PLATED 1#m min

UNITS	SCALE	COUNT	DESCRIPTION OF REVISIONS	DESIGNED	CHECKED	DATE
mm	5 : 1	△				

APPROVED : KH. IKEDA	08.09.16	DRAWING NO.	EDC3-161739-08
CHECED : TS. MIYAZAKI	08.09.16	PART NO.	DF17B(2.0)-50DP-0.5V(57)
DESIGNED : TY. YAMASAKI	08.08.19	CODE NO.	CL683-0105-5-57
DRAWN : TY. YAMASAKI	08.08.19		

Sep.1.2021 Copyright 2021 HIROSE ELECTRIC CO., LTD. All Rights Reserved.
 In case of consideration for using Automotive equipment / device which demand high reliability, kindly contact our sales window correspondents.

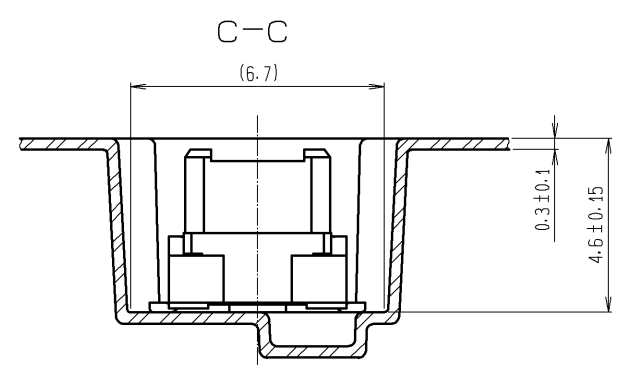


SUPPLIER
 QUANTITY
 PART No.
 CODE No.
 DATE OF MANUFACTURED

DETAIL OF PART No. LABEL

生産月日	年 月 日
図番	CL683-0105-5-57
品名	DF17B(2.0)-50DP-0.5V(57)
納入数量	1000K0
納入者	ヒロセ電機(株)

- NOTES
- 1 REEL: 1000 CONNECTORS.
 - AT THE BEGINNING OF THE REEL, 30 COMPONENTS SHALL BE EMPTY. AT THE END OF THE REEL, 20 COMPONENTS SHALL BE EMPTY.
 - PEEL FORCE REFERS TO JIS C 0806



HRS	DRAWING NO.	EDC3-161739-08
	PART NO.	DF17B(2.0)-50DP-0.5V(57)
	CODE NO.	CL683-0105-5-57
		△ 2/2

Mouser Electronics

Authorized Distributor

Click to View Pricing, Inventory, Delivery & Lifecycle Information:

[Hirose Electric:](#)

[DF17B\(2.0\)-50DP-0.5V\(57\)](#)