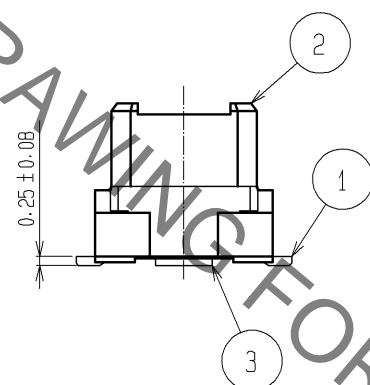
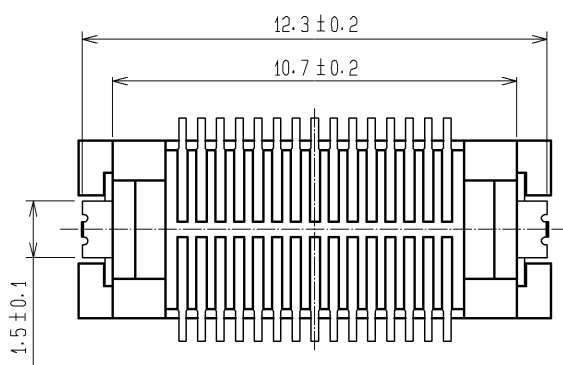
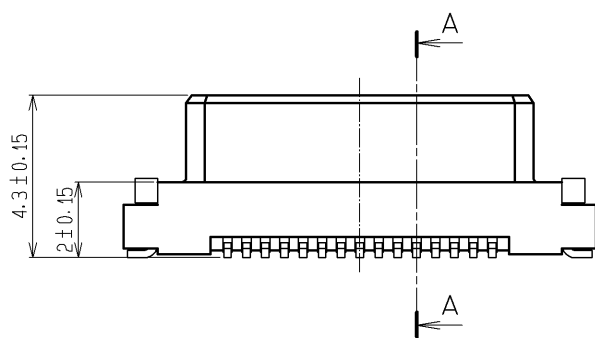
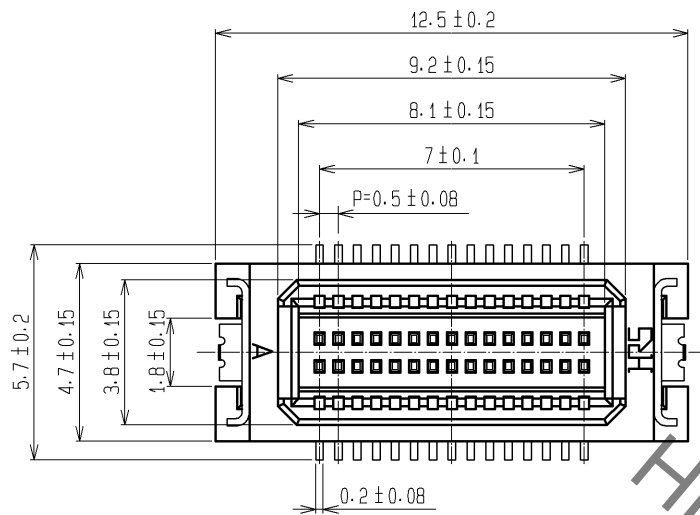
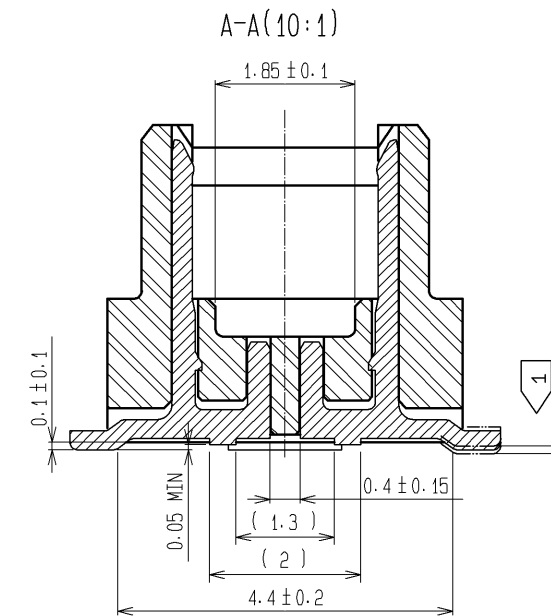
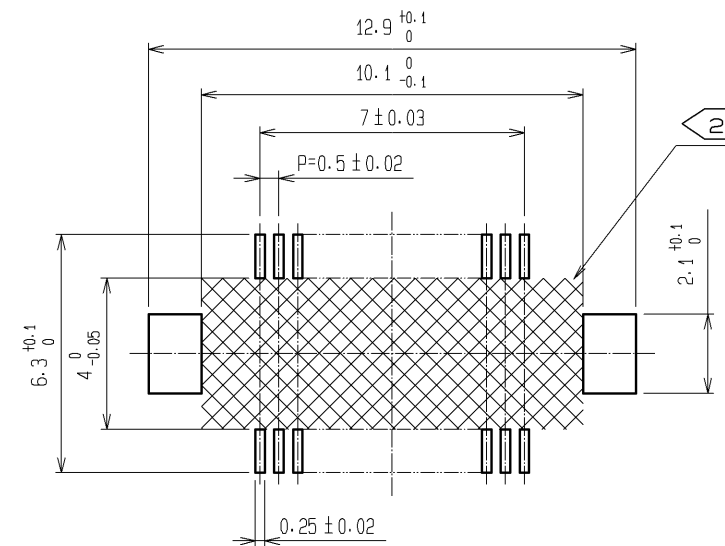


Sep.1.2021 Copyright 2021 HIROSE ELECTRIC CO., LTD. All Rights Reserved.
In case of consideration for using Automotive equipment / device which demand high reliability, kindly contact our sales window correspondents.

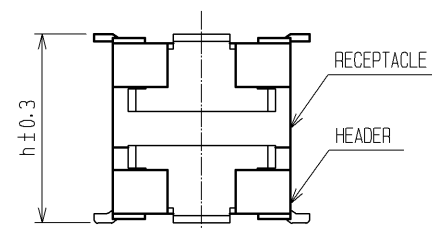


RECOMMENDED PATTERN



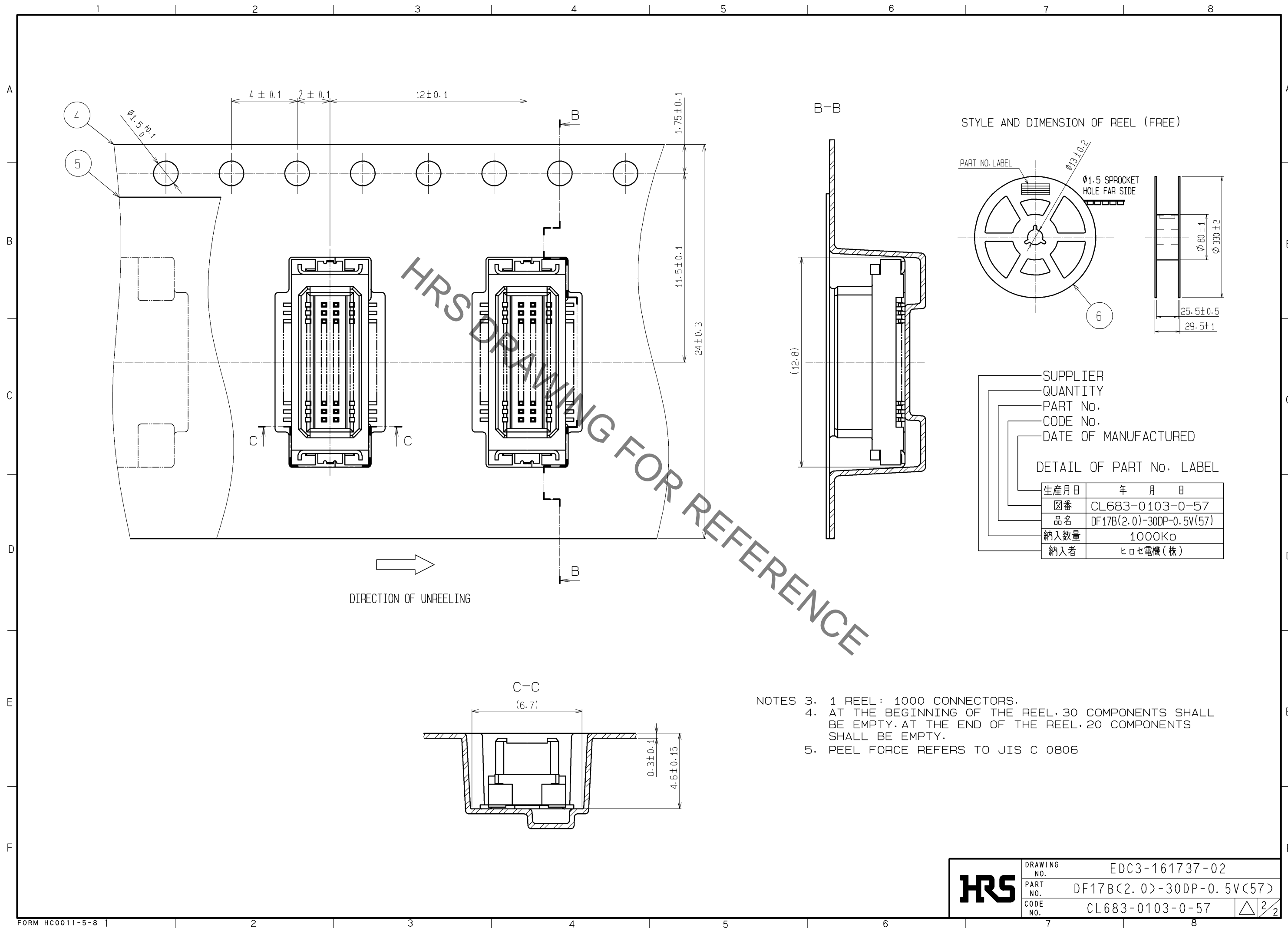
- NOTES
- ① LEAD CO-PLANARITY INCLUDE REINFORCED METAL FITTINGS SHALL BE 0.1mm MAX .
 - ② WHEN A PART MARKED WITH HAS A PATTERN BUT NO RESIST ON IT. TAKE CARE TO PREVENT THE CONNECTOR FROM TOUCHING IT.

MATED HIGHT (h)		(mm)	
HEADER NO.	RECEPTACLE NO.	DF17#(3.0)-30DS-0.5V(57)	DF17#(4.0)-30DS-0.5V(57)
DF17B(2.0)-30DP-0.5V(57)	5	5	6



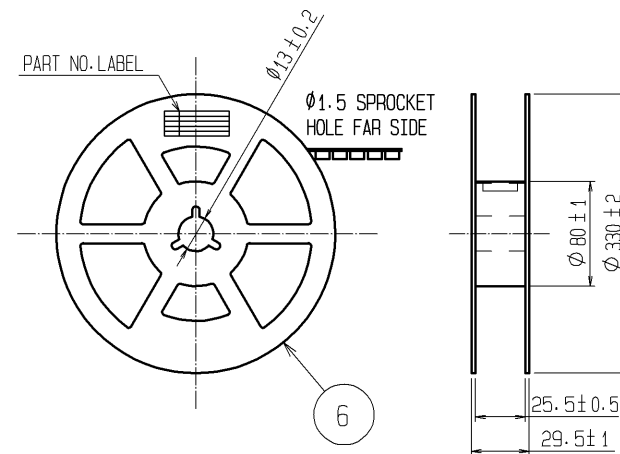
2	POLYAMIDE (PA6T)	WHITE BEIGE , UL94V-0	6	PS	PLASTIC REEL , BLACK
1	PHOSPHER BRONZE	CONTACT AREA:GOLD PLATED 0.1#m min LEAD AREA:TIN PLATED 1#m min UNDER PLATING:NICKEL PLATED 1#m min	5	POLYESTER	CLEAR (COVER TAPE)
			4	A-PET	CLEAR(EMBOSSD CARRIER TAPE)
			3	PHOSPHER BRONZE	TIN PLATED : 1#m min UNDER PLATING:NICKEL PLATED 1#m min
NO.	MATERIAL	FINISH , REMARKS	NO.	MATERIAL	FINISH , REMARKS
UNITS		SCALE	COUNT	DESCRIPTION OF REVISIONS	
mm		5 : 1		DESIGNED	CHECKED
HRS HIROSE ELECTRIC CO., LTD.		APPROVED : KH. IKEDA	08.09.16	DRAWING NO. EDC3-161737-02	
		CHECED : TS. MIYAZAKI	08.09.16	PART NO. DF17B(2.0)-30DP-0.5V(57)	
		DESIGNED : TY. YAMASAKI	08.08.19	CODE NO. CL683-0103-0-57	
		DRAWN : TY. YAMASAKI	08.08.19	DATE	

Sep.1.2021 Copyright 2021 HIROSE ELECTRIC CO., LTD. All Rights Reserved.
 In case of consideration for using Automotive equipment / device which demand high reliability, kindly contact our sales window correspondents.



HRS DRAWING FOR REFERENCE

STYLE AND DIMENSION OF REEL (FREE)



SUPPLIER
 QUANTITY
 PART No.
 CODE No.
 DATE OF MANUFACTURED

DETAIL OF PART No. LABEL

生産月日	年 月 日
図番	CL683-0103-0-57
品名	DF17B(2.0)-30DP-0.5V(57)
納入数量	1000K ϕ
納入者	ヒロセ電機(株)

- NOTES
- 1 REEL : 1000 CONNECTORS.
 - AT THE BEGINNING OF THE REEL, 30 COMPONENTS SHALL BE EMPTY. AT THE END OF THE REEL, 20 COMPONENTS SHALL BE EMPTY.
 - PEEL FORCE REFERS TO JIS C 0806

HRS	DRAWING NO.	EDC3-161737-02
	PART NO.	DF17B(2.0)-30DP-0.5V(57)
	CODE NO.	CL683-0103-0-57
		\triangle 2/2

Mouser Electronics

Authorized Distributor

Click to View Pricing, Inventory, Delivery & Lifecycle Information:

[Hirose Electric:](#)

[DF17B\(2.0\)-30DP-0.5V\(57\)](#)