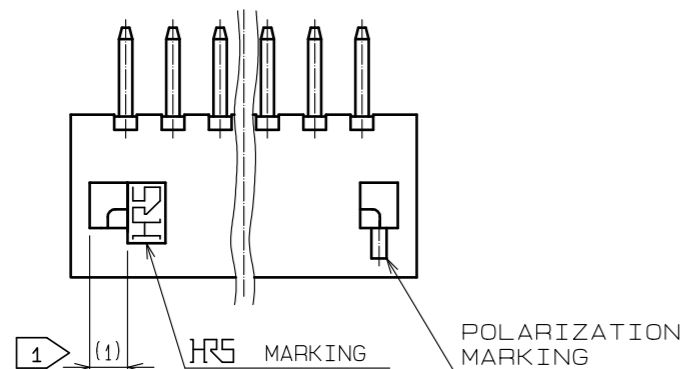
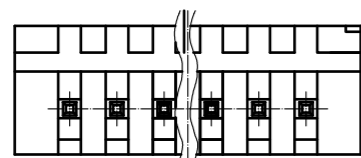
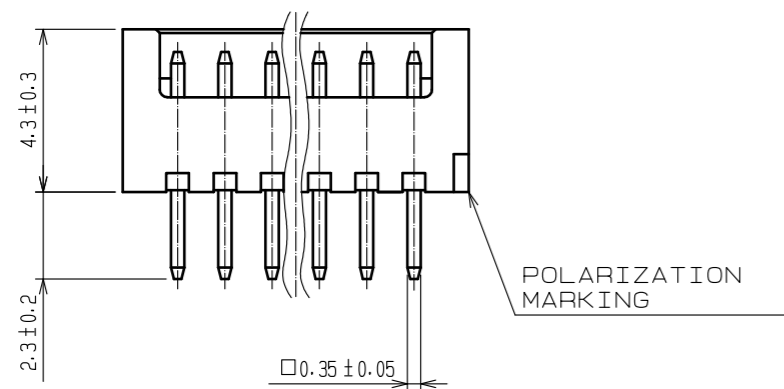
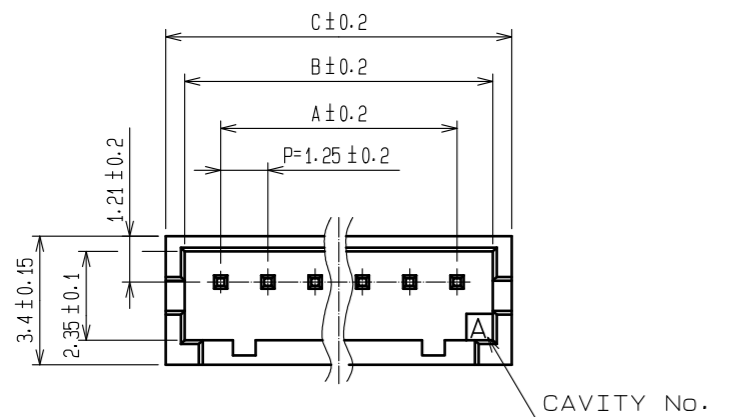


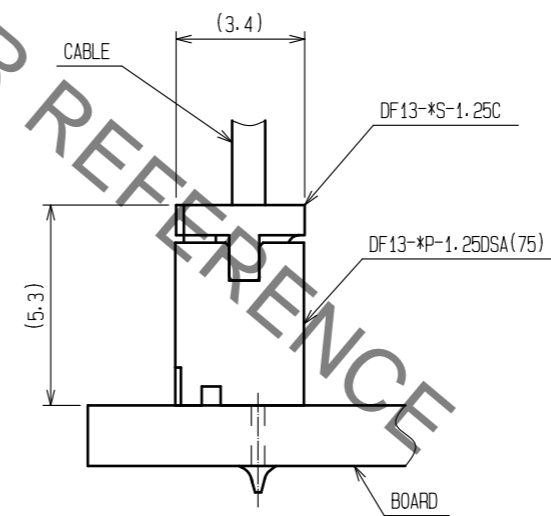
Aug.1.2021 Copyright 2021 HIROSE ELECTRIC CO., LTD. All Rights Reserved.
In case of consideration for using Automotive equipment / device which demand high reliability, kindly contact our sales window correspondents.



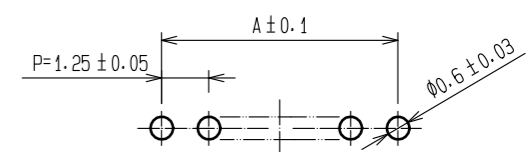
HRS DRAWING FOR REFERENCE

| PART No. | CODE No. | NUMBER OF CONTACTS | A | B | C |
|----------------------|-----------------|--------------------|-------|-------|-------|
| DF13- 2P-1.25DSA(75) | CL536-0101-9-75 | 2 | 1.25 | 3.15 | 4.15 |
| DF13- 3P-1.25DSA(75) | CL536-0102-1-75 | 3 | 2.5 | 4.4 | 5.4 |
| DF13- 4P-1.25DSA(75) | CL536-0103-4-75 | 4 | 3.75 | 5.65 | 6.65 |
| DF13- 5P-1.25DSA(75) | CL536-0104-7-75 | 5 | 5 | 6.9 | 7.9 |
| DF13- 6P-1.25DSA(75) | CL536-0105-0-75 | 6 | 6.25 | 8.15 | 9.15 |
| DF13- 7P-1.25DSA(75) | CL536-0106-2-75 | 7 | 7.5 | 9.4 | 10.4 |
| DF13- 8P-1.25DSA(75) | CL536-0107-5-75 | 8 | 8.75 | 10.65 | 11.65 |
| DF13- 9P-1.25DSA(75) | CL536-0108-8-75 | 9 | 10 | 11.9 | 12.9 |
| DF13-10P-1.25DSA(75) | CL536-0109-0-75 | 10 | 11.25 | 13.15 | 14.15 |
| DF13-11P-1.25DSA(75) | — | 11 | 12.5 | 14.4 | 15.4 |
| DF13-12P-1.25DSA(75) | CL536-0111-2-75 | 12 | 13.75 | 15.65 | 16.65 |
| DF13-13P-1.25DSA(75) | CL536-0112-5-75 | 13 | 15 | 16.9 | 17.9 |
| DF13-14P-1.25DSA(75) | CL536-0113-8-75 | 14 | 16.25 | 18.15 | 19.15 |
| DF13-15P-1.25DSA(75) | CL536-0114-0-75 | 15 | 17.5 | 19.4 | 20.4 |

2 APPLICATION FIGURE



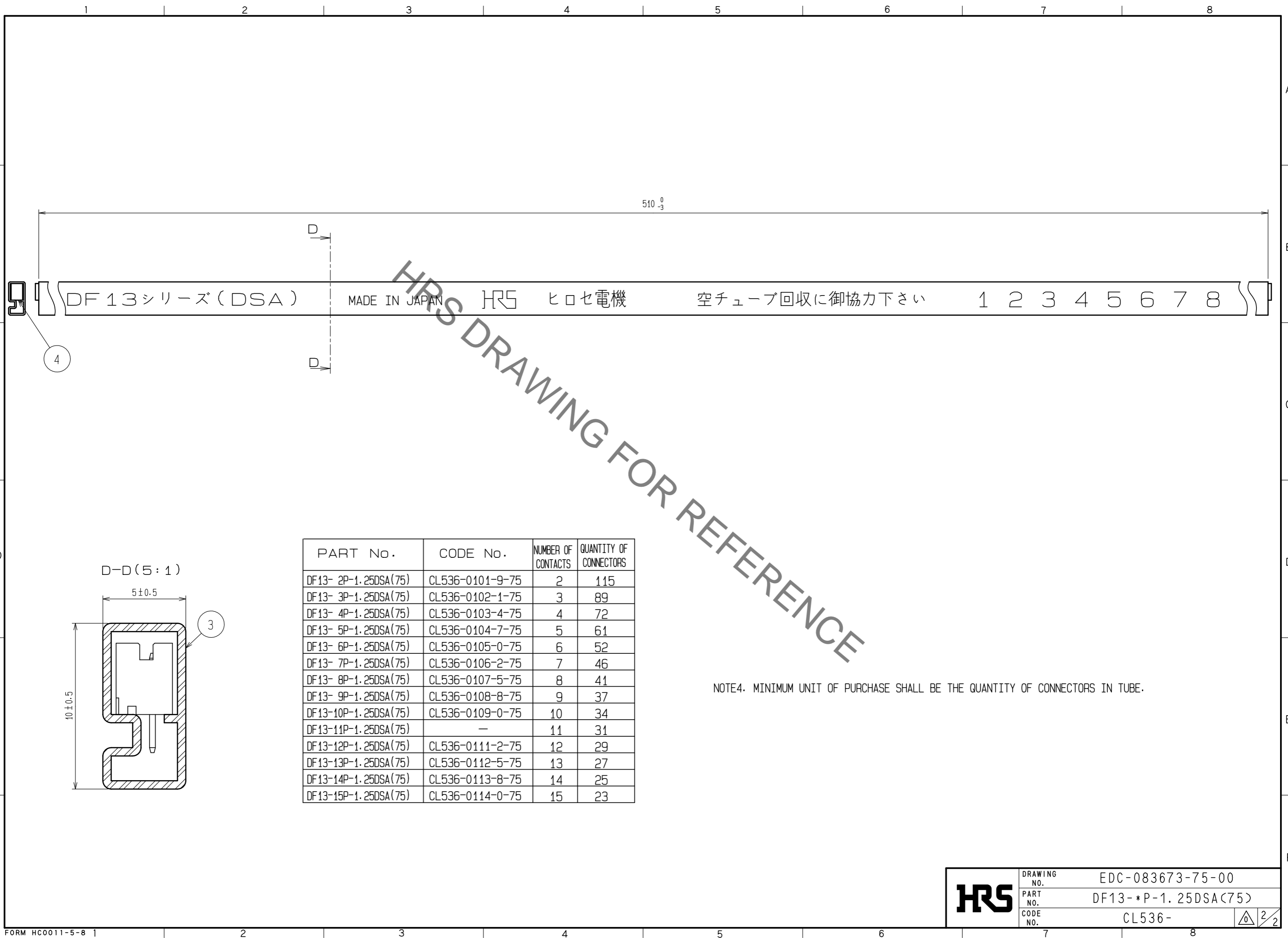
3 RECOMMENDED PATTERN



- 1 WHEN THIS CONNECTOR HAS TWO OR THREE CONTACTS, THE LOCK OF CONNECTOR SHALL BE SET AT THE CENTER OF HOUSING. IN CASE THAT THE NUMBER OF CONTACTS IS MORE THAN FOUR, THE TWO LOCKS SHALL BE SET IN ACCORDANCE WITH THE DRAWINGS.
- 2 WHEN THIS CONNECTOR MATES WITH DF13-*S-1.25C, THE MATING HEIGHT IS 5.3mm.
- 3 RECOMMENDED THROUGH HOLE DIA. : Ø0.6±0.03

| | | | | | | | |
|--------------------------------------|-----------|--|------------------------------|--------------------------|----------------------------------|---------|------|
| 2 | BRASS | SURFACE:TIN PLATED 1µm min. UNDER PLATING:COPPER PLATED 1µm min | 4 | ELASTOMER | GREEN·STOPPER | | |
| 1 | POLYAMIDE | BEIGE(NATURAL)·UL94V-0 | 3 | R·PVC | ANTI-ELECTRIFICATION·CLEAR·STICK | | |
| NO. | MATERIAL | FINISH , REMARKS | NO. | MATERIAL | FINISH , REMARKS | | |
| UNITS mm | | SCALE 5 : 1 | COUNT | DESCRIPTION OF REVISIONS | DESIGNED | CHECKED | DATE |
| HRS HIROSE ELECTRIC CO., LTD. | | APPROVED : HS. OKAWA 18.03.20 | DRAWING NO. EDC-083673-75-00 | | | | |
| | | CHECKED : TS. FUKUSHIMA 18.03.20 | PART NO. DF13-*P-1.25DSA(75) | | | | |
| | | DESIGNED : TS. KUMAZAWA 18.03.19 | CODE NO. CL536- | | | | |
| | | DRAWN : MK. INOUE 18.03.08 | | | | | |

Aug.1.2021 Copyright 2021 HIROSE ELECTRIC CO., LTD. All Rights Reserved.
 In case of consideration for using Automotive equipment / device which demand high reliability, kindly contact our sales window correspondents.



| PART No. | CODE No. | NUMBER OF CONTACTS | QUANTITY OF CONNECTORS |
|----------------------|-----------------|--------------------|------------------------|
| DF13- 2P-1.25DSA(75) | CL536-0101-9-75 | 2 | 115 |
| DF13- 3P-1.25DSA(75) | CL536-0102-1-75 | 3 | 89 |
| DF13- 4P-1.25DSA(75) | CL536-0103-4-75 | 4 | 72 |
| DF13- 5P-1.25DSA(75) | CL536-0104-7-75 | 5 | 61 |
| DF13- 6P-1.25DSA(75) | CL536-0105-0-75 | 6 | 52 |
| DF13- 7P-1.25DSA(75) | CL536-0106-2-75 | 7 | 46 |
| DF13- 8P-1.25DSA(75) | CL536-0107-5-75 | 8 | 41 |
| DF13- 9P-1.25DSA(75) | CL536-0108-8-75 | 9 | 37 |
| DF13-10P-1.25DSA(75) | CL536-0109-0-75 | 10 | 34 |
| DF13-11P-1.25DSA(75) | — | 11 | 31 |
| DF13-12P-1.25DSA(75) | CL536-0111-2-75 | 12 | 29 |
| DF13-13P-1.25DSA(75) | CL536-0112-5-75 | 13 | 27 |
| DF13-14P-1.25DSA(75) | CL536-0113-8-75 | 14 | 25 |
| DF13-15P-1.25DSA(75) | CL536-0114-0-75 | 15 | 23 |

NOTE4. MINIMUM UNIT OF PURCHASE SHALL BE THE QUANTITY OF CONNECTORS IN TUBE.

| | | |
|------------|-------------|---------------------|
| HRS | DRAWING NO. | EDC-083673-75-00 |
| | PART NO. | DF13-*P-1.25DSA(75) |
| | CODE NO. | CL536- |

Mouser Electronics

Authorized Distributor

Click to View Pricing, Inventory, Delivery & Lifecycle Information:

[Hirose Electric:](#)

[DF13-3P-1.25DSA\(75\)](#)