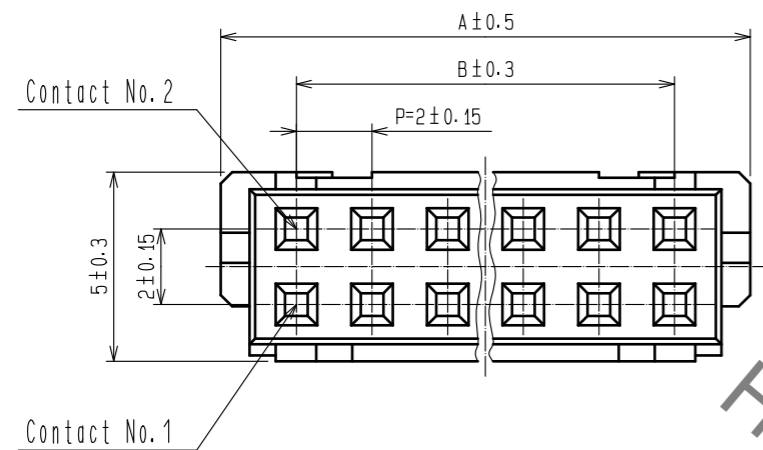
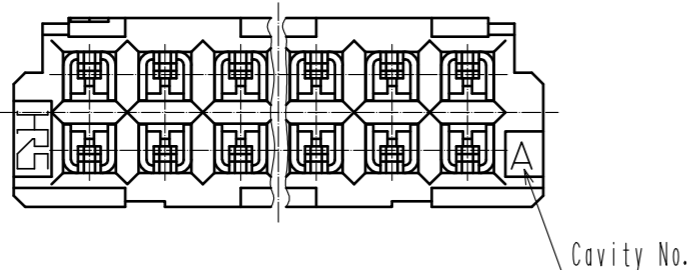
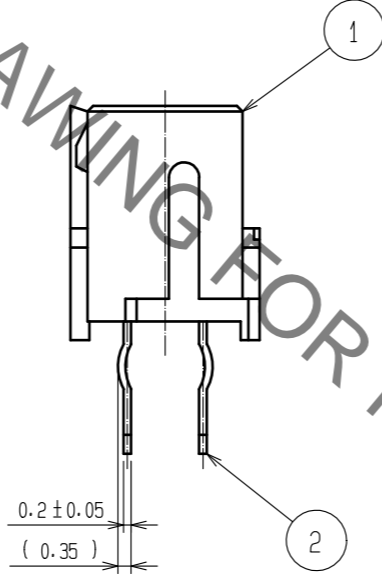
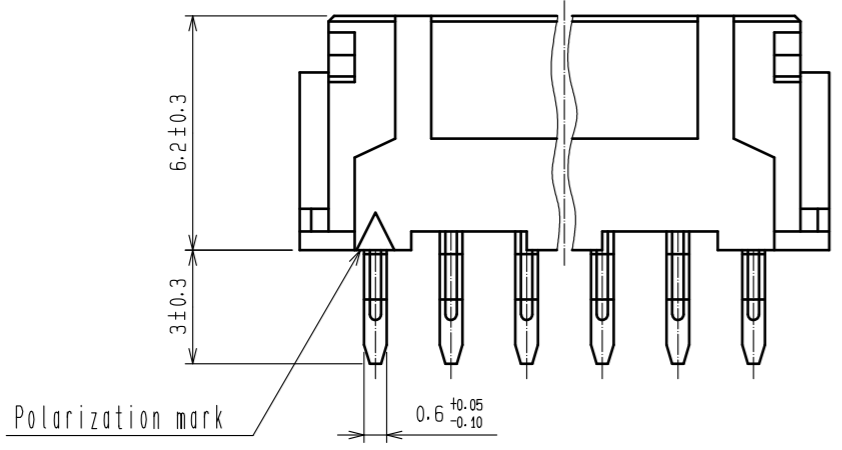
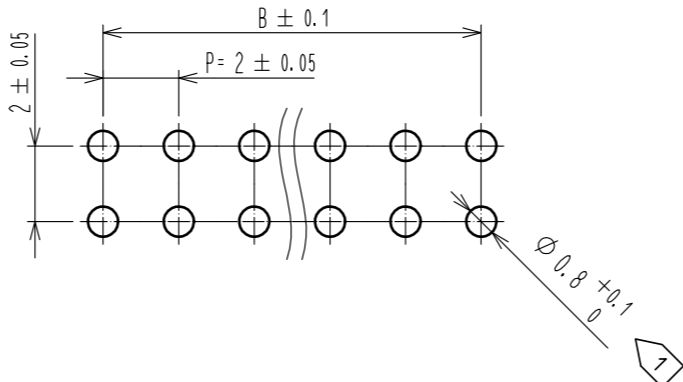


Jul.1.2021 Copyright 2021 HIROSE ELECTRIC CO., LTD. All Rights Reserved.
 In case of consideration for using Automotive equipment / device which demand high reliability, kindly contact our sales window correspondents.



△ Recommended PCB layout
 (Recommended thickness t=1.6mm)



| CODE No. | PART No. | NUMBER OF CONTACT | A | B |
|---------------|--------------------|-------------------|------|------|
| 543-0553-9-06 | DF11- 6DS-2DSA(06) | 6 | 8.0 | 4.0 |
| 543-0554-1-06 | DF11- 8DS-2DSA(06) | 8 | 10.0 | 6.0 |
| 543-0555-4-06 | DF11-10DS-2DSA(06) | 10 | 12.0 | 8.0 |
| 543-0556-7-06 | DF11-12DS-2DSA(06) | 12 | 14.0 | 10.0 |
| 543-0557-0-06 | DF11-14DS-2DSA(06) | 14 | 16.0 | 12.0 |
| 543-0558-2-06 | DF11-16DS-2DSA(06) | 16 | 18.0 | 14.0 |
| 543-0559-5-06 | DF11-18DS-2DSA(06) | 18 | 20.0 | 16.0 |
| 543-0560-4-06 | DF11-20DS-2DSA(06) | 20 | 22.0 | 18.0 |
| 543-0561-7-06 | DF11-22DS-2DSA(06) | 22 | 24.0 | 20.0 |
| 543-0562-0-06 | DF11-24DS-2DSA(06) | 24 | 26.0 | 22.0 |
| 543-0563-2-06 | DF11-26DS-2DSA(06) | 26 | 28.0 | 24.0 |
| 543-0564-5-06 | DF11-28DS-2DSA(06) | 28 | 30.0 | 26.0 |
| 543-0565-8-06 | DF11-30DS-2DSA(06) | 30 | 32.0 | 28.0 |
| 543-0566-0-06 | DF11-32DS-2DSA(06) | 32 | 34.0 | 30.0 |

- △ Notes ① If pre-fixation to PCB before flow soldering is required, through hole dimension shall be $\phi 0.8^{+0.05}_0$.
 2. The minimum order quantity is by the one pack amount '100 pieces'.

| | | | | | |
|--------------------------------------|-----------|------------------|------------|--|--|
| 1 | Polyamide | UL94V-0, Black | 2 | Brass | Contact area : Gold plated 0.2μm min. Lead area : Tin plated 2μm min. Under plating : Nickel plated 1μm min. |
| NO. | MATERIAL | FINISH . REMARKS | NO. | MATERIAL | FINISH . REMARKS |
| UNITS mm | | SCALE 5 : 1 | COUNT 2 | DESCRIPTION OF REVISIONS DIS-H-00002846 | DESIGNED TS.MIYAKI |
| APPROVED : KJ. KATAYOSE | | 05.01.05 | | DRAWING NO. EDC3-162401-02 | |
| CHECKED : TY. OMA | | 05.01.05 | | PART NO. DF11- *DS-2DSA(06) | |
| DESIGNED : IO. DENPOUYA | | 05.01.05 | | CODE NO. CL543- | |
| DRAWN : IO. DENPOUYA | | 05.01.05 | | DATE 17.05.22 | |
| HRS HIROSE ELECTRIC CO., LTD. | | | | CHECKED TS. FUKUSHIMA | |

Mouser Electronics

Authorized Distributor

Click to View Pricing, Inventory, Delivery & Lifecycle Information:

[Hirose Electric:](#)

[DF11-26DS-2DSA\(06\)](#)