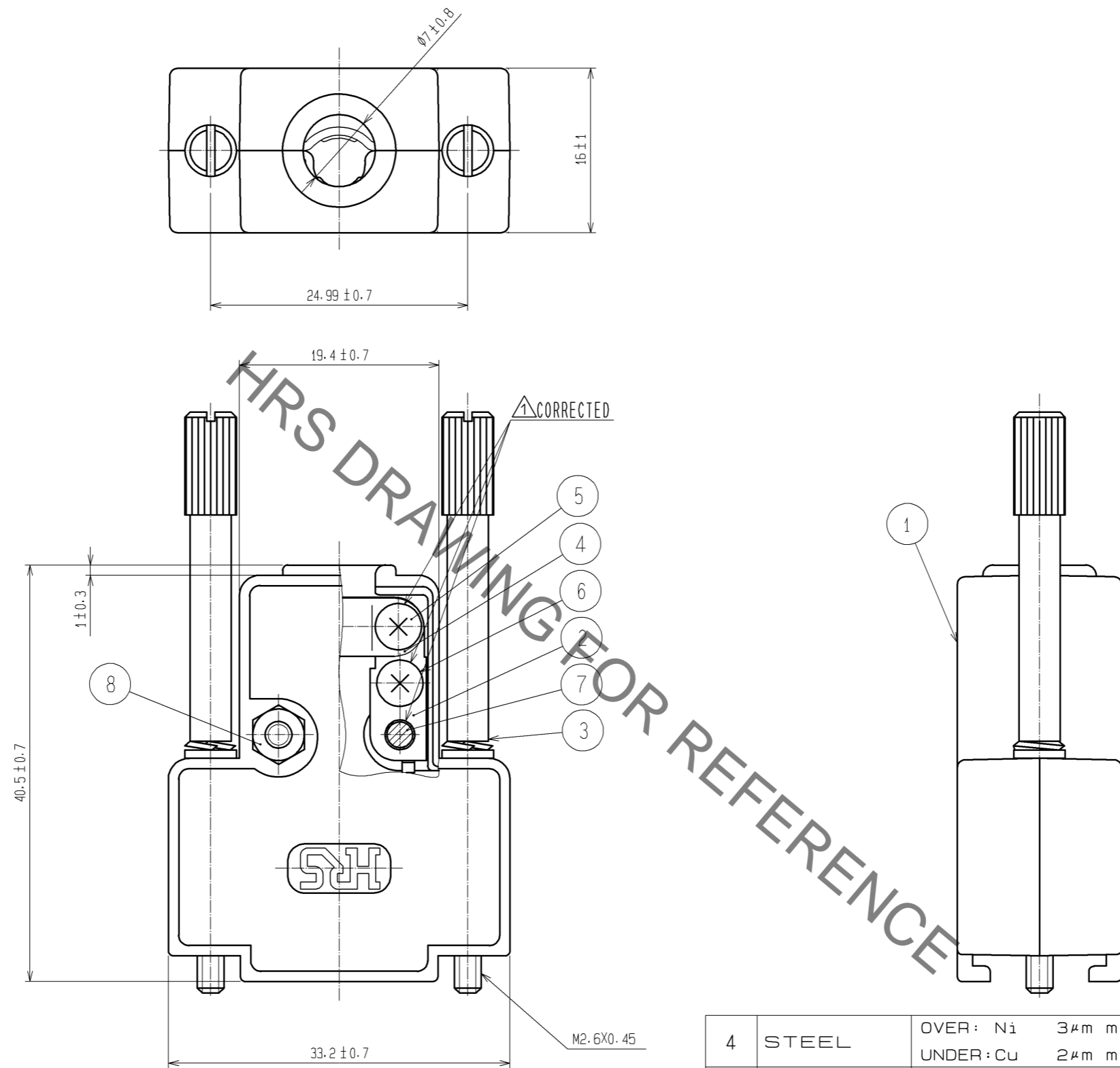


Sep.1.2021 Copyright 2021 HIROSE ELECTRIC CO., LTD. All Rights Reserved.
In case of consideration for using Automotive equipment / device which demand high reliability, kindly contact our sales window correspondents.



4	STEEL	OVER: Ni 3 μ m min UNDER: Cu 2 μ m min	8	STEEL	OVER: Ni 0.8 μ m min UNDER: Cu 2 μ m min
3	STEEL	OVER: Ni 0.8 μ m min UNDER: Cu 2 μ m min	7	STEEL	OVER: Ni 0.8 μ m min UNDER: Cu 2 μ m min
2	STEEL	OVER: Ni 3 μ m min UNDER: Cu 2 μ m min	6	STEEL	OVER: Ni 0.8 μ m min UNDER: Cu 2 μ m min
1	ABS	OVER: Cr 0.2 μ m min UNDER: Ni 10 μ m min	5	STEEL	OVER: Ni 0.8 μ m min UNDER: Cu 2 μ m min
NO.	MATERIAL	FINISH . REMARKS	NO.	MATERIAL	FINISH . REMARKS

UNITS mm		SCALE 2 : 1	COUNT 1	DESCRIPTION OF REVISIONS DIS-E-002509	DESIGNED MT. ITANO	CHECKED KI. NAGANUMA	DATE 08.10.21
APPROVED : SR. KIKUTA 07.11.20				DRAWING NO. EDC3-022619-01			
CHECKED : YH. ENAMI 07.11.20				PART NO. HDE-CTH1(10)			
DESIGNED : MT. ITANO 07.11.20				CODE NO. CL211-0621-8-10			
DRAWN : MT. ITANO 07.11.20				1/1			

Mouser Electronics

Authorized Distributor

Click to View Pricing, Inventory, Delivery & Lifecycle Information:

[Hirose Electric:](#)

[HDE-CTH1\(10\)](#)