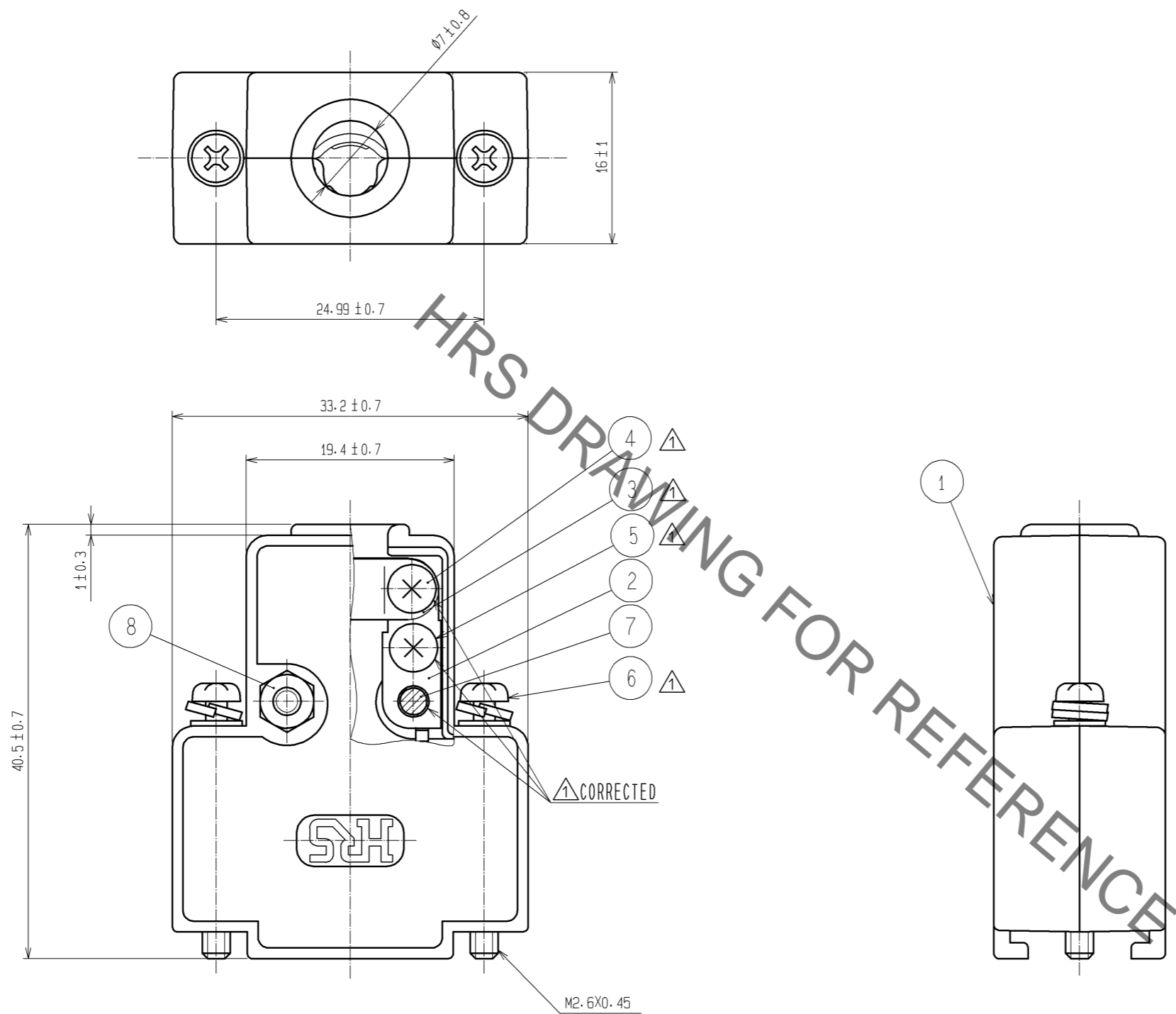


Sep.1.2021 Copyright 2021 HIROSE ELECTRIC CO., LTD. All Rights Reserved.
 In case of consideration for using Automotive equipment / device which demand high reliability, kindly contact our sales window correspondents.



NO.	MATERIAL	FINISH . REMARKS	NO.	MATERIAL	FINISH . REMARKS
4	STEEL	NICKEL PLATING M2.6X0.45X8	8	STEEL	NICKEL PLATING M2.6X0.45
3	STEEL	NICKEL PLATING	7	STEEL	NICKEL PLATING M2.6X0.45X14
2	STEEL	NICKEL PLATING	6	STEEL	NICKEL PLATING
1	ABS	CHROMIUM PLATING OVER NICKEL PLATING UL94HB	5	STEEL	NICKEL PLATING M2.6X0.45X5

UNITS	SCALE	COUNT	DESCRIPTION OF REVISIONS	DESIGNED	CHECKED	DATE
mm	2 : 1	5	DIS-E-002509	MT. ITANO	KI. NAGANUMA	08. 10. 21
APPROVED : HO. MIWA			06. 07. 27	DRAWING NO. EDC3-010052-01		
CHECKED : HO. MIWA			06. 07. 27	PART NO. HDE-CTH(10)		
DESIGNED : YH. ENAMI			06. 07. 27	CODE NO. CL211-0276-1-10		
DRAWN : YH. ENAMI			06. 07. 27	1/1		

Mouser Electronics

Authorized Distributor

Click to View Pricing, Inventory, Delivery & Lifecycle Information:

[Hirose Electric:](#)

[HDE-CTH\(10\)](#)