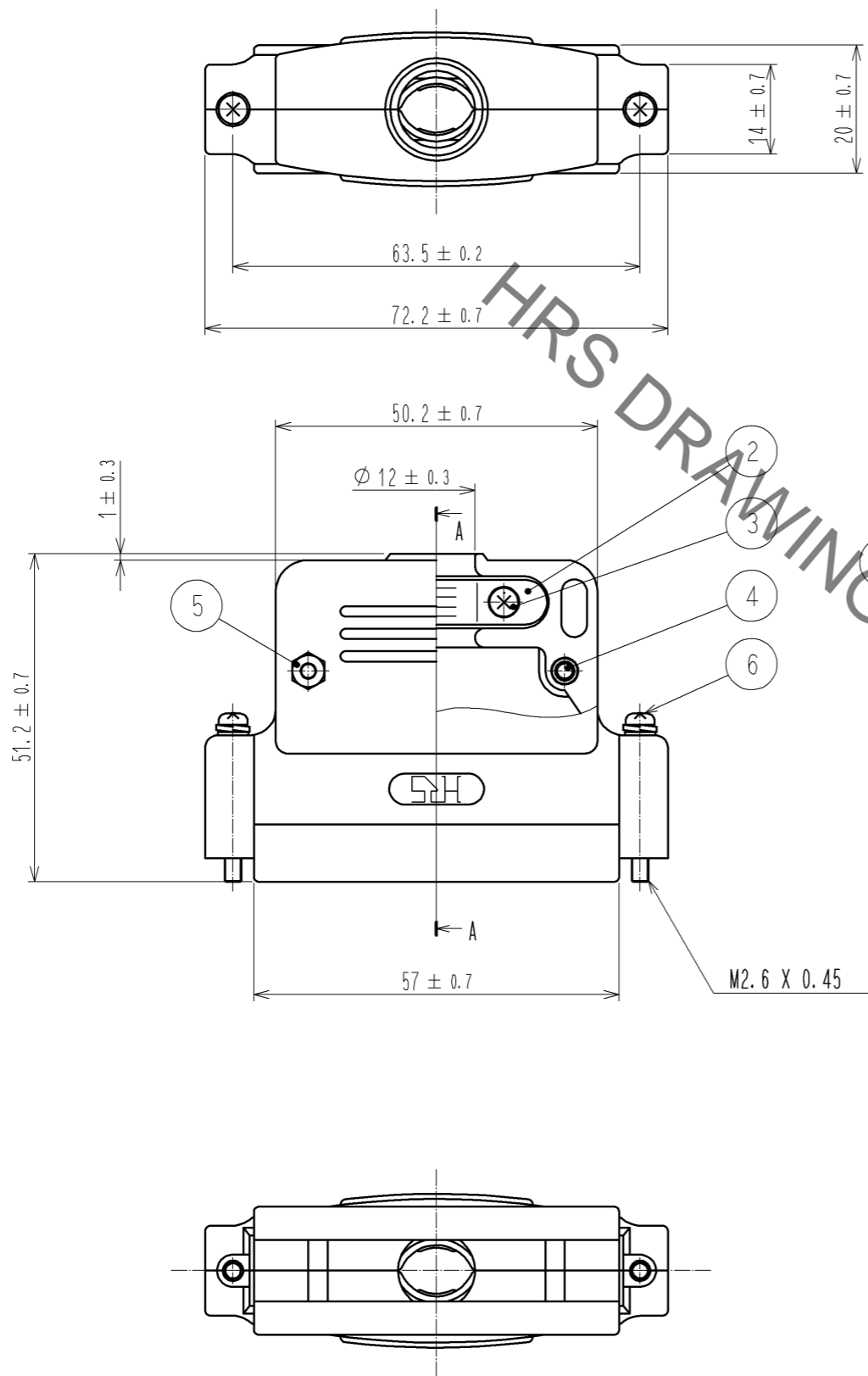
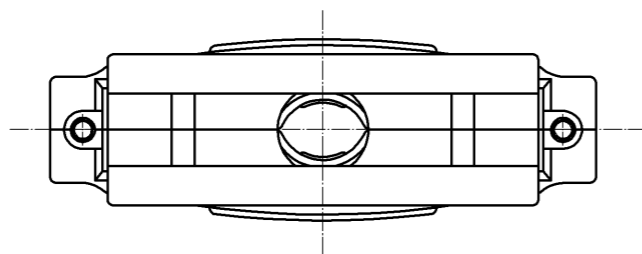
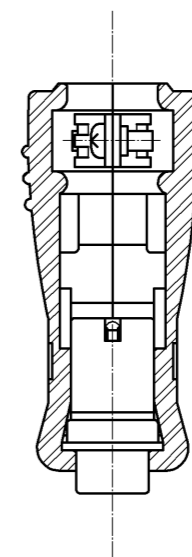


Sep.1.2021 Copyright 2021 HIROSE ELECTRIC CO., LTD. All Rights Reserved.
In case of consideration for using Automotive equipment / device which demand high reliability, kindly contact our sales window correspondents.



CONNECTOR APPLICATED SECTIONAL VIEW (SECTION A-A)
FDC-37P NOT STRAIN-RELIEF



NO.	MATERIAL	FINISH . REMARKS	NO.	MATERIAL	FINISH . REMARKS
3	STEEL	SURFACE PLATING : NICKEL 0.8μm min. UNDER PLATING : COPPER 2μm min.	6	STEEL	SURFACE PLATING : NICKEL 0.8μm min. UNDER PLATING : COPPER 2μm min.
2	STEEL	SURFACE PLATING : NICKEL 3μm min. UNDER PLATING : COPPER 2μm min.	5	STEEL	SURFACE PLATING : NICKEL 0.8μm min. UNDER PLATING : COPPER 2μm min.
1	ABS	UL94HB. COLOR : GRAY	4	STEEL	SURFACE PLATING : NICKEL 2μm min. UNDER PLATING : COPPER 1μm min.

UNITS	SCALE	COUNT	DESCRIPTION OF REVISIONS	DESIGNED	CHECKED	DATE
mm	1 : 1	△	APPROVED : YH. ENAMI 08.12.02			
			CHECKED : HO. MIWA 08.12.01			
			DESIGNED : HN. ANDO 08.12.01			
			DRAWN : HN. ANDO 08.12.01			

DRAWING NO.	EDC3-008829-01
PART NO.	HDC-CTF(50)
CODE NO.	CL211-0161-0-50

Mouser Electronics

Authorized Distributor

Click to View Pricing, Inventory, Delivery & Lifecycle Information:

[Hirose Electric:](#)

[HDC-CTF\(50\)](#)