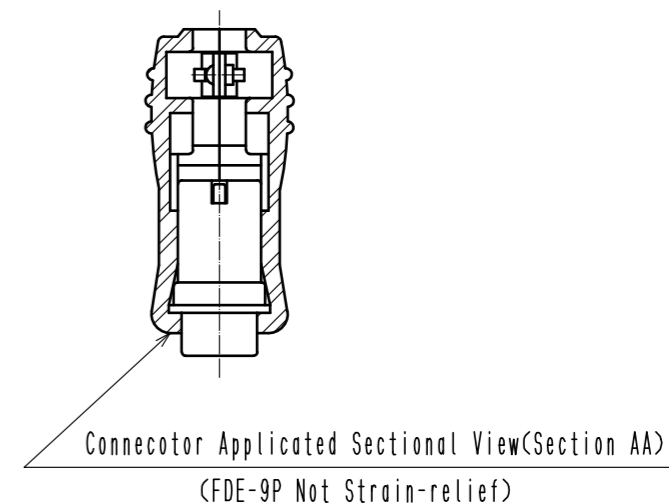
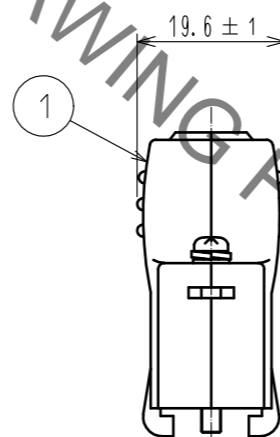
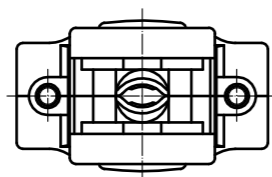
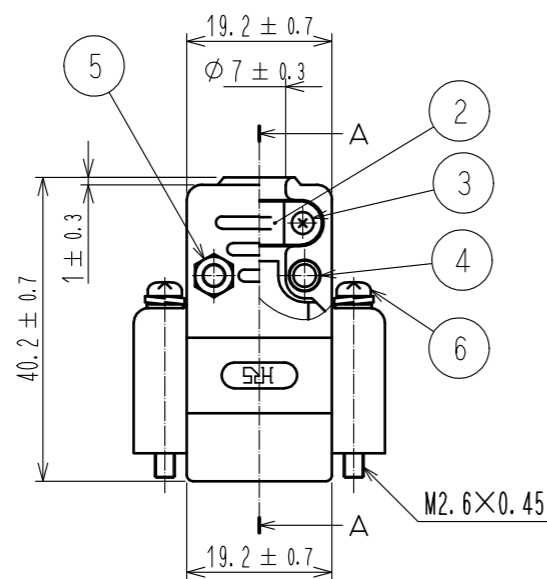
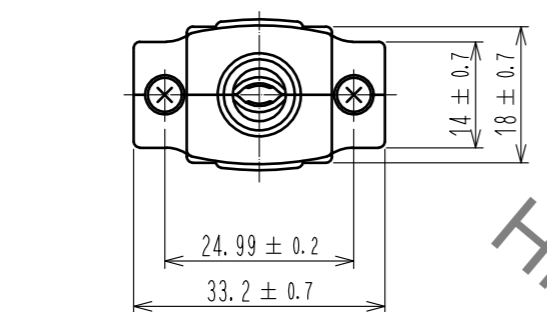


Aug.1.2021 Copyright 2021 HIROSE ELECTRIC CO., LTD. All Rights Reserved.  
 In case of consideration for using Automotive equipment / device which demand high reliability, kindly contact our sales window correspondents.



HRS DRAWING FOR REFERENCE

NO.	MATERIAL	FINISH . REMARKS	NO.	MATERIAL	FINISH . REMARKS
3	Steel	Over Plating:Nickel 0.8µm min Under Plating:Copper 2µm min	6	Steel	Over Plating:Nickel 0.8µm min Under Plating:Copper 2µm min
2	Steel	Over Plating:Nickel 3µm min Under Plating:Copper 2µm min	5	Steel	Over Plating:Nickel 0.8µm min Under Plating:Copper 2µm min
1	ABS	(2.5PB 6/2)	4	Steel	Over Plating:Nickel 0.8µm min Under Plating:Copper 2µm min

UNITS	SCALE	COUNT	DESCRIPTION OF REVISIONS	DESIGNED	CHECKED	DATE
mm	1 : 1	△				
<b>HRS</b> HIROSE ELECTRIC CO., LTD.			APPROVED : NM. NISHIMATSU 15.12.17 CHECKED : NM. NISHIMATSU 15.12.17 DESIGNED : MO. SHIMOYAMA 15.12.17 DRAWN : MO. SHIMOYAMA 15.12.17	DRAWING NO. EDC-008840-50-00 PART NO. HDE-CTF(50) CODE NO. CL211-0159-8-50		

# Mouser Electronics

Authorized Distributor

Click to View Pricing, Inventory, Delivery & Lifecycle Information:

[Hirose Electric:](#)

[HDE-CTF\(50\)](#)