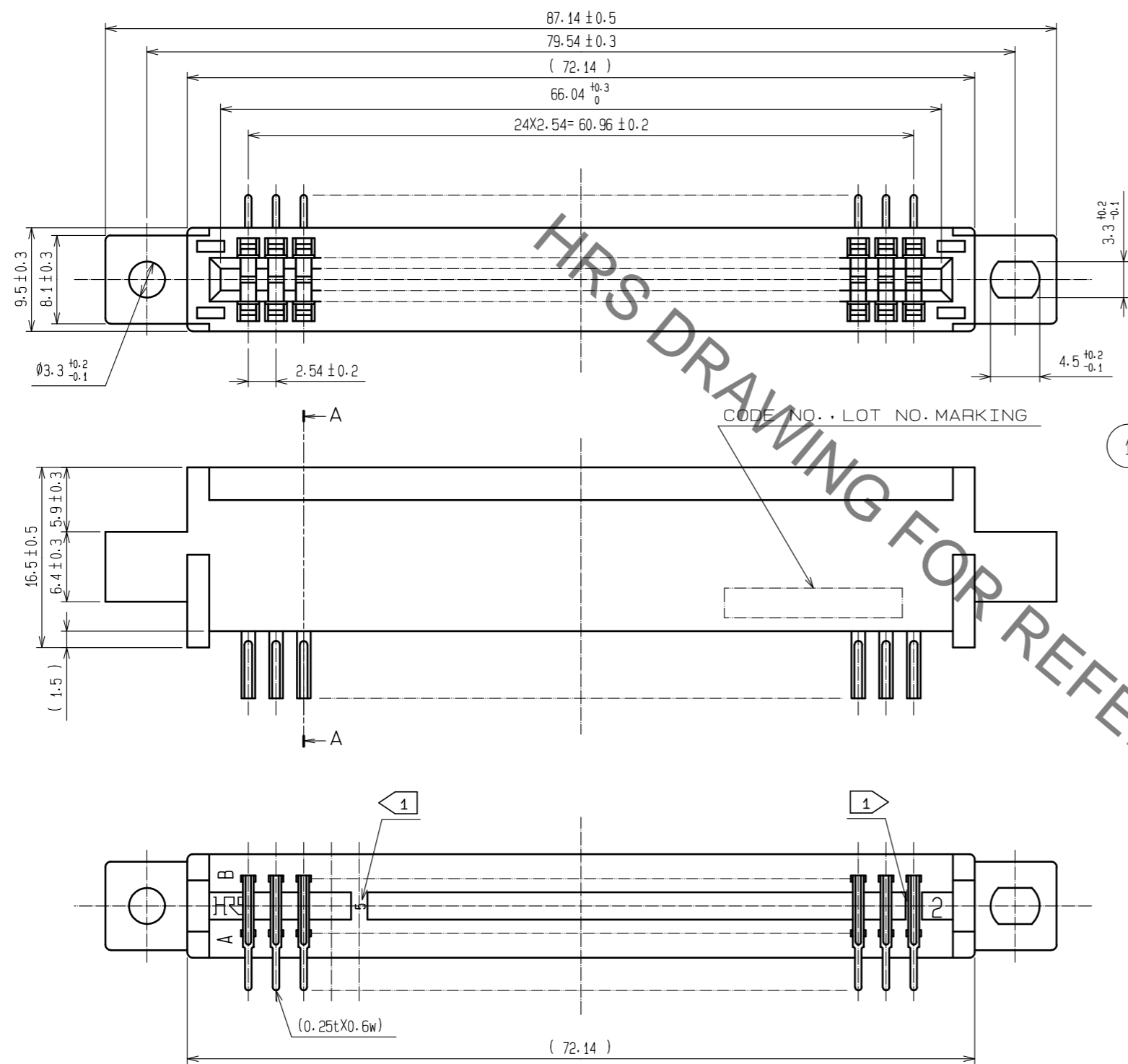
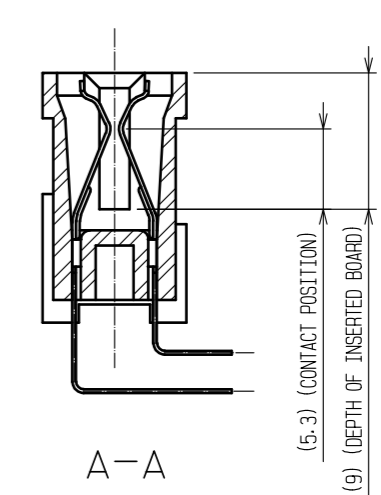
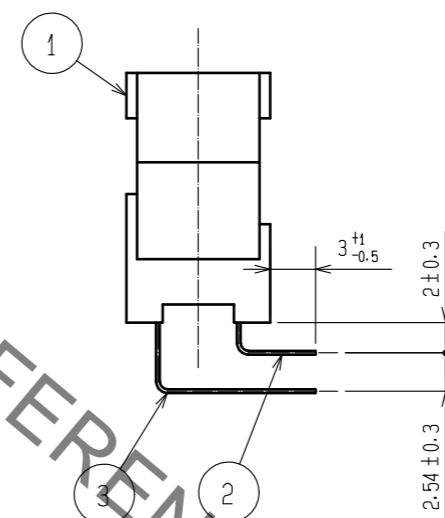
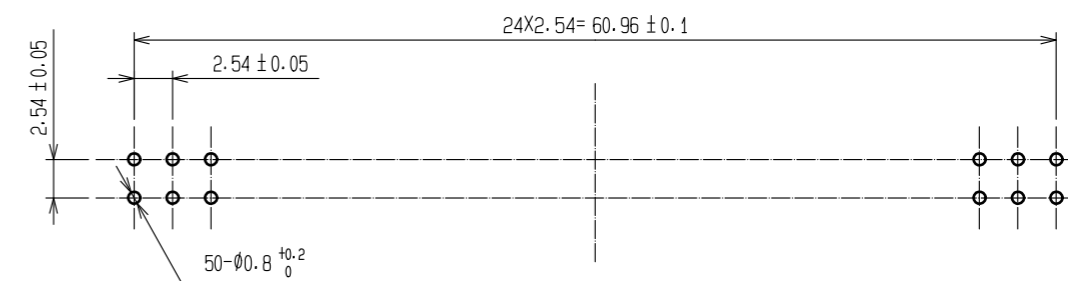


Aug.1.2021 Copyright 2021 HIROSE ELECTRIC CO., LTD. All Rights Reserved.  
 In case of consideration for using Automotive equipment / device which demand high reliability, kindly contact our sales window correspondents.



RECOMMENDED PC BOARD HOLE PATTERN (t=1.6 ± 0.1)



NOTE ① CONTACT NO. (5, 10, 15, 20, 25)  
 ② POLARIZING KEY CAN BE INSERTED BETWEEN THE FOLLOWING CONTACT POSITIONS.  
 (5~6), (10~11), (15~16), (20~21)

1	PBT	BLACK	UL94V-0	2, 3	PHOSPHOR BRONZE	CONTACT AREA : GOLD 0.05 μm
NO.	MATERIAL	FINISH	REMARKS	NO.	MATERIAL	LEAD AREA : TIN-PLATING 2 μm
						UNDER PLATING: NICKEL 2.5 μm
UNITS		SCALE	COUNT	DESCRIPTION OF REVISIONS		DESIGNED
mm		2 : 1				CHECKED
				APPROVED : NH. NAKATA	17.05.26	DATE
<b>HRS</b>	HIROSE ELECTRIC CO., LTD.			CHECKED : HT. YAMAGUCHI	17.05.25	DRAWING NO. EDC-017937-70-00
				DESIGNED : HR. NAGAYASU	17.05.25	PART NO. CR22-50D-2.54DSA<70>
				DRAWN : HR. NAGAYASU	17.05.25	CODE NO. CL522-0027-5-70

# Mouser Electronics

Authorized Distributor

Click to View Pricing, Inventory, Delivery & Lifecycle Information:

[Hirose Electric:](#)

[CR22-50D-2.54DSA\(70\)](#)