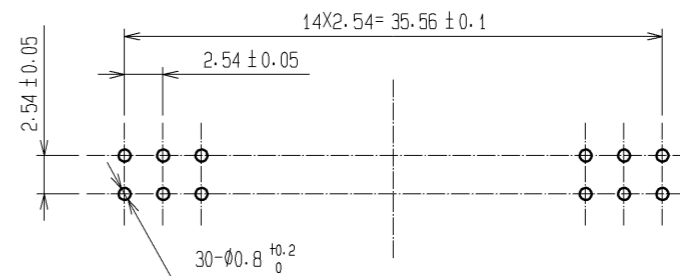
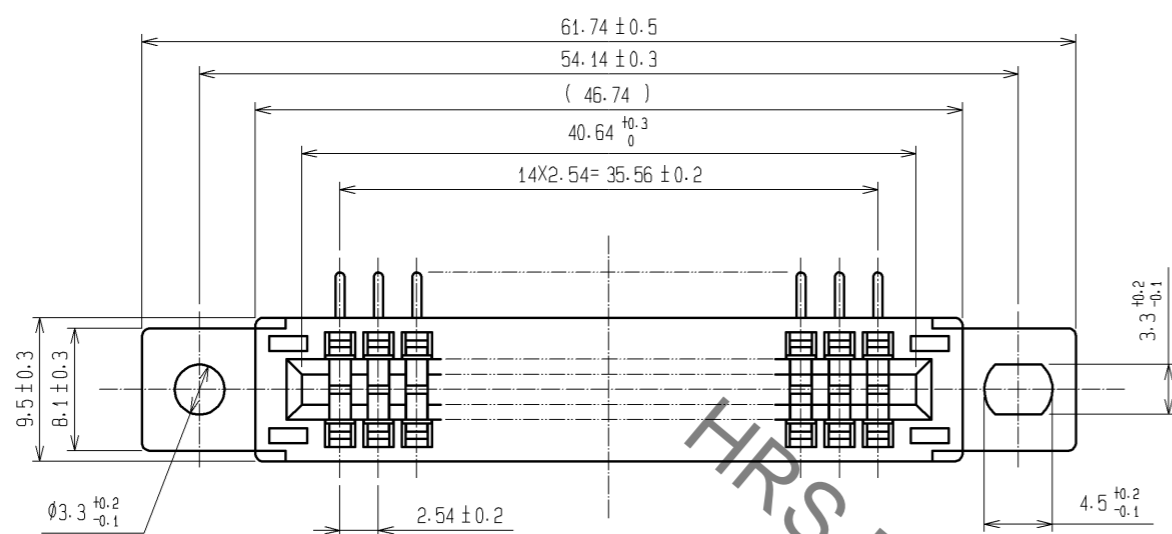
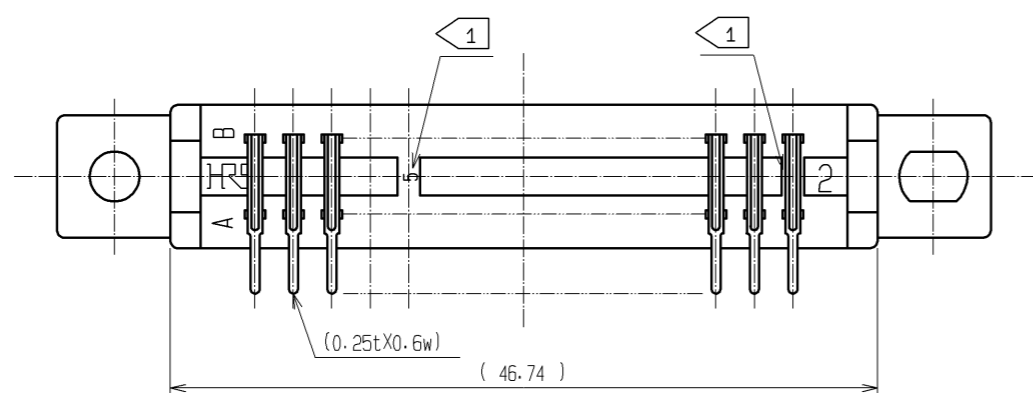
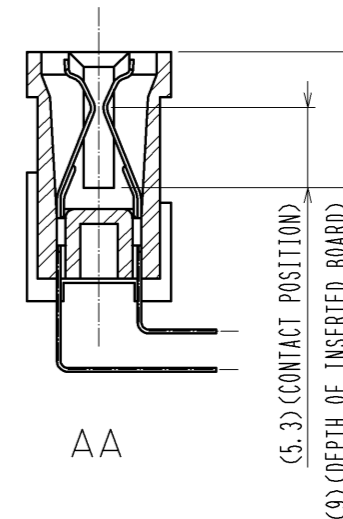
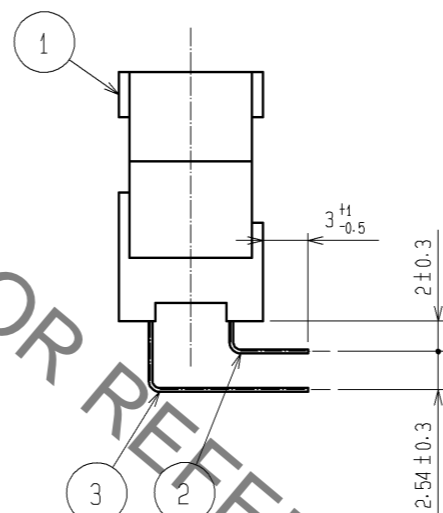
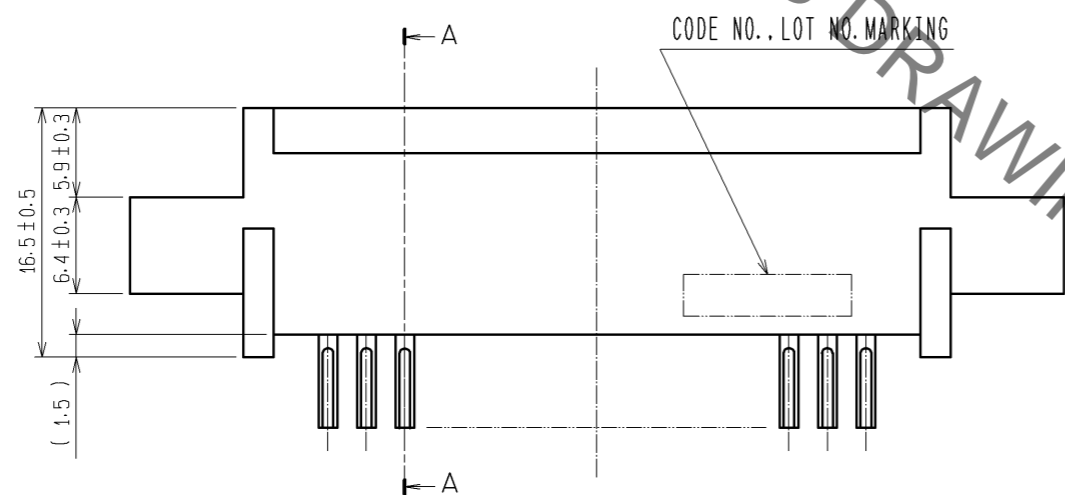


Jul.1.2021 Copyright 2021 HIROSE ELECTRIC CO., LTD. All Rights Reserved.  
 In case of consideration for using Automotive equipment / device which demand high reliability, kindly contact our sales window correspondents.



RECOMMENDED PC BOARD HOLE PATTERN (t=1.6±0.1)



NOTE 1 CONTACT NO. (5, 10, 15)  
 2 A POLARIZING KEY INSERTED BETWEEN THE FOLLOWING CONTACT POSITIONS.  
 (5~6), (10~11)

1	PBT	BLACK	UL94V-0	2, 3	PHOSPHOR BRONZE	CONTACT AREA: Ni2.5µm+Au0.05µm		
NO.	MATERIAL	FINISH	REMARKS	NO.	MATERIAL	FINISH		
						DIP AREA: Ni2.5µm+Sn2µm		
UNITS	mm	SCALE	2 : 1	COUNT	DESCRIPTION OF REVISIONS	DESIGNED	CHECKED	DATE
		APPROVED : KI. AKIYAMA 09.05.20 CHECKED : NH. SUGITA 09.05.20 DESIGNED : HT. SUGIMURA 09.05.20 DRAWN : CR. TAKESHIMA 09.05.20		DRAWING NO. EDC3-018055-01 PART NO. CR22-30D-2.54DSA<70> CODE NO. CL522-0023-4-70		1/1		

# Mouser Electronics

Authorized Distributor

Click to View Pricing, Inventory, Delivery & Lifecycle Information:

[Hirose Electric:](#)

[CR22-30D-2.54DSA\(70\)](#)