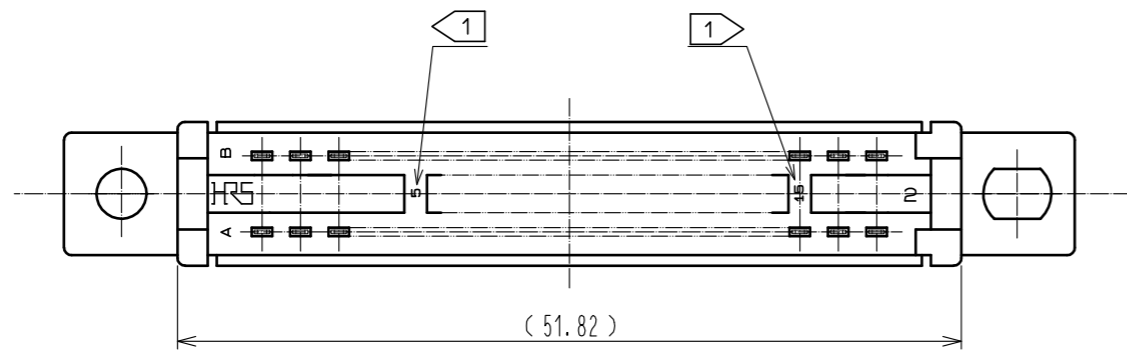
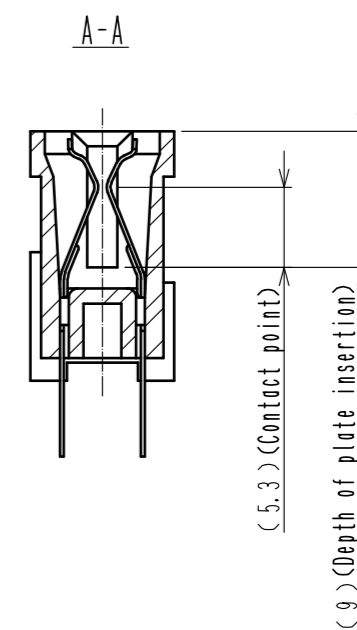
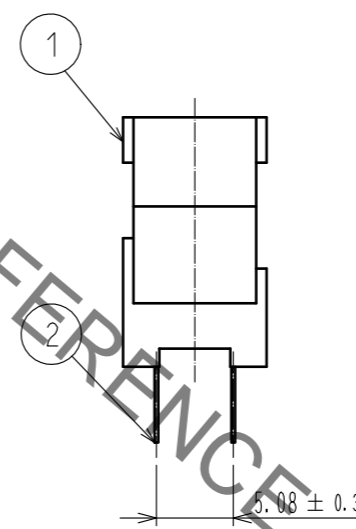
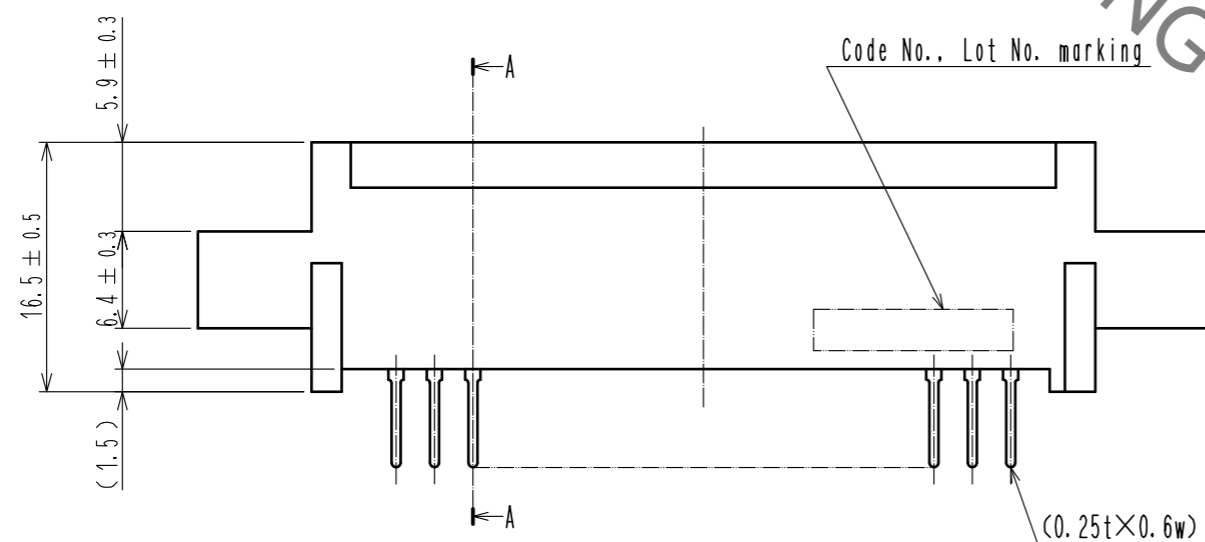
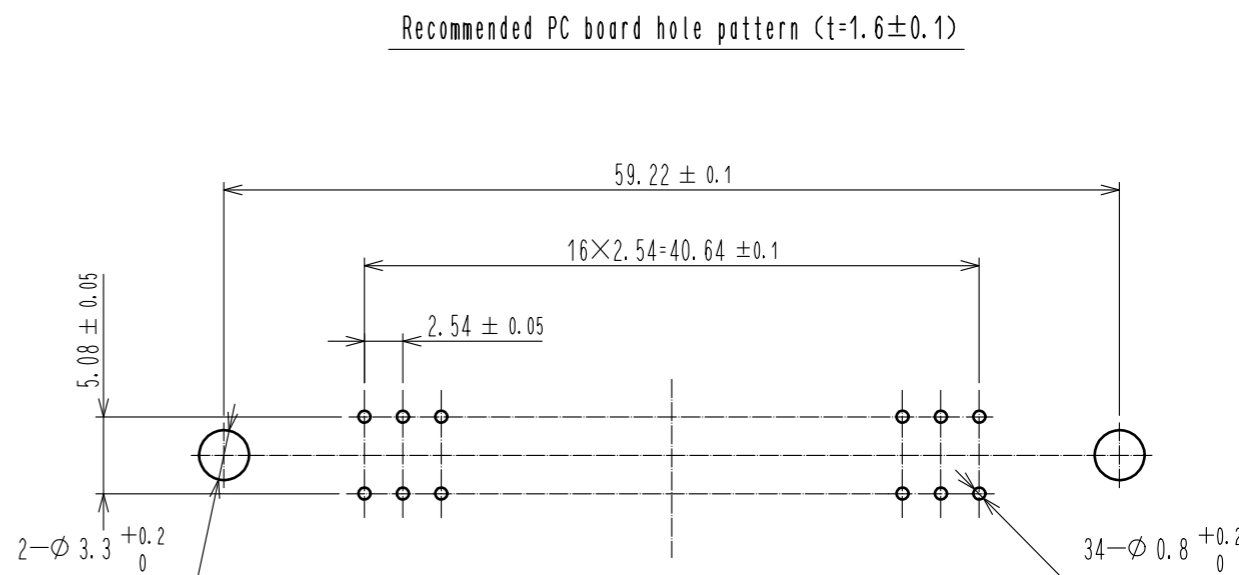
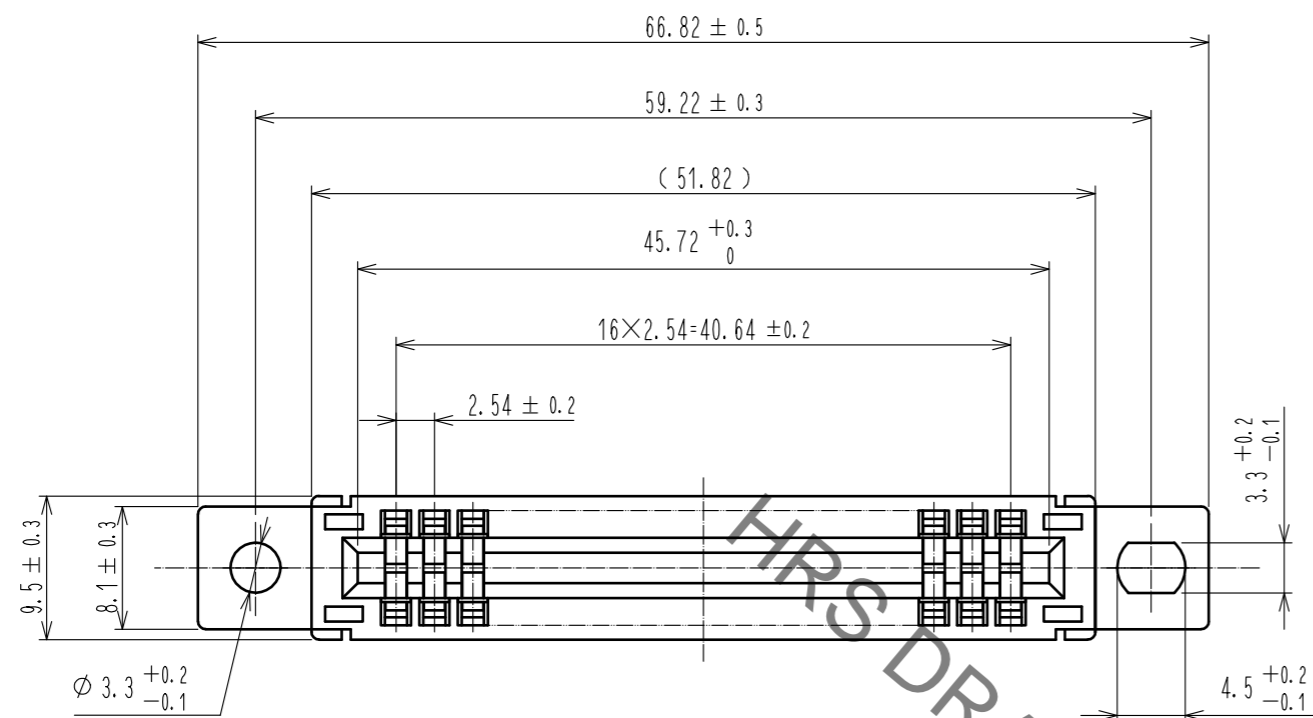


Aug.1.2021 Copyright 2021 HIROSE ELECTRIC CO., LTD. All Rights Reserved.
In case of consideration for using Automotive equipment / device which demand high reliability, kindly contact our sales window correspondents.



- Notes
- 1 Contact No. (5, 10, 15) are shown.
 - 2 A polarizing key inserted between the following contact positions. (5 to 6), (10 to 11), (15 to 16).
 - 3 The dimensions in parentheses are for reference.

1	PBT	BLACK	UL94V-0	2	PHOSPHOR BRONZE	<Contact area>Ni2.5µm+Au0.05µm		
NO.	MATERIAL	FINISH	REMARKS	NO.	MATERIAL	<Mounting area>Ni2.5µm+Sn2µm		
UNITS	mm	SCALE	2 : 1	COUNT	DESCRIPTION OF REVISIONS	DESIGNED	CHECKED	DATE
HRS HIROSE ELECTRIC CO., LTD.		APPROVED	: HT. YAMAGUCHI	18.06.25	DRAWING NO.	EDC-017827-70-01		
		CHECKED	: HT. YAMAGUCHI	18.06.25	PART NO.	CR22-34D-2.54DS(70)		
		DESIGNED	: TY. EDAGAWA	18.06.25	CODE NO.	CL522-0011-5-70		
		DRAWN	: MK. OKI	18.06.21		1/1		

Mouser Electronics

Authorized Distributor

Click to View Pricing, Inventory, Delivery & Lifecycle Information:

[Hirose Electric:](#)

[CR22-34D-2.54DS\(70\)](#)