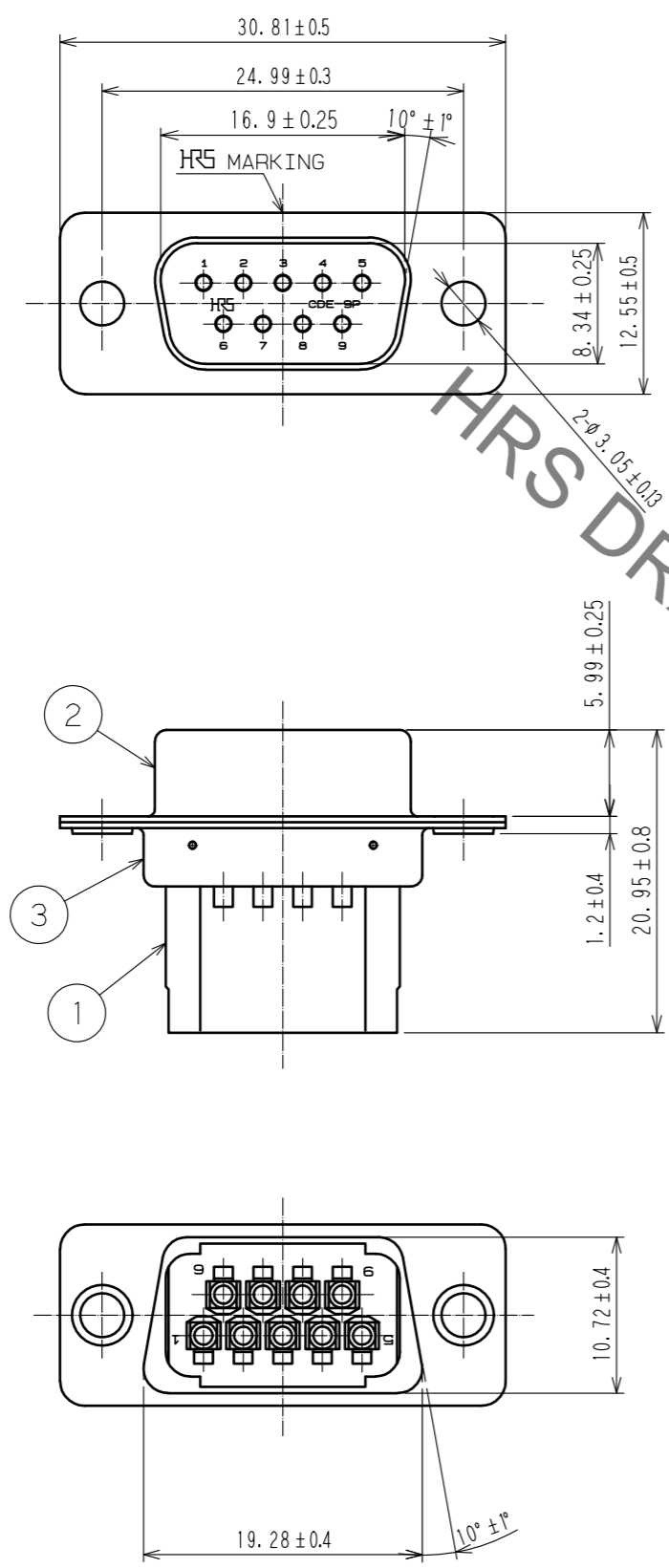


Aug.1.2021 Copyright 2021 HIROSE ELECTRIC CO., LTD. All Rights Reserved.
 In case of consideration for using Automotive equipment / device which demand high reliability, kindly contact our sales window correspondents.



2	STEEL	NICKEL PLATING 2μm						
1	PBT	UL94V-0 BLACK	3	STEEL	NICKEL PLATING 2μm			
NO.	MATERIAL	FINISH . REMARKS	NO.	MATERIAL	FINISH . REMARKS			
UNITS mm			SCALE 2 : 1	COUNT 	DESCRIPTION OF REVISIONS	DESIGNED	CHECKED	DATE
HRS HIROSE ELECTRIC CO., LTD.		APPROVED : HO. MIWA	06. 07. 26	DRAWING NO. EDC3-009097-01				
		CHECED : HO. MIWA	06. 07. 26	PART NO. CDE-9P(05)				
		DESIGNED : YH. ENAMI	06. 07. 26	CODE NO. CL211-0186-0-05				
		DRAWN : YH. ENAMI	06. 07. 26					

Mouser Electronics

Authorized Distributor

Click to View Pricing, Inventory, Delivery & Lifecycle Information:

[Hirose Electric:](#)

[CDE-9P\(05\)](#)