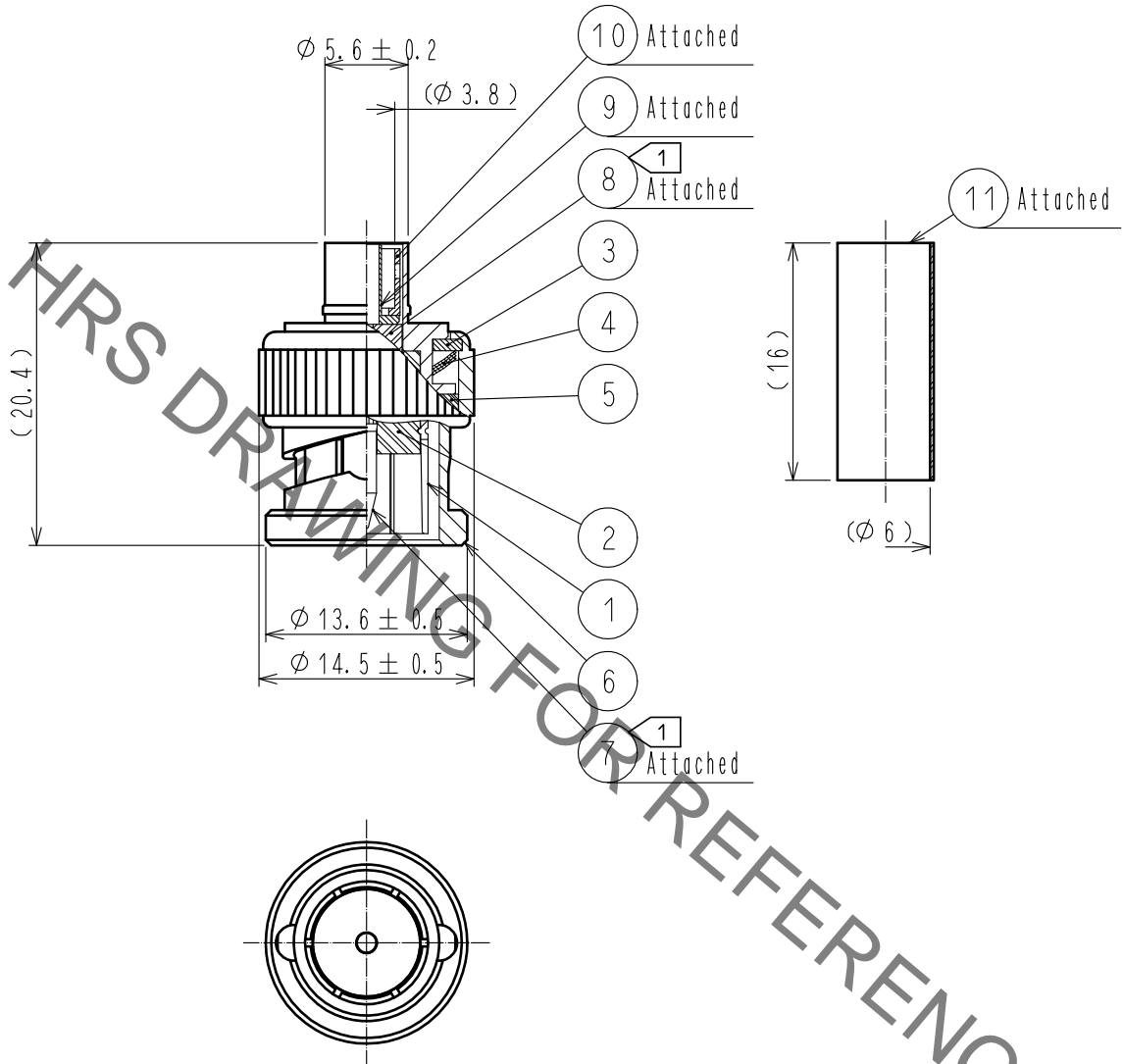


Aug.1.2021 Copyright 2021 HIROSE ELECTRIC CO., LTD. All Rights Reserved.
 In case of consideration for using Automotive equipment / device which demand high reliability, kindly contact our sales window correspondents.

【 Assemble tool 】 For outer conductor crimping : HT303/HRM-T-4(58A/U hole)



Note 1 Part 7 and 8 will be attached in a sub assembled state.

6	BRASS	NICKEL PLATING					
5	SILICONE RUBBER		11	POLYOLEFIN	HEAT SHRINK TUBING(BLACK)		
4	BERYLLIUM COPPER	SILVER PLATING	10	BRASS	NICKEL PLATING		
3	BRASS	NICKEL PLATING	9	BRASS	NICKEL PLATING		
2	PTFE		8	PTFE			
1	BRASS	NICKEL PLATING	7	BRASS	GOLD PLATING		
NO.	MATERIAL	FINISH .	REMARKS	NO.	MATERIAL	FINISH .	REMARKS

UNITS mm		SCALE 2 : 1	COUNT 	DESCRIPTION OF REVISIONS	DESIGNED	CHECKED	DATE
HIROSE ELECTRIC CO., LTD.				APPROVED : KY. SHIMIZU 20191121 CHECKED : KY. SHIMIZU 20191121 DESIGNED : RO. YOKOYAMA 20191121 DRAWN : ST. KISHI 20191121	DRAWING NO. EDC-364433-00-00 PART NO. BNC(75)-P-1.5CW CODE NO. CL302-0003-0-00	1/1	

Mouser Electronics

Authorized Distributor

Click to View Pricing, Inventory, Delivery & Lifecycle Information:

[Hirose Electric:](#)

[BNC\(75\)-P-1.5CW](#)