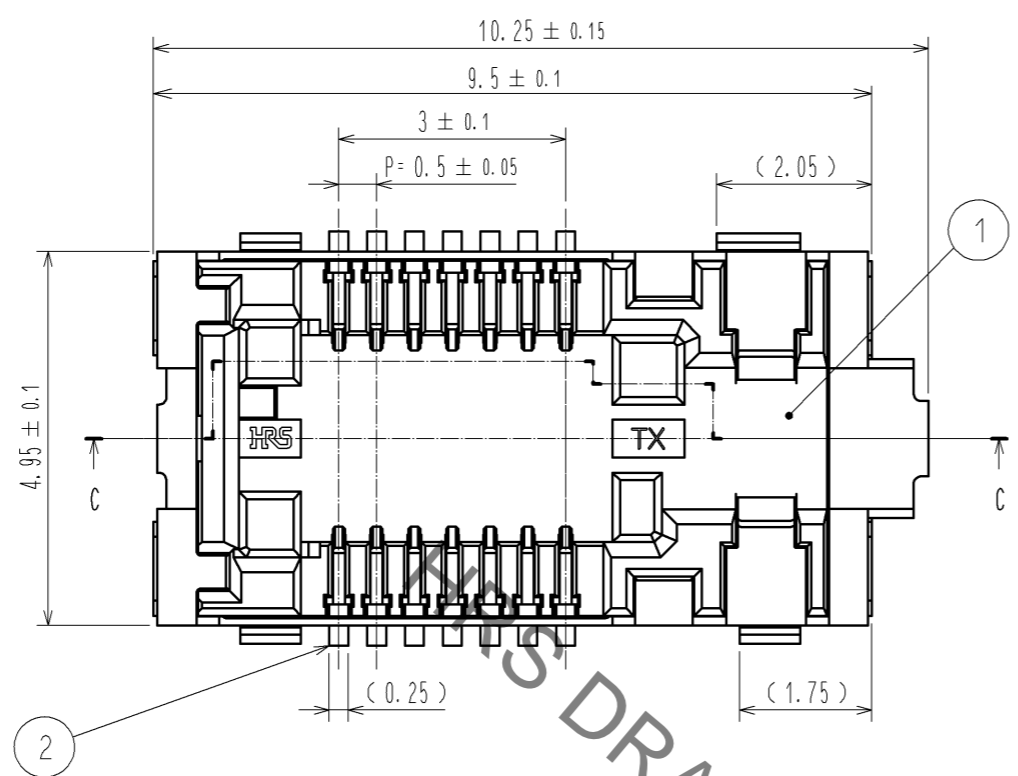
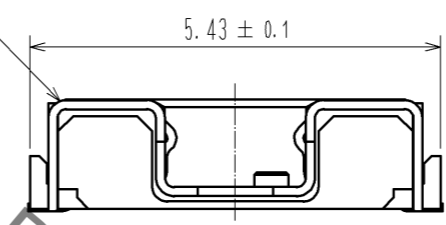
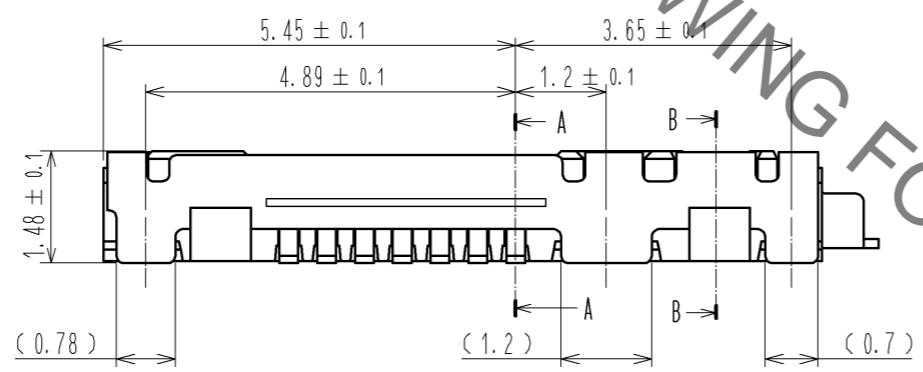
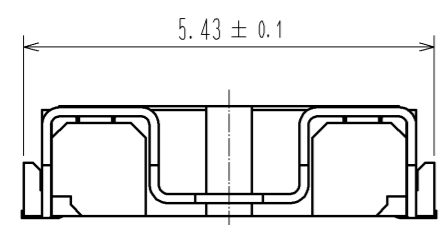


Jul.1.2021 Copyright 2021 HIROSE ELECTRIC CO., LTD. All Rights Reserved.
 In case of consideration for using Automotive equipment / device which demand high reliability, kindly contact our sales window correspondents.

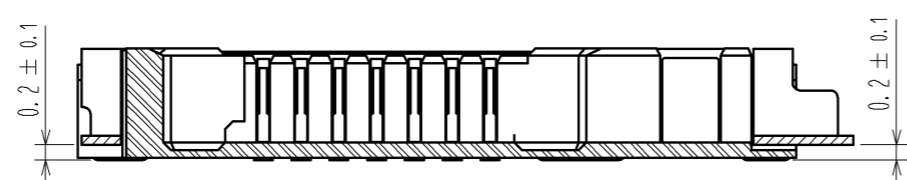
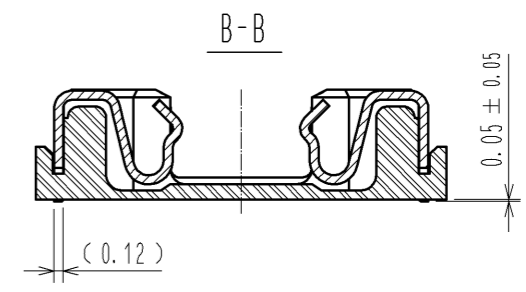
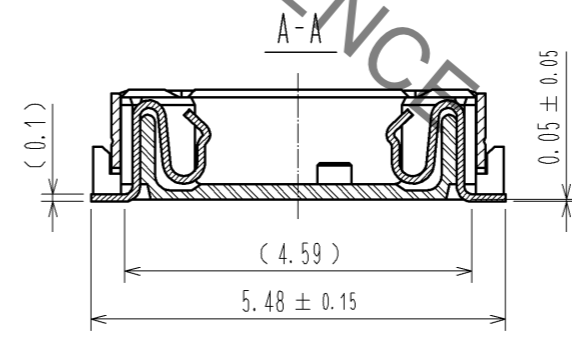
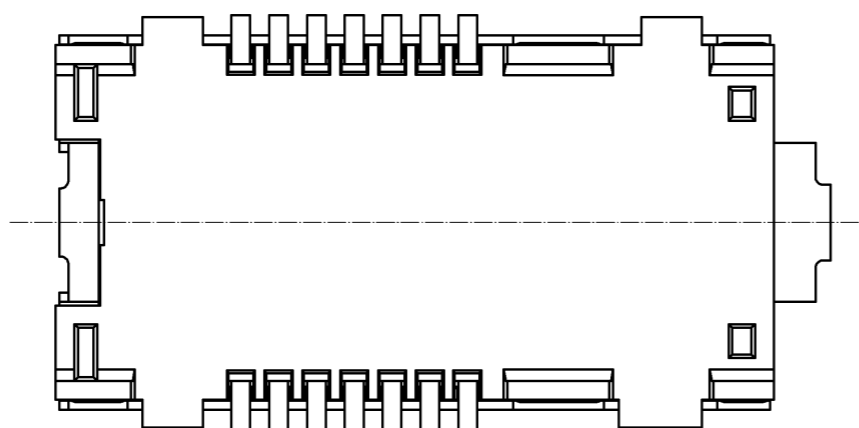


- NOTE. 1 All lead co-planarity shall be 0.1mm maximum.
- 2 Contact plating
 - Contact area :Gold 0.05um MIN
 - SMT lead :Gold 0.05um MIN
 - Under plating:Nickel 1um MIN
 There shall be the nickel barrier between contact and SMT area
 - 3 Shell plating
 - All area :Gold 0.05um MIN
 - Under plating:Nickel 1um MIN 2um MAX
 - 4 The peeling strength of cover tape shall comply with IEC 60286-3 (JIS C 0806-3).
 - 5 Embossed carrier tape has the sprocket hole on one side.
 - 6 Recommended land pattern is shown. Please do not arrange the via without resist in the hatching part as shown in the figure.
 - 7 The connector dimension when the plug engages is shown.
 - 8 Please note that it becomes impossible to use standard extraction tool (BF4-T1) when other parts are in the crossing hatching part as shown in the figure.
 - 9 Please layout the PCB pattern and fiber alignment, considering not to overload fiber. (Please see ETAD-K0398 about connector handling precautions.)
 - 10 Pin assignment and functions are described in the specification of BF4M plug connector (ETAD-K0485)
 - 11 Please see drawing EDC3-178303-10 for 10pcs quantity packing product BF4-TX-14DS-0.5V(10)



Part No. & Code No. list corresponding to quantity

| Quantity | Part No. | Code No. |
|------------|----------------------|------------------|
| 500 pcs. | BF4-TX-14DS-0.5V | CL0831-0008-6-00 |
| 1,000 pcs. | BF4-TX-14DS-0.5V(01) | CL0831-0008-6-01 |
| 2,000 pcs. | BF4-TX-14DS-0.5V(02) | CL0831-0008-6-02 |
| 10 pcs. | BF4-TX-14DS-0.5V(10) | CL0831-0008-6-10 |
| 100 pcs. | BF4-TX-14DS-0.5V(11) | CL0831-0008-6-11 |



| NO. | MATERIAL | FINISH . | REMARKS | NO. | MATERIAL | FINISH . | REMARKS |
|-----|-----------------|----------|----------|-----|-----------|----------|-------------------------------|
| 3 | Phosphor Bronze | 3 | | 6 | PS | | Black (Plastic reel) |
| 2 | Phosphor Bronze | 2 | | 5 | Polyester | | Clear (Cover tape) |
| 1 | LCP | | UL94 V-0 | 4 | PS | | Clear (Embossed carrier tape) |

| UNITS | SCALE | COUNT | DESCRIPTION OF REVISIONS | DESIGNED | CHECKED | DATE |
|-------|--------|-------|--------------------------|------------|-------------|----------|
| mm | 10 : 1 | 1 | DIS-K-003044 | KS. JOKURA | SJ. SHIMIZU | 13.08.23 |

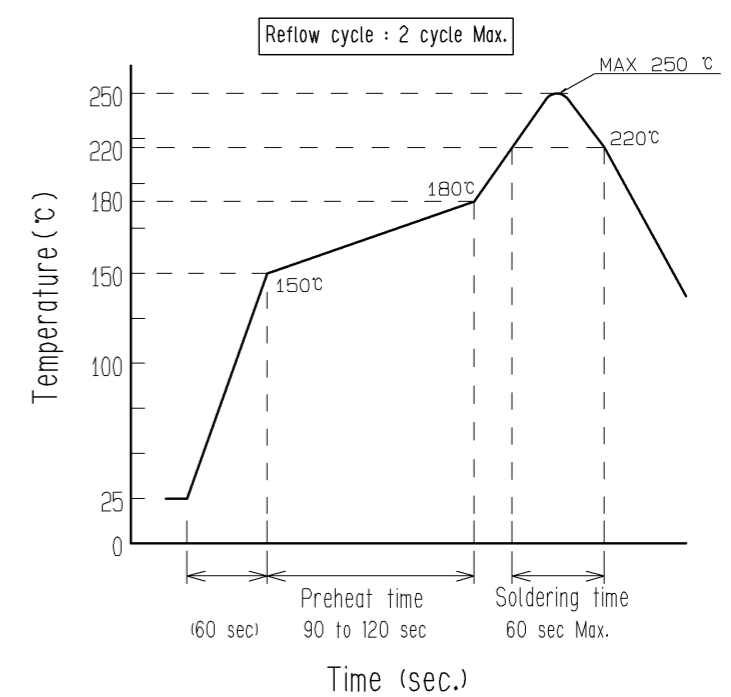
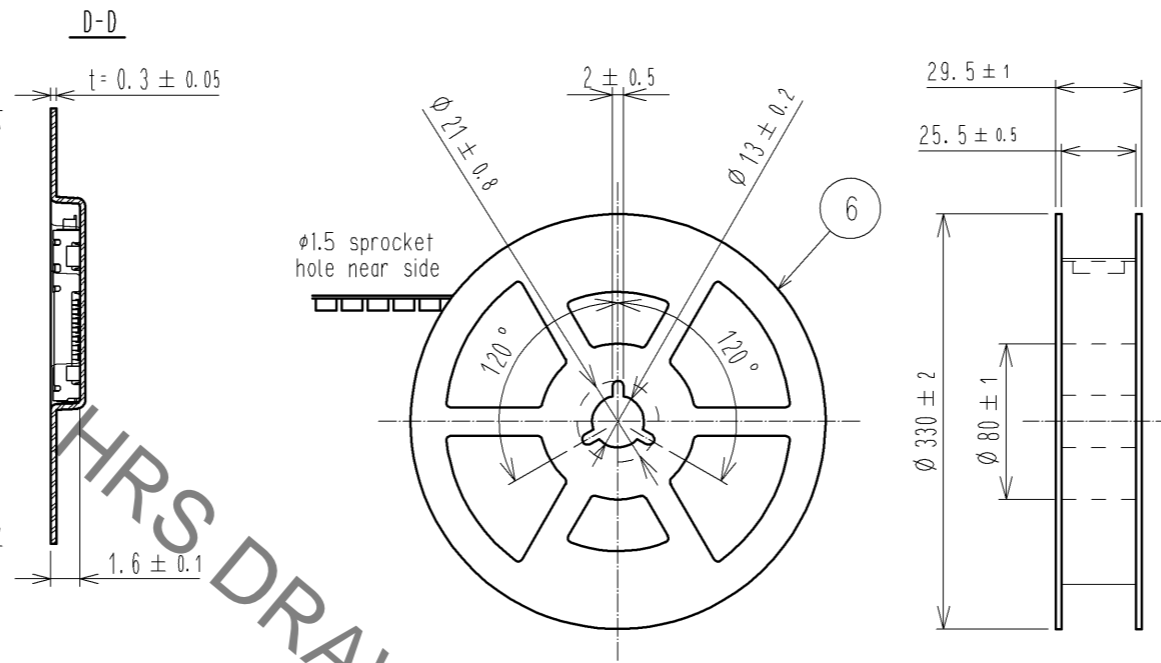
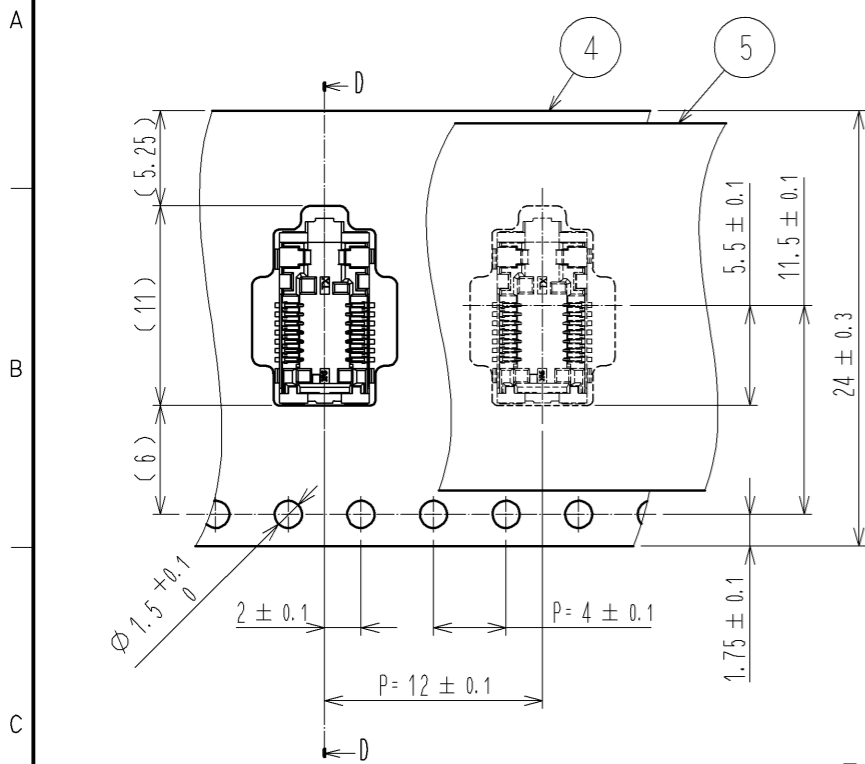
| APPROVED | DATE | DRAWING NO. |
|---------------|----------|----------------------|
| MT. SHIBUTANI | 12.10.29 | EDC3-178301-00 |
| CHECKED | DATE | PART NO. |
| SJ. SHIMIZU | 12.10.29 | BF4-TX-14DS-0.5V(**) |
| DESIGNED | DATE | CODE NO. |
| KS. JOKURA | 12.10.26 | |
| DRAWN | DATE | |
| KS. JOKURA | 12.10.26 | |

Jul.1.2021 Copyright 2021 HIROSE ELECTRIC CO., LTD. All Rights Reserved.
 In case of consideration for using Automotive equipment / device which demand high reliability, kindly contact our sales window correspondents.

Dimensions of embossed carrier tape (Scale : FREE)

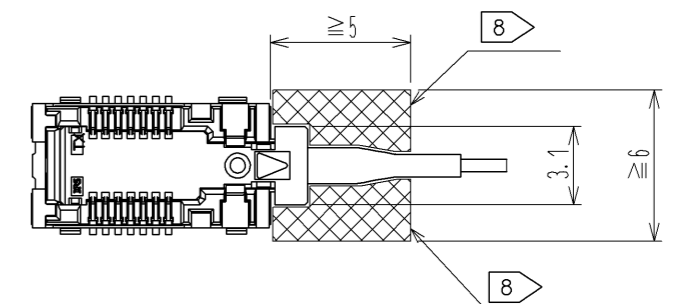
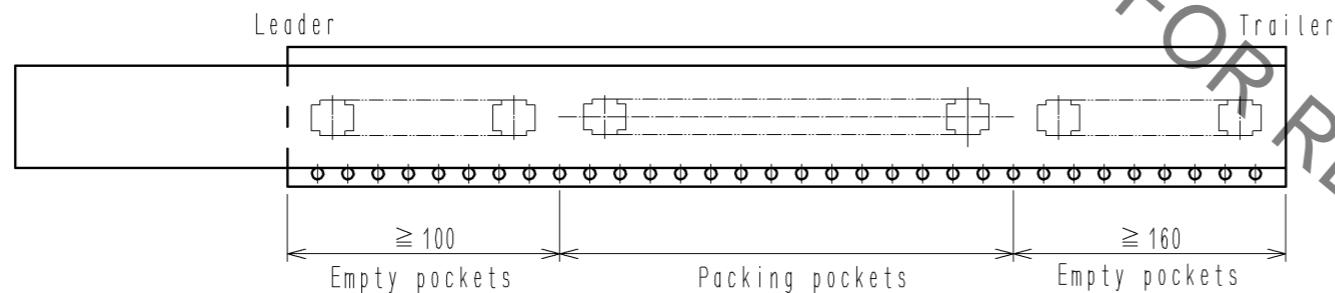
Packing reel (Scale : FREE)

Recommended reflow temperature profile using Lead-Free solder paste.



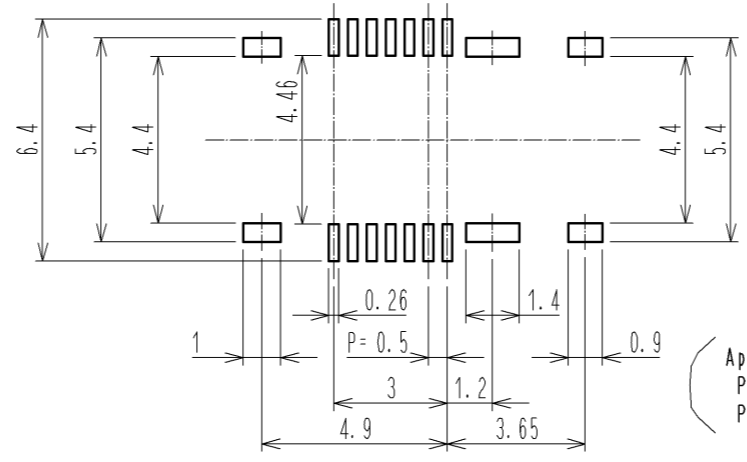
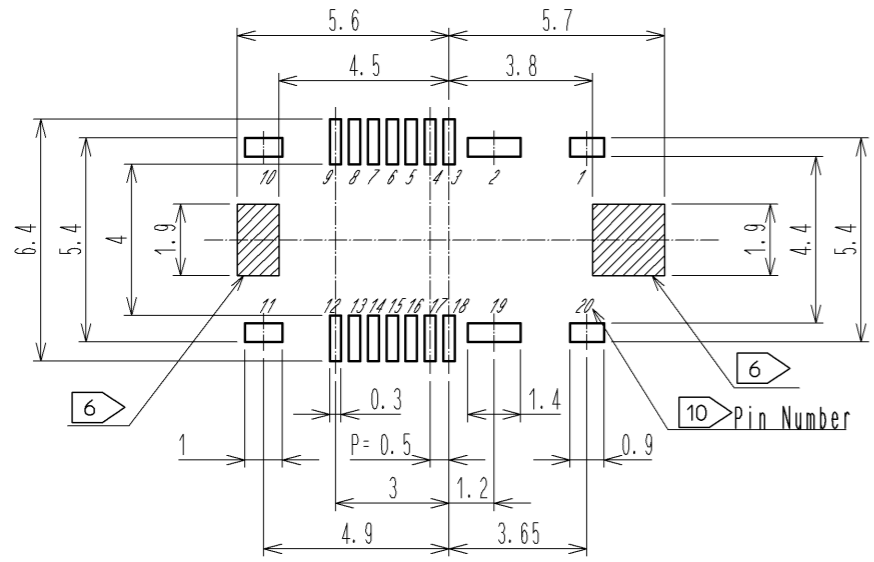
Taping direction (Scale : FREE)

Dimensions of engaged connector (Scale : FREE)

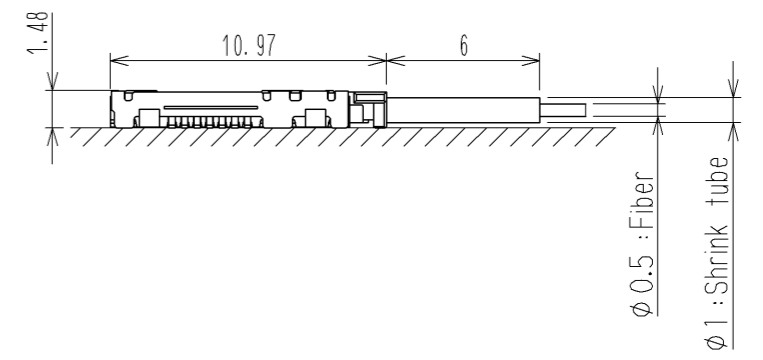


Recommended PCB land pattern

Recommended metal mask dimensions (Mask thickness : 120 μm)



Aperture ratio
 Pads mounted contacts : 70%
 Pads mounted shell : 100%



| | | |
|------------|-------------|----------------------|
| HRS | DRAWING NO. | EDC3-178301-00 |
| | PART NO. | BF4-TX-14DS-0.5V(**) |
| | CODE NO. | |
| | | |

Mouser Electronics

Authorized Distributor

Click to View Pricing, Inventory, Delivery & Lifecycle Information:

[Hirose Electric:](#)

[BF4-TX-14DS-0.5V\(01\)](#)