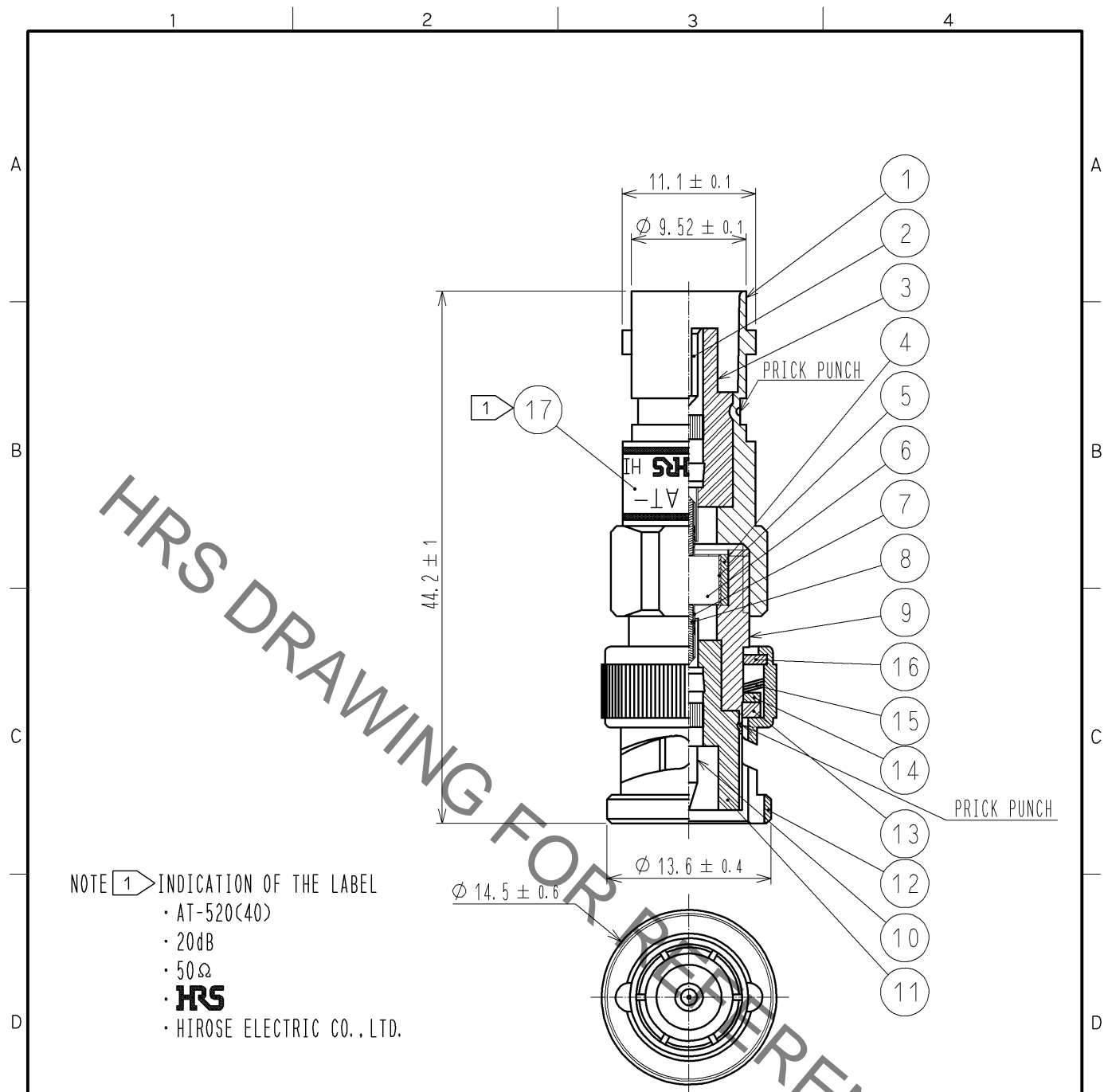


Jul.1.2021 Copyright 2021 HIROSE ELECTRIC CO., LTD. All Rights Reserved.
 In case of consideration for using Automotive equipment / device which demand high reliability, kindly contact our sales window correspondents.



NOTE 1 INDICATION OF THE LABEL
 • AT-520(40)
 • 20dB
 • 50Ω
 • **HRS**
 • HIROSE ELECTRIC CO., LTD.

8	PIANO WIRE		17		LABEL
7	BERYLLIUM COPPER	GOLD PLATING	16	BRASS	NICKEL PLATING
6	ALUMINA		15	BERYLLIUM COPPER	SILVER PLATING
5	BERYLLIUM COPPER	GOLD PLATING	14	BRASS	NICKEL PLATING
4	BRASS	NICKEL PLATING	13	SILICON RUBBER	
3	PTFE		12	BRASS	NICKEL PLATING
2	BERYLLIUM COPPER	GOLD PLATING	11	PTFE	
1	BRASS	NICKEL PLATING	10	BRASS	GOLD PLATING
			9	BRASS	NICKEL PLATING
NO.	MATERIAL	FINISH . REMARKS	NO.	MATERIAL	FINISH . REMARKS

UNITS mm		SCALE 2 : 1	COUNT 	DESCRIPTION OF REVISIONS	DESIGNED	CHECKED	DATE
HIROSE ELECTRIC CO., LTD.		APPROVED : MT. SHIBUTANI	12.01.27	DRAWING NO.	EDC4-030152-01		
		CHECKED : KY. SHIMIZU	12.01.27	PART NO.	AT-520(40)		
		DESIGNED : TK. SAWAGUCHI	12.01.26	CODE NO.	CL354-0040-1-40		
		DRAWN : TK. SAWAGUCHI	12.01.26		1/1		

Mouser Electronics

Authorized Distributor

Click to View Pricing, Inventory, Delivery & Lifecycle Information:

[Hirose Electric:](#)

[AT-520\(40\)](#)