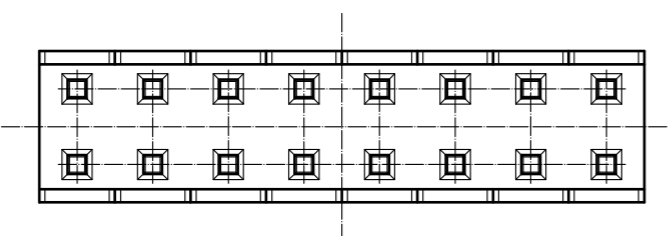
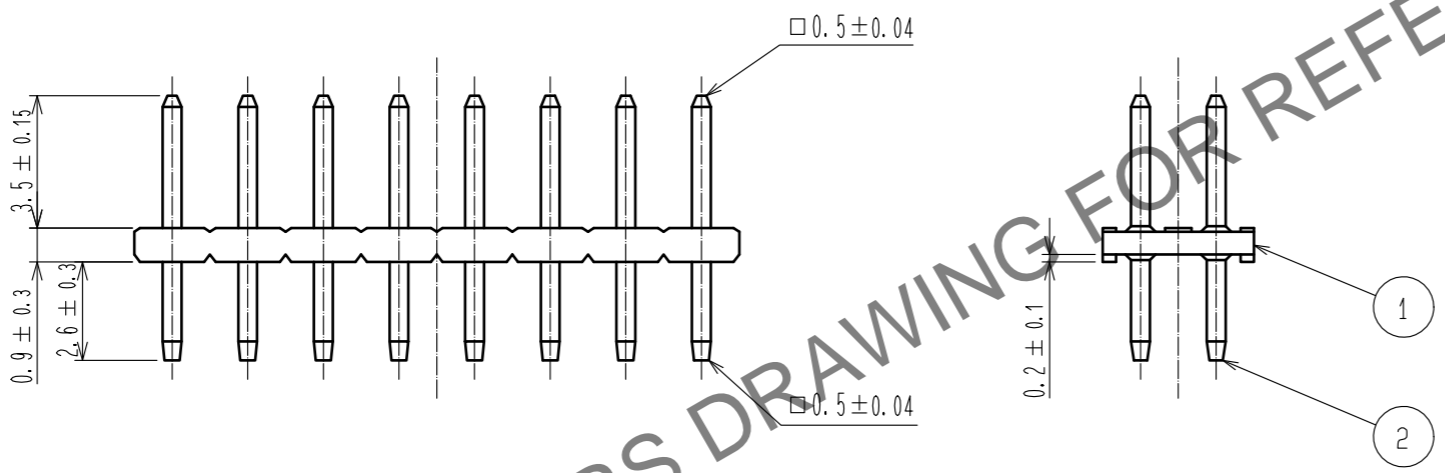
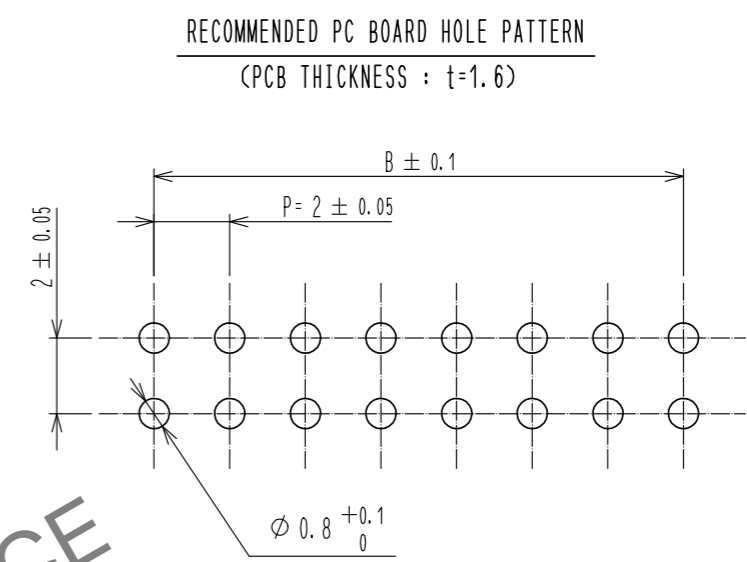
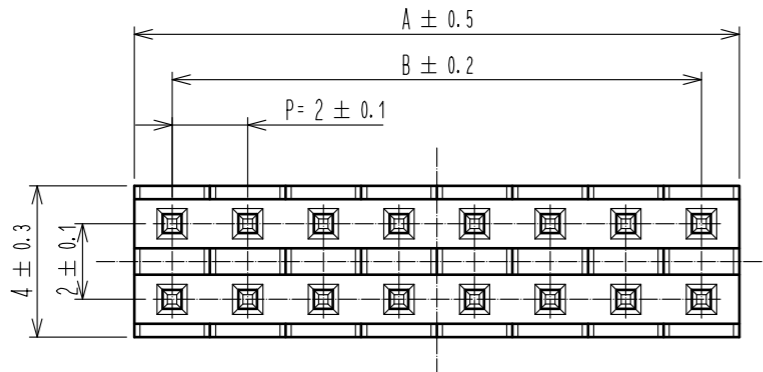


Nov.1.2024 Copyright 2024 HIROSE ELECTRIC CO., LTD. All Rights Reserved.  
In case of consideration for using Automotive equipment / device which demand high reliability, kindly contact our sales window correspondents.



PART NO.	CODE NO.	PIN	A	B
A3C- 2P-2DSA(30)	CL621-0601-0-30	2	2	-
A3C- 4P-2DSA(30)	CL621-0602-3-30	4	4	2
A3C- 6P-2DSA(30)	CL621-0603-6-30	6	6	4
A3C- 8P-2DSA(30)	CL621-0604-9-30	8	8	6
A3C-10P-2DSA(30)	CL621-0605-1-30	10	10	8
A3C-12P-2DSA(30)	CL621-0606-4-30	12	12	10
A3C-14P-2DSA(30)	CL621-0607-7-30	14	14	12
A3C-16P-2DSA(30)	CL621-0608-0-30	16	16	14
A3C-18P-2DSA(30)	CL621-0609-2-30	18	18	16
A3C-20P-2DSA(30)	CL621-0610-1-30	20	20	18
A3C-24P-2DSA(30)	CL621-0612-7-30	24	24	22
A3C-26P-2DSA(30)	CL621-0613-0-30	26	26	24
A3C-28P-2DSA(30)	CL621-0614-2-30	28	28	26
A3C-32P-2DSA(30)	CL621-0615-5-30	32	32	30
A3C-44P-2DSA(30)	CL621-0622-0-30	44	44	42
A3C-48P-2DSA(30)	CL621-0625-9-30	48	48	46
A3C-50P-2DSA(30)	CL621-0628-7-30	50	50	48

1	POLYAMIDE	BLACK	UL94V-0	2	BRASS	CONTACT AREA : GOLD 0.2 $\mu$ m DIP AREA : GOLD FLASH UNDER PLATING : NICKEL 2 $\mu$ m		
NO.	MATERIAL	FINISH	REMARKS	NO.	MATERIAL	FINISH . REMARKS		
UNITS		SCALE	COUNT	DESCRIPTION OF REVISIONS		DESIGNED	CHECKED	DATE
mm		5 : 1						
<b>HRS</b> HIROSE ELECTRIC CO., LTD.		APPROVED : NH. NAKATA	17. 04. 10	DRAWING NO.		EDC-375930-00-00		
		CHECKED : HT. YAMAGUCHI	17. 04. 10	PART NO.		A3C- * P-2DSA(30)		
		DESIGNED : HR. NAGAYASU	17. 04. 10	CODE NO.		CL621		
		DRAWN : HR. NAGAYASU	17. 04. 10					

# Mouser Electronics

Authorized Distributor

Click to View Pricing, Inventory, Delivery & Lifecycle Information:

[Hirose Electric:](#)

[A3C-20P-2DSA\(30\)](#)