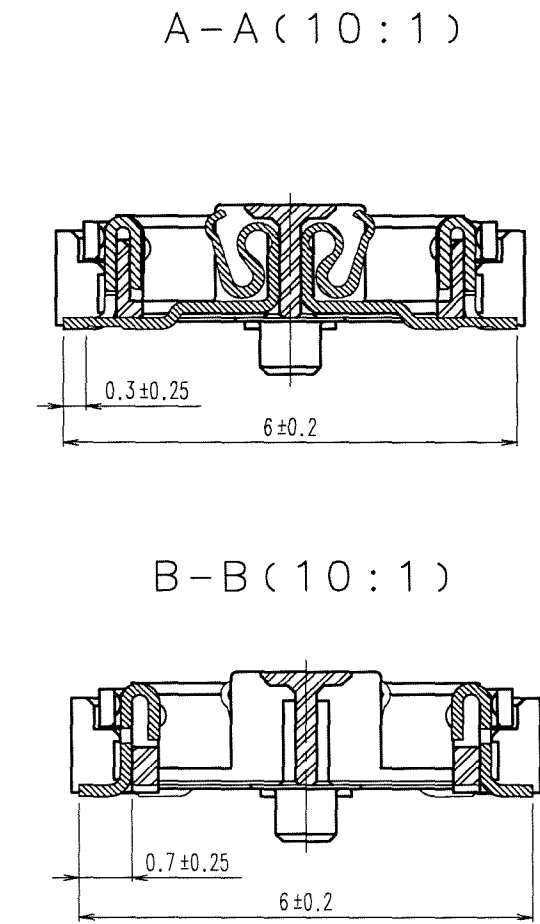
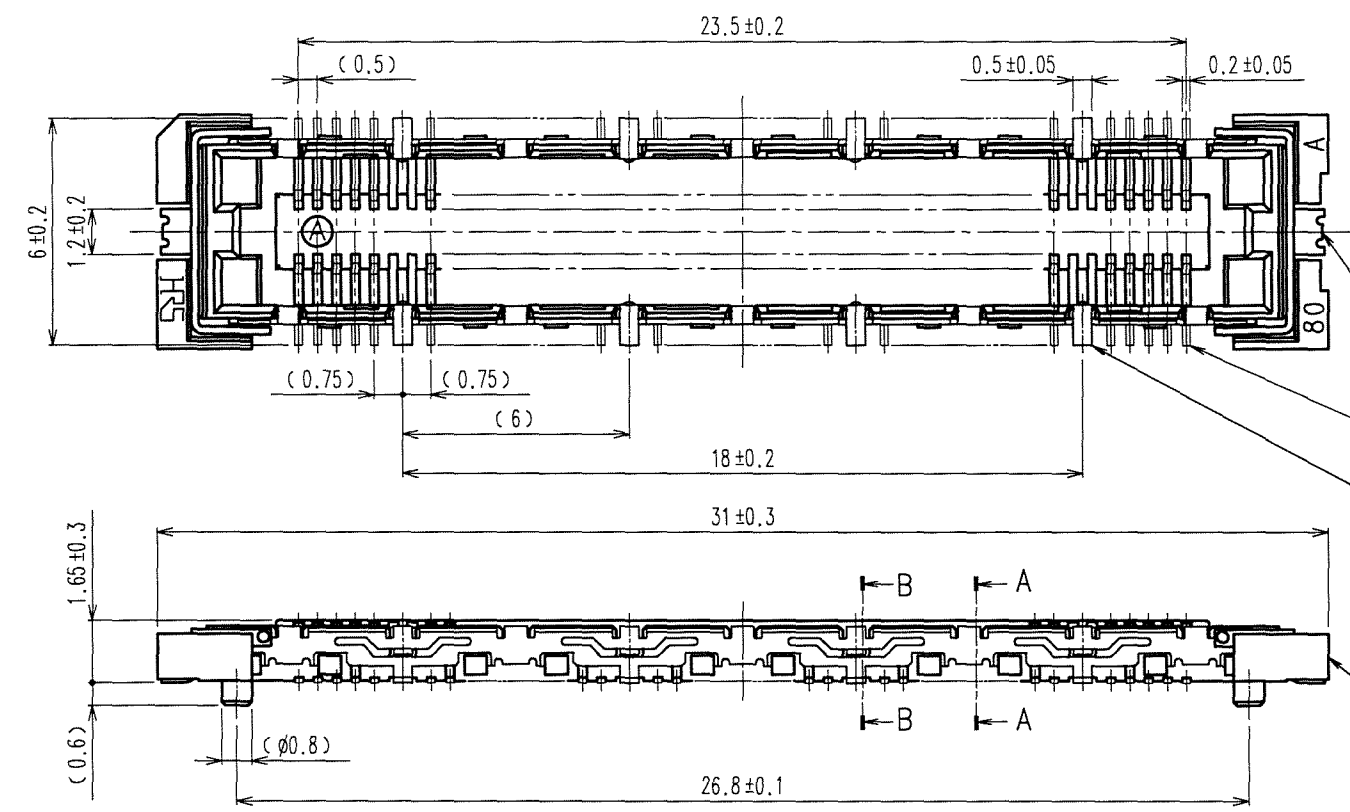
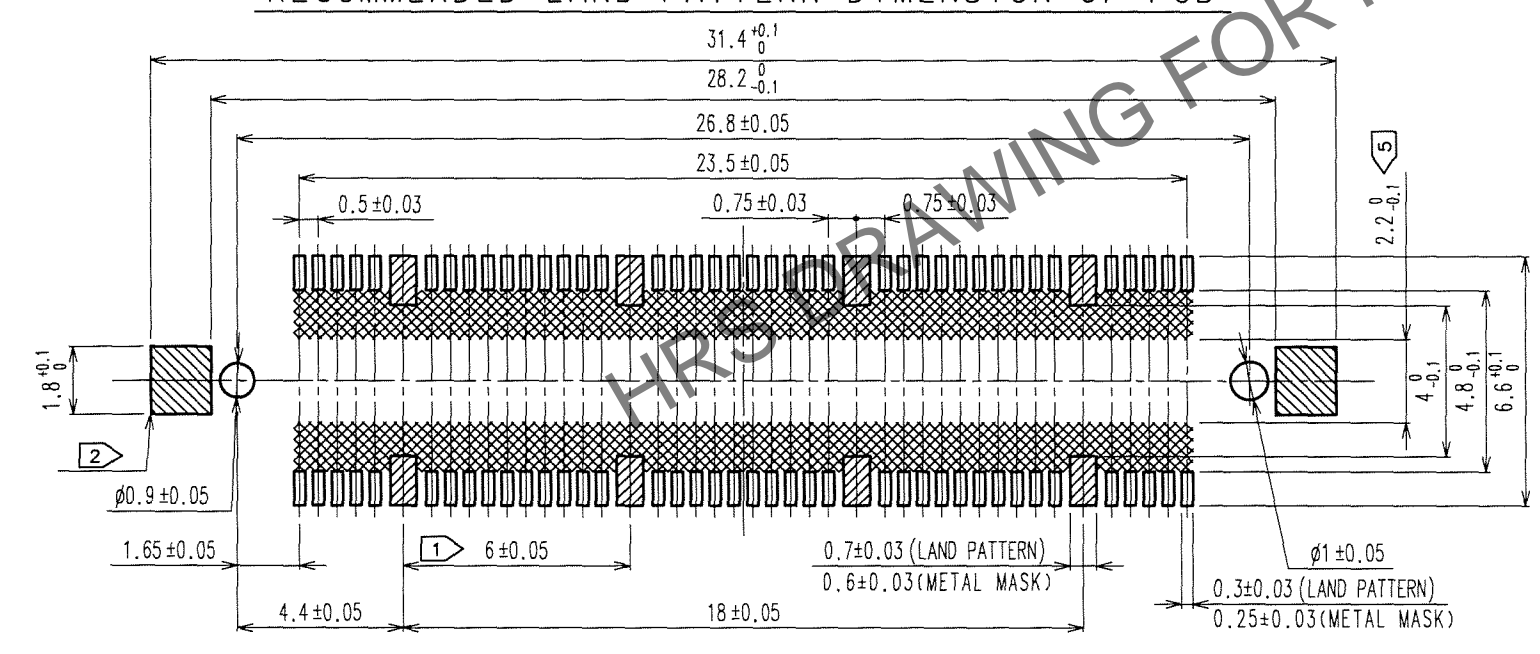


Mar.1.2024 Copyright 2024 HIROSE ELECTRIC CO., LTD. All Rights Reserved.
In case of consideration for using Automotive equipment / device which demand high reliability, kindly contact our sales window correspondents.

COUNT	DESCRIPTION OF REVISIONS	BY	CHKD	DATE	COUNT	DESCRIPTION OF REVISIONS	BY	CHKD	DATE



RECOMMENDED LAND PATTERN DIMENSION OF PCB

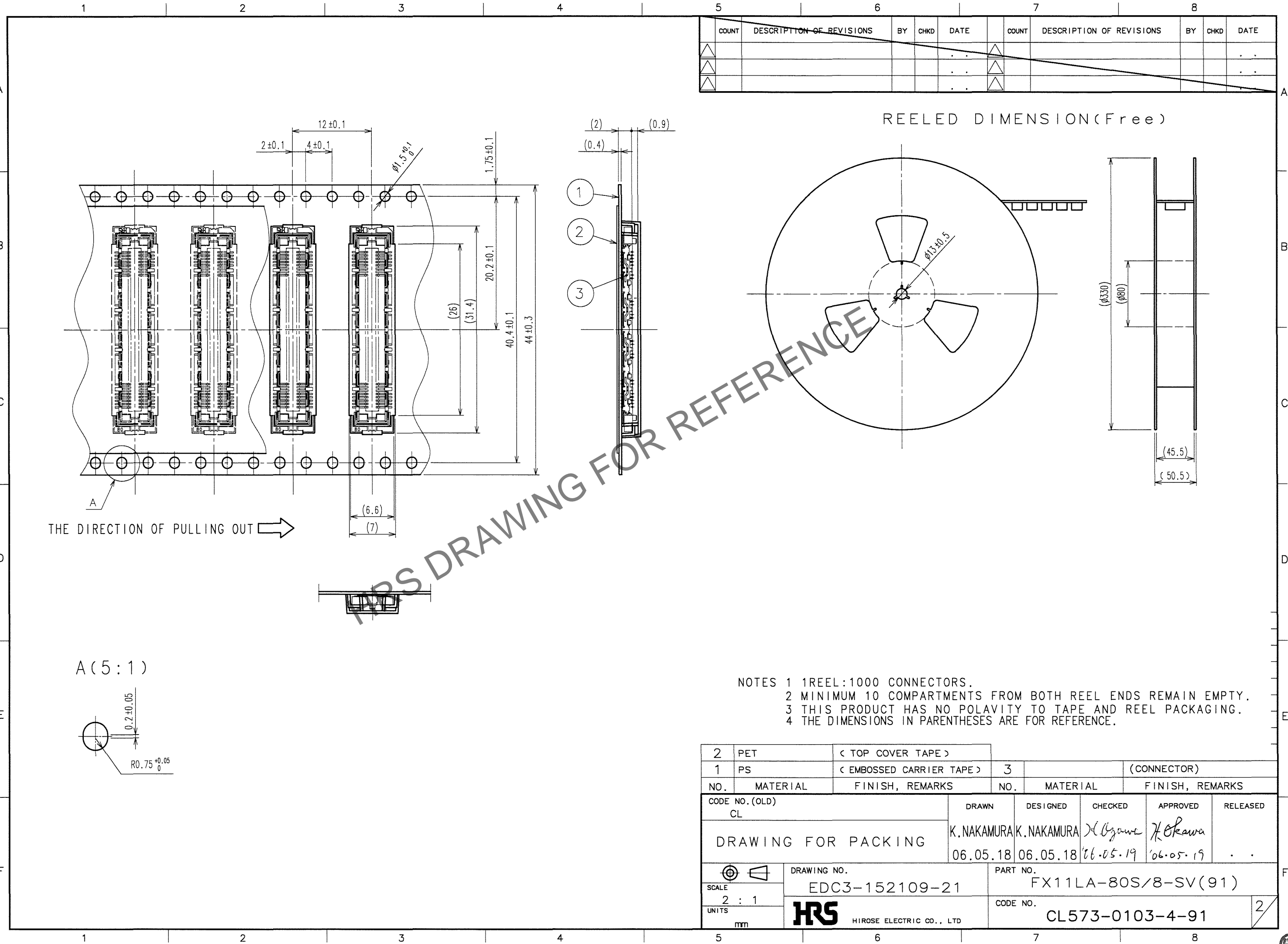


- NOTES
- 1 8 HATCHED PARTS: GROUND CIRCUIT.
 - 2 2 HATCHED PARTS: GROUND CIRCUIT.
 - 3 SMT LEAD-COPLANARITY: 0.1 MAX.
 - 4 THIS PRODUCT HAS NO POLARITY TO PATTERN FOR MOUNTING. MAKE SURE WIDTH OF PATTERN IS WITHIN THAT OF LAND, OR LEAD MAY TOUCH PATTERN. (THIS APPLIES TO HATCHED AREA.)
 - 6 TO BE EMBOSSED CARRIER TAPED AS SPECIFIED IN SHEET 2.
 - 7 THE DIMENSIONS IN PARENTHESES ARE FOR REFERENCE.

TO
PCK

4	PHOSPHOR BRONZE	TIN-PLATING	2	PHOSPHOR BRONZE	CONTACT AREA: GOLD 0.1μm min.
3	PHOSPHOR BRONZE	TIN-PLATING	2	PHOSPHOR BRONZE	LEAD AREA: GOLD FLASH
1	LCP	BEIGE UL94V-0	2	PHOSPHOR BRONZE	UNDER PLATING: NICKEL 1μm min.
NO.	MATERIAL	FINISH, REMARKS	NO.	MATERIAL	FINISH, REMARKS
CODE NO. (OLD) CL		DRAWN	DESIGNED	CHECKED	APPROVED
		K.NAKAMURA	K.NAKAMURA	(Signature)	(Signature)
		06.05.18	06.05.18	06.05.19	06.05.19
SCALE 5 : 1		DRAWING NO. EDC3-152109-21		PART NO. FX11LA-80S/8-SV(91)	
UNITS mm		HIROSE ELECTRIC CO., LTD.		CODE NO. CL573-0103-4-91	

Mar.1.2024 Copyright 2024 HIROSE ELECTRIC CO., LTD. All Rights Reserved.
In case of consideration for using Automotive equipment / device which demand high reliability, kindly contact our sales window correspondents.



COUNT	DESCRIPTION OF REVISIONS	BY	CHKD	DATE	COUNT	DESCRIPTION OF REVISIONS	BY	CHKD	DATE
△					△				
△					△				
△					△				

REELED DIMENSION(Free)

THE DIRECTION OF PULLING OUT →

- NOTES 1 1 REEL:1000 CONNECTORS.
2 MINIMUM 10 COMPARTMENTS FROM BOTH REEL ENDS REMAIN EMPTY.
3 THIS PRODUCT HAS NO POLAVITY TO TAPE AND REEL PACKAGING.
4 THE DIMENSIONS IN PARENTHESSES ARE FOR REFERENCE.

2	PET	< TOP COVER TAPE >			
1	PS	< EMBOSSED CARRIER TAPE >	3		(CONNECTOR)
NO.	MATERIAL	FINISH, REMARKS	NO.	MATERIAL	FINISH, REMARKS
CODE NO. (OLD) CL			DRAWN	DESIGNED	CHECKED
DRAWING FOR PACKING			K.NAKAMURA	K.NAKAMURA	K. Okawa
			06.05.18	06.05.18	'06.05.19
DRAWING NO. EDC3-152109-21			PART NO. FX11LA-80S/8-SV(91)		
SCALE 2 : 1			CODE NO. CL573-0103-4-91		
UNITS mm			2		

TO
PCK

Mouser Electronics

Authorized Distributor

Click to View Pricing, Inventory, Delivery & Lifecycle Information:

[Hirose Electric:](#)

[FX11LA-80S/8-SV\(91\)](#)