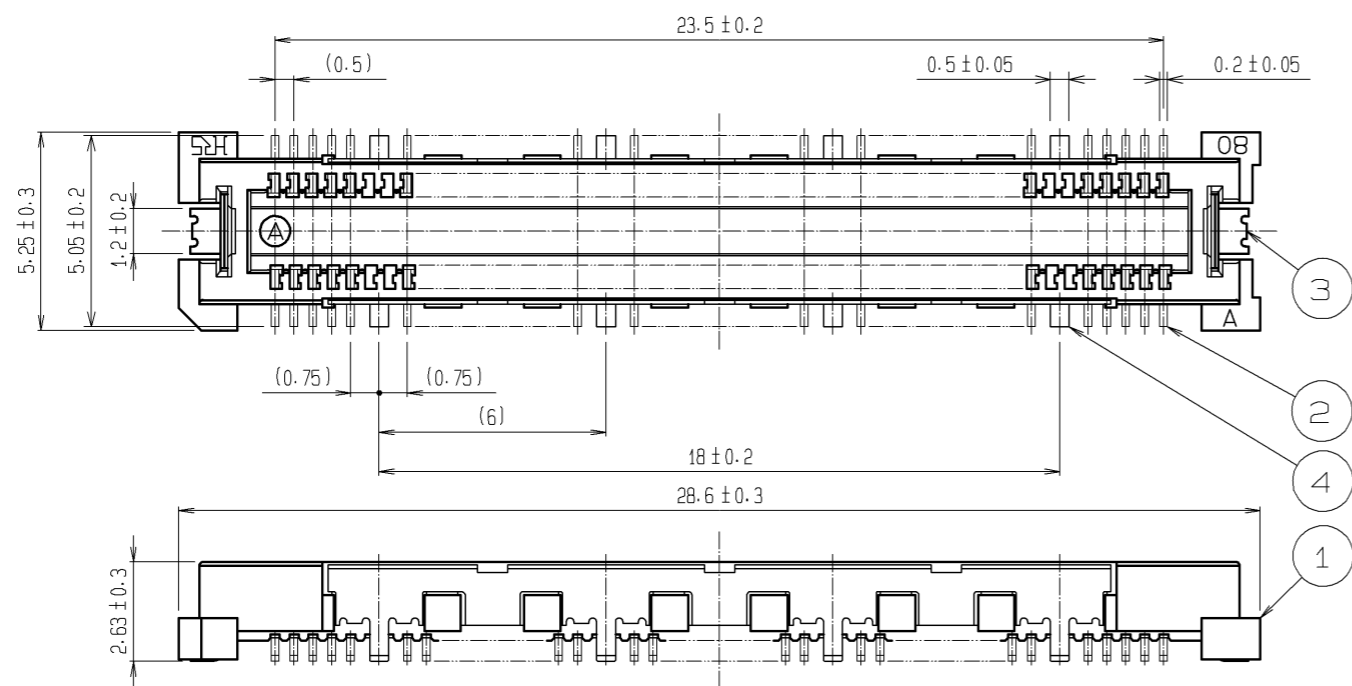
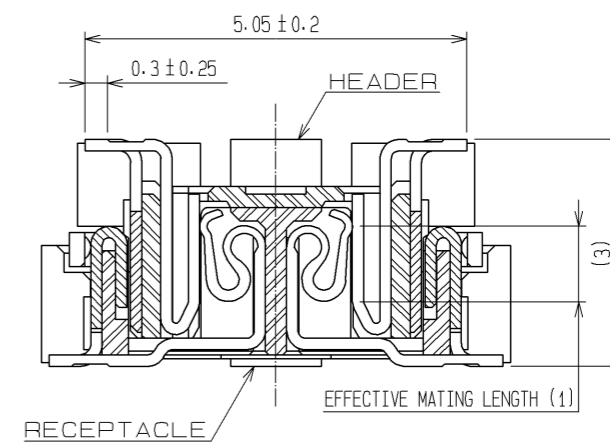


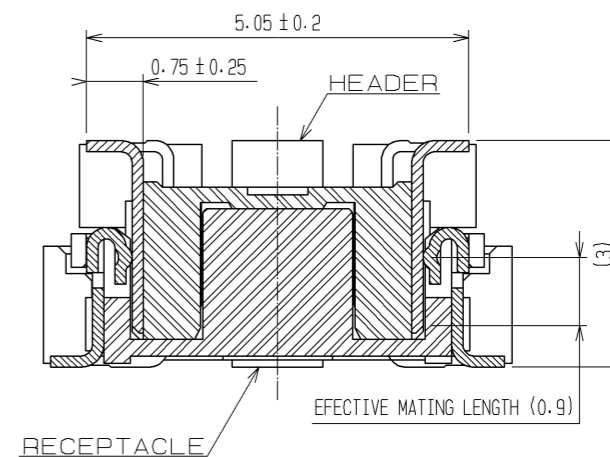
Jan.1.2025 Copyright 2025 HIROSE ELECTRIC CO., LTD. All Rights Reserved.
In case of consideration for using Automotive equipment / device which demand high reliability, kindly contact our sales window correspondents.



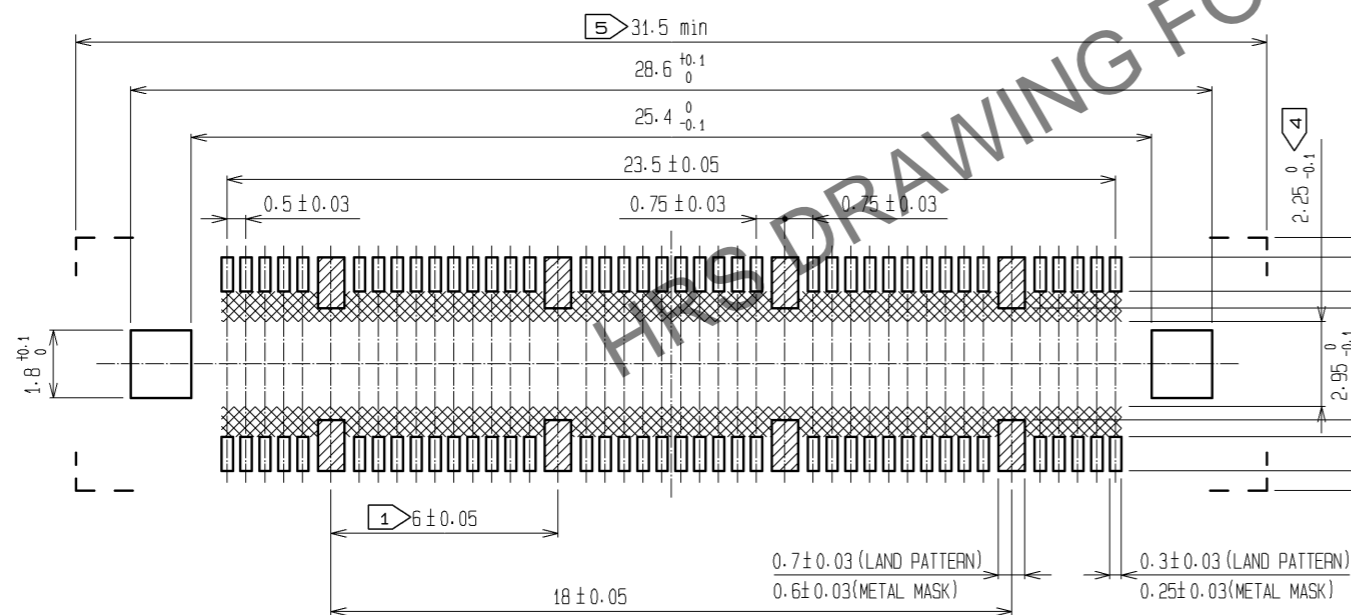
SIGNAL PORTION CROSS SECTION (10:1)



GROUND PORTION CROSS SECTION (10:1)



RECOMMENDED LAND PATTERN DIMENSION OF PCB
(RECOMMENDED METAL MASK THICKNESS:0.15mm)



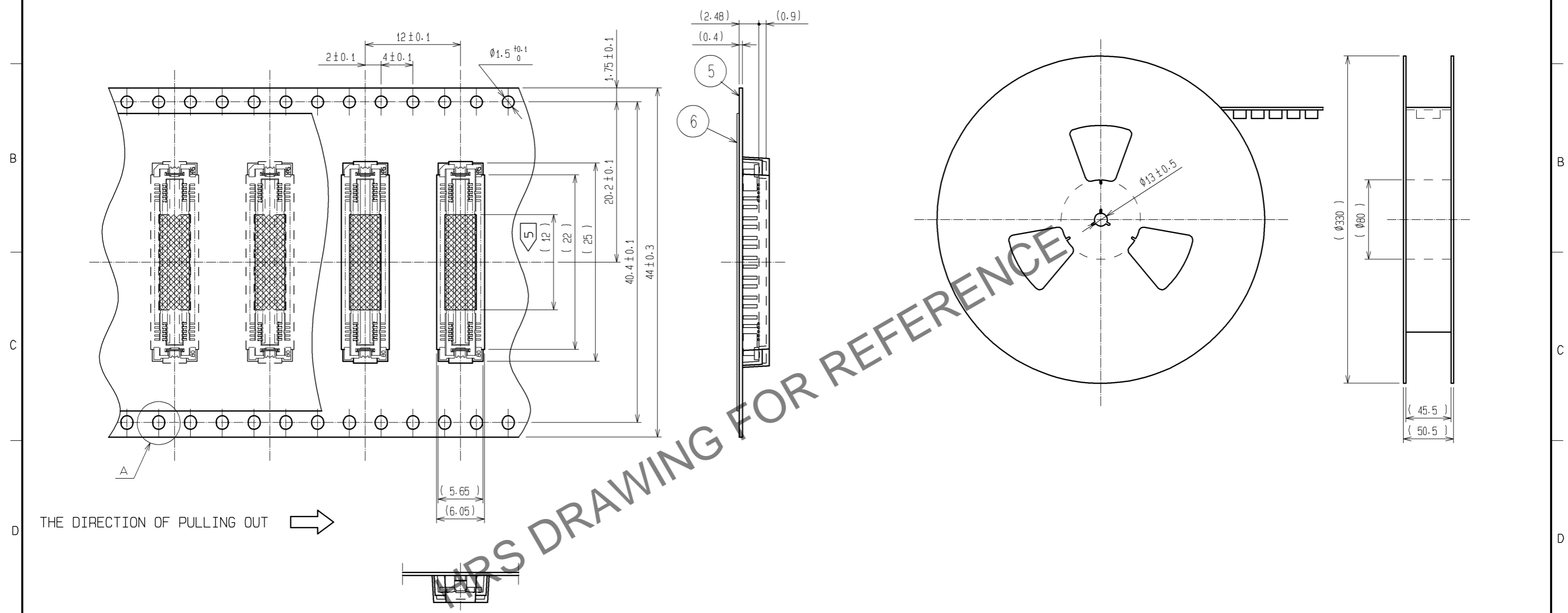
- NOTES
- ① 8 HATCHED PARTS:GROUND CIRCUIT.
 - ② SMT LEAD-COPLANARITY:0.1 MAX.
 - ③ THIS PRODUCT HAS NO POLARITY TO PATTERN FOR MOUNTING.
 - ④ MAKE SURE WIDTH OF PATTERN IS WITHIN THAT OF LAND .OR LEAD MAY TOUCH PATTERN. (THIS APPLIES TO HATCHED AREA.)
 - ⑤ DO NOT MOUNT OTHER DEVICES ONTO [] AREA ,OR MATING PAIR CANNOT BE MATED.
 - ⑥ THE DIMENSIONS IN PARENTHESES ARE FOR REFERENCE.

7	POLYIMIDE	(TAPE FOR VACUUM PICKUP)					
6	PET	TOP COVER TAPE					
5	PS	EMBOSSD CARRIER TAPE					
3, 4	PHOSPHOR BRONZE	TIN PLATING	2	COPPER ALLOY		CONTACT AREA : GOLD 0.1μm min.	
1	LCP	BEIGE UL94V-0				LEAD AREA : GOLD FLASH	
						UNDER PLATING : NICKEL 1μm min.	
NO.	MATERIAL	FINISH . REMARKS	NO.	MATERIAL	FINISH . REMARKS		
UNITS	mm	SCALE	5 : 1	COUNT	DESCRIPTION OF REVISIONS	DESIGNED	CHECKED
						DATE	
APPROVED : HS. OKAWA		14.01.18		DRAWING NO.		EDC3-152619-02	
CHECKED : HT. YAMAGUCHI		14.01.18		PART NO.		FX11B-80P/8-SV0.5(92)	
DESIGNED : TY. EDAGAWA		14.01.18		CODE NO.		CL573-0613-0-92	
DRAWN : TY. EDAGAWA		14.01.18					

Jan.1.2025 Copyright 2025 HIROSE ELECTRIC CO., LTD. All Rights Reserved.
 In case of consideration for using Automotive equipment / device which demand high reliability, kindly contact our sales window correspondents.

DRAWING FOR PACKING(2:1)

REELED DIMENSION(Free)



THE DIRECTION OF PULLING OUT →

DETAIL FOR VACUUM PICKUP (5:1)

- NOTES
- 1 REEL : 1000 CONNECTORS.
 - 2 MINIMUM 10 COMPARTMENTS FROM BOTH REEL ENDS REMAIN EMPTY.
 - 3 THIS PRODUCT HAS NO POLARITY TO TAPE AND REEL PACKAGING.
 - 4 THE DIMENSIONS IN PARENTHESES ARE FOR REFERENCE.
 - 5 REMOVE THE VACUUM PICKUP TAPE AFTER MOUNTING THE CONNECTOR.

HRS	DRAWING NO.	EDC3-152619-02
	PART NO.	FX11B-80P/8-SV0.5(92)
	CODE NO.	CL573-0613-0-92
		△ 2/2

Mouser Electronics

Authorized Distributor

Click to View Pricing, Inventory, Delivery & Lifecycle Information:

[Hirose Electric:](#)

[FX11B-80P/8-SV0.5\(92\)](#)