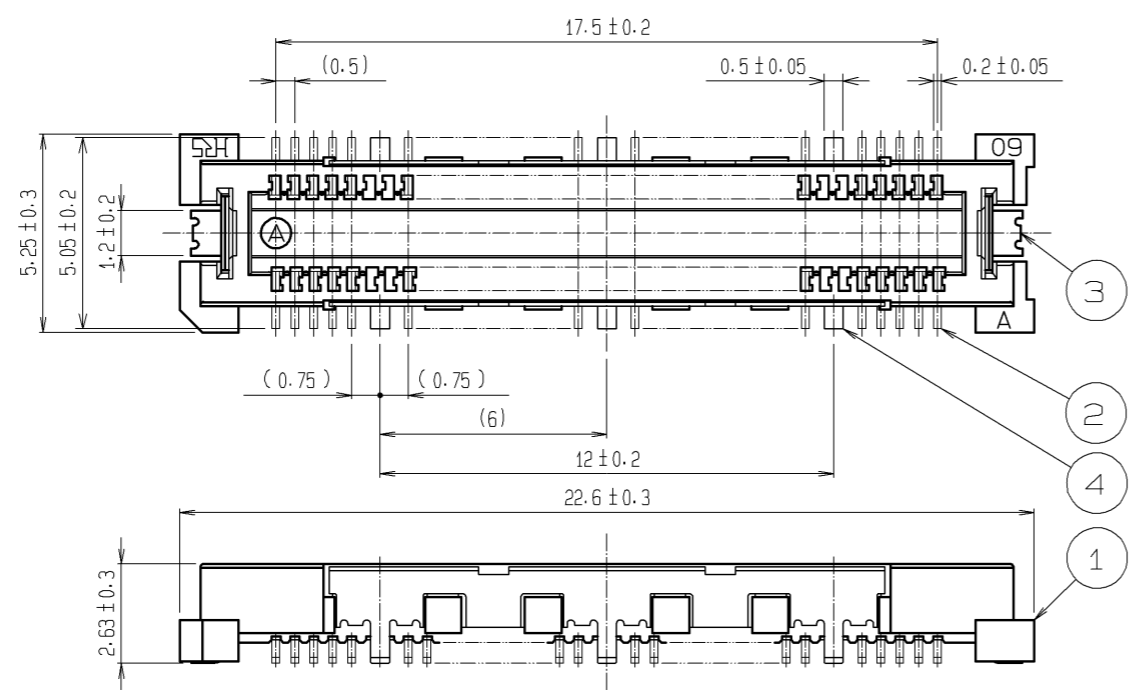
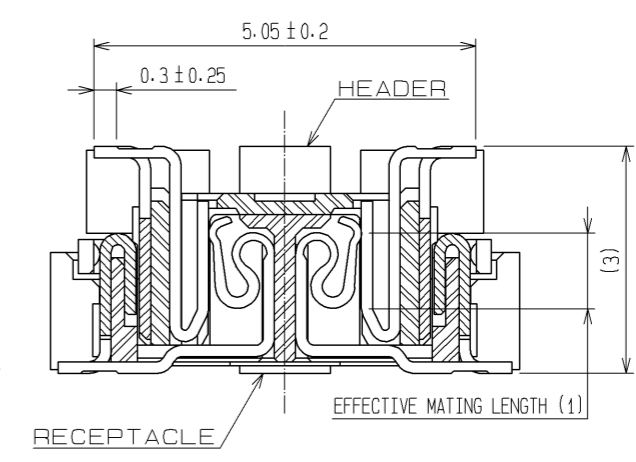


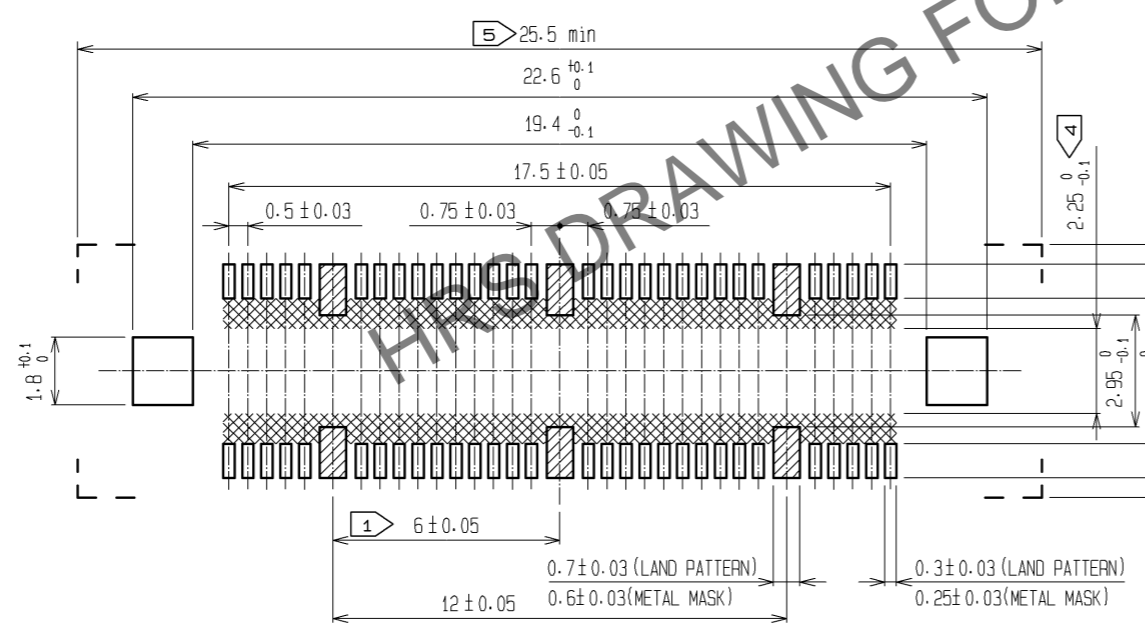
Apr.1.2024 Copyright 2024 HIROSE ELECTRIC CO., LTD. All Rights Reserved.
In case of consideration for using Automotive equipment / device which demand high reliability, kindly contact our sales window correspondents.



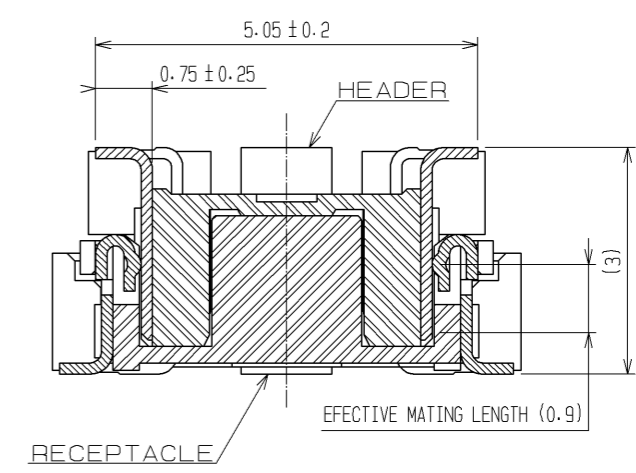
SIGNAL PORTION CROSS SECTION (10:1)



RECOMMENDED LAND PATTERN DIMENSION OF PCB
(RECOMMENDED METAL MASK THICKNESS: 0.15mm)



GROUND PORTION CROSS SECTION (10:1)



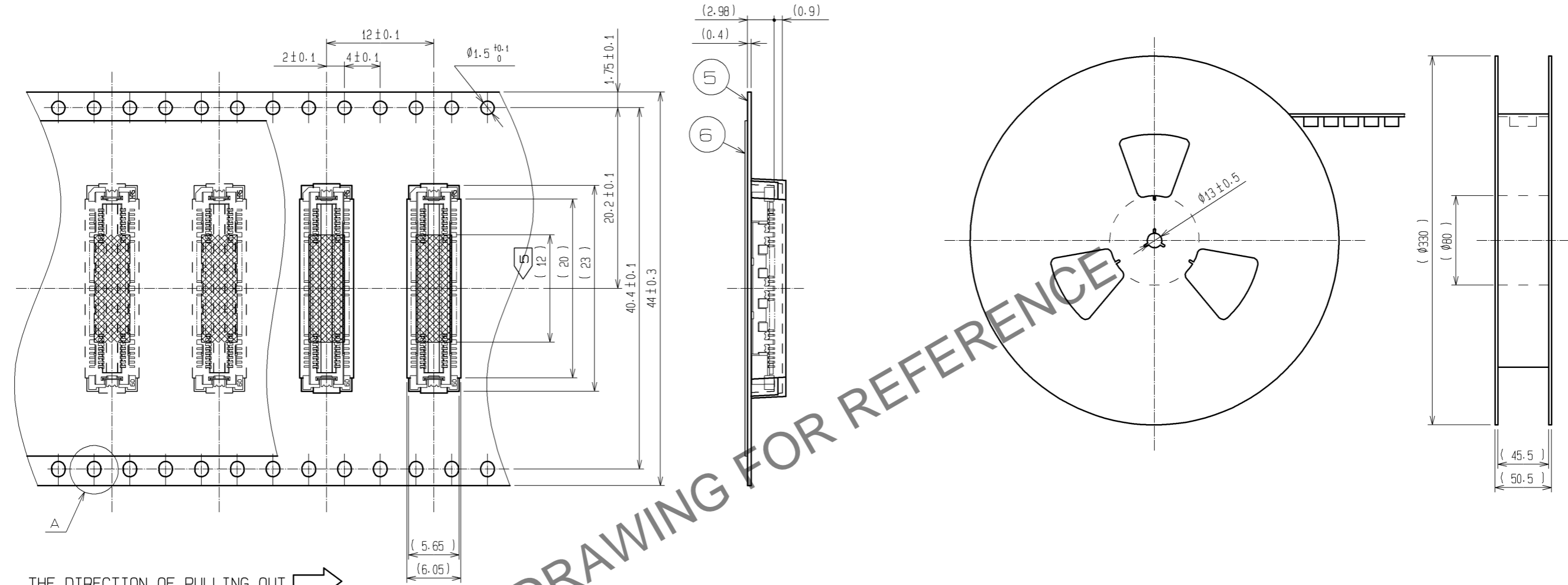
- NOTES
- ① 6 HATCHED PARTS: GROUND CIRCUIT.
 - ② SMT LEAD-COPLANARITY: 0.1 MAX.
 - ③ THIS PRODUCT HAS NO POLARITY TO PATTERN FOR MOUNTING.
 - ④ MAKE SURE WIDTH OF PATTERN IS WITHIN THAT OF LAND .OR LEAD MAY TOUCH PATTERN. (THIS APPLIES TO HATCHED AREA.)
 - ⑤ DO NOT MOUNT OTHER DEVICES ONTO [] AREA ,OR MATING PAIR CANNOT BE MATED.
 - ⑥ TO BE EMBOSSED CARRIER TAPED AS SPECIFIED IN SHEET 2.
 - ⑦ THE DIMENSIONS IN PARENTHESES ARE FOR REFERENCE.

3, 4	PHOSPHOR BRONZE	TIN PLATING					
		CONTACT AREA : GOLD 0.1μm min.					
2	COPPER ALLOY	LEAD AREA : GOLD FLASH	7	POLYIMIDE	(TAPE FOR VACUUM PICKUP)		
		UNDER PLATING : NICKEL 1μm min.		6	PET	TOP COVER TAPE	
1	LCP	BEIGE UL94V-0		5	PS	EMBOSSED CARRIER TAPE	
NO.	MATERIAL	FINISH . REMARKS	NO.	MATERIAL	FINISH . REMARKS		
UNITS mm		SCALE 5 : 1	COUNT △	DESCRIPTION OF REVISIONS	DESIGNED	CHECKED	DATE
HRS HIROSE ELECTRIC CO., LTD.		APPROVED : HS. OKAWA	08.06.11	DRAWING NO. EDC3-152618-22			
		CHECKED : HT. YAMAGUCHI	08.06.11	PART NO. FX11B-60P/6-SV0.5(92)			
		DESIGNED : SY. KAMIGA	08.06.11	CODE NO. CL573-0612-8-92			
		DRAWN : HK. SUNADORI	08.06.11	△ 1/2			

Apr.1.2024 Copyright 2024 HIROSE ELECTRIC CO., LTD. All Rights Reserved.
 In case of consideration for using Automotive equipment / device which demand high reliability, kindly contact our sales window correspondents.

DRAWING FOR PACKING(2:1)

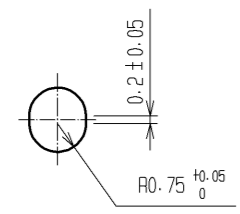
REELED DIMENSION(Free)



THE DIRECTION OF PULLING OUT →

DETAIL FOR VACUUM PICKUP (5:1)

A (5:1)



- NOTES
- 1 1 REEL : 1000 CONNECTORS.
 - 2 MINIMUM 10 COMPARTMENTS FROM BOTH REEL ENDS REMAIN EMPTY.
 - 3 THIS PRODUCT HAS NO POLARITY TO TAPE AND REEL PACKAGING.
 - 4 THE DIMENSIONS IN PARENTHESES ARE FOR REFERENCE.
 - 5 REMOVE THE VACUUM PICKUP TAPE AFTER MOUNTING THE CONNECTOR.

HRS	DRAWING NO.	EDC3-152618-22
	PART NO.	FX11B-60P/6-SV0.5(92)
	CODE NO.	CL573-0612-8-92
		△ 2/2

Mouser Electronics

Authorized Distributor

Click to View Pricing, Inventory, Delivery & Lifecycle Information:

[Hirose Electric:](#)

[FX11B-60P/6-SV0.5\(92\)](#)