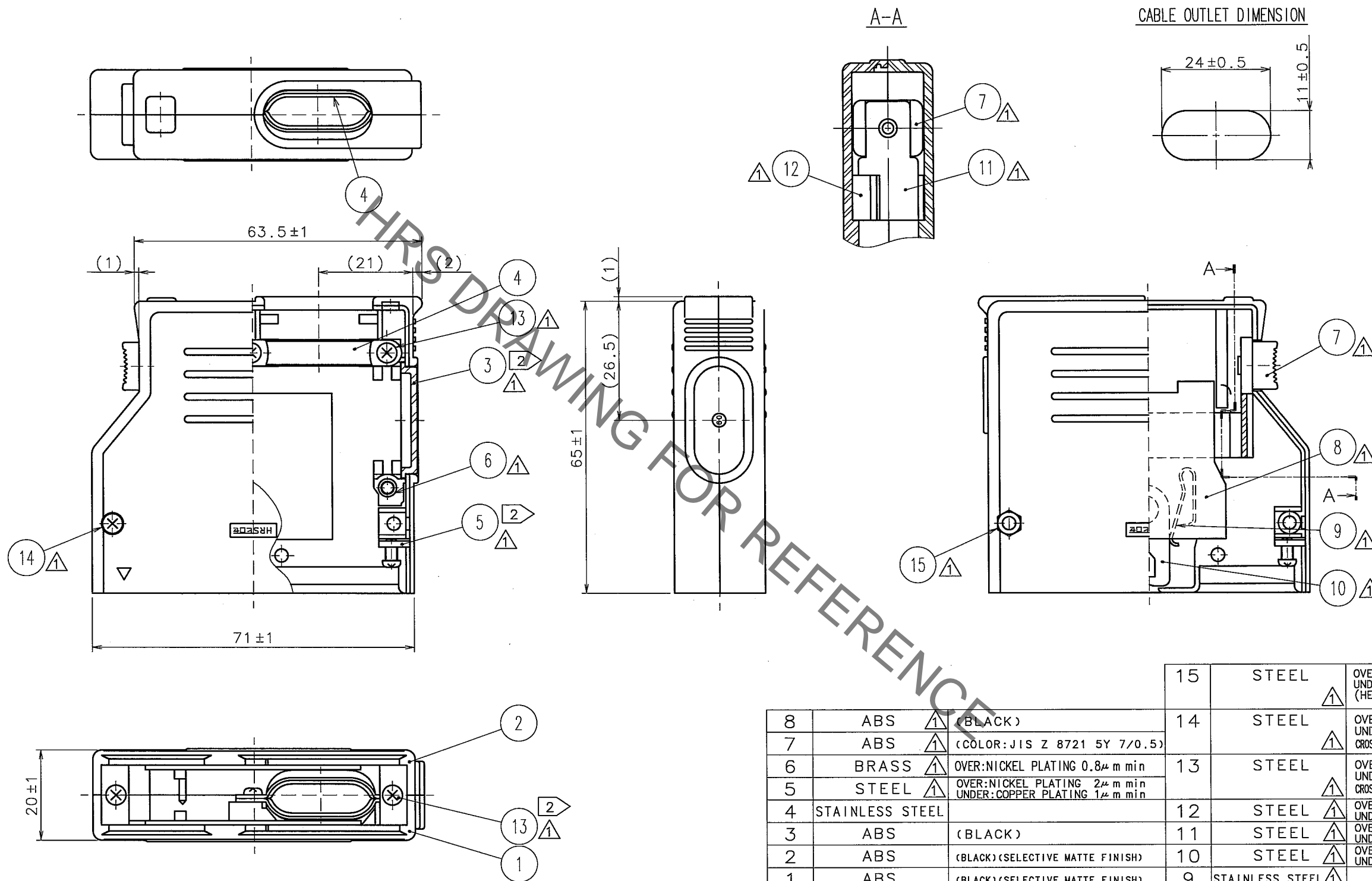


Sep.1.2021 Copyright 2021 HIROSE ELECTRIC CO., LTD. All Rights Reserved.
Increase of consideration for using Automotive equipment / device which demand high reliability, kindly contact our sales window correspondents.

| COUNT | DESCRIPTION OF REVISIONS | BY | CHKD | DATE | COUNT | DESCRIPTION OF REVISIONS | BY | CHKD | DATE |
|-------|--------------------------|--------------|------|--------------|-------|--------------------------|----|------|------|
| 1 | 26 | DIS-E-001637 | Y.S | Y.E 07.07.25 | | | | | |
| | | | | | | | | | |
| | | | | | | | | | |



NOTE 1 THE DIMENSIONS IN PARENTHESIS ARE FOR REFERENCE.
 △ COMPONENTS OF REF. NO. ③, ⑤ AND ⑬ ARE APPENDED PRODUCTS.

| 8 | ABS | △ (BLACK) | 15 | STEEL | △ OVER:NICKEL PLATING 0.8μ m min UNDER: COPPER PLATING 2μ m min (HEX NUT M2.6×0.45) |
|-----|-----------------|--|-----|-----------------|---|
| 7 | ABS | △ (COLOR: JIS Z 8721 5Y 7/0.5) | 14 | STEEL | △ OVER:NICKEL PLATING 2μ m min UNDER: COPPER PLATING 1μ m min CROSS PAN HEAD MACHINE SCREW M2.6×0.45×16 |
| 6 | BRASS | △ OVER:NICKEL PLATING 0.8μ m min | 13 | STEEL | △ OVER:NICKEL PLATING 2μ m min UNDER: COPPER PLATING 1μ m min CROSS PAN HEAD MACHINE SCREW M2.6×0.45×6 |
| 5 | STEEL | △ OVER:NICKEL PLATING 2μ m min UNDER: COPPER PLATING 1μ m min | 12 | STEEL | △ OVER:NICKEL PLATING 2μ m min UNDER: COPPER PLATING 1μ m min |
| 4 | STAINLESS STEEL | | 11 | STEEL | △ OVER:NICKEL PLATING 2μ m min UNDER: COPPER PLATING 1μ m min |
| 3 | ABS | (BLACK) | 10 | STEEL | △ OVER:NICKEL PLATING 2μ m min UNDER: COPPER PLATING 1μ m min |
| 2 | ABS | (BLACK)(SELECTIVE MATTE FINISH) | 9 | STAINLESS STEEL | △ |
| 1 | ABS | (BLACK)(SELECTIVE MATTE FINISH) | | | |
| NO. | MATERIAL | FINISH, REMARKS | NO. | MATERIAL | FINISH, REMARKS |

| | | | | | | |
|-------------------------------|--|-----------|------------------------------|-----------|-----------|----------|
| CODE NO. (OLD) | | DRAWN | DESIGNED | CHECKED | APPROVED | RELEASED |
| | | T. ITO | T. ITO | Y. ENAMI | H. MIWA | |
| | | '06.01.24 | '06.01.24 | '06.01.24 | '06.01.24 | |
| DRAWING NO. EDC3-005988-01 | | | PART NO. P-1660A-CA(50) | | | |
| SCALE 1 : 1 | | | CODE NO. CL216-0113-9-50 | | | |
| UNITS mm | | | HRS HIROSE ELECTRIC CO., LTD | | | |

Mouser Electronics

Authorized Distributor

Click to View Pricing, Inventory, Delivery & Lifecycle Information:

[Hirose Electric:](#)

[P-1660A-CA\(50\)](#)