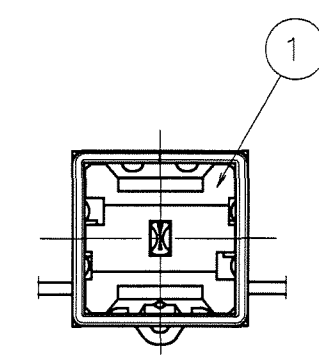
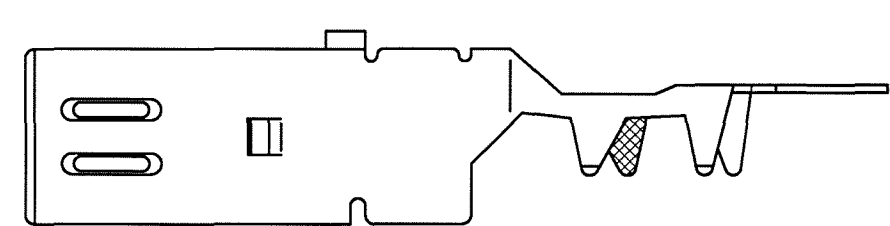
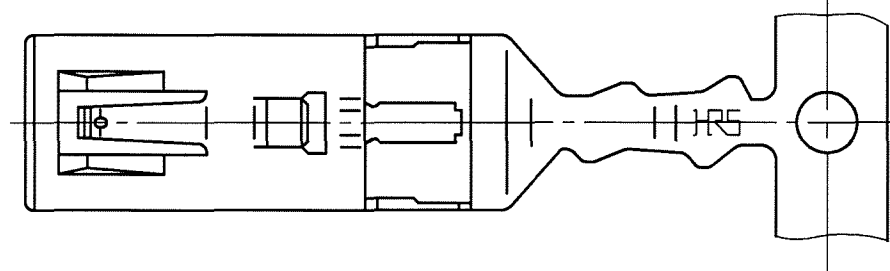
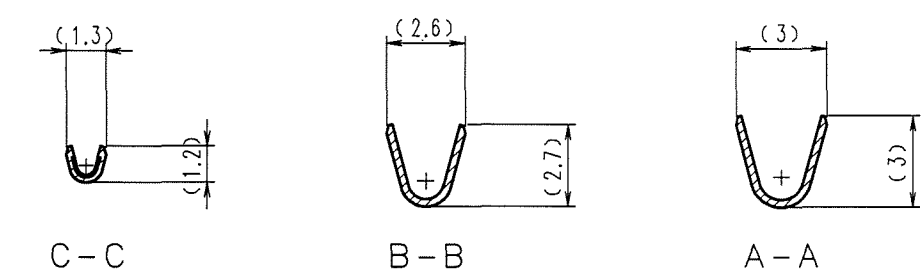
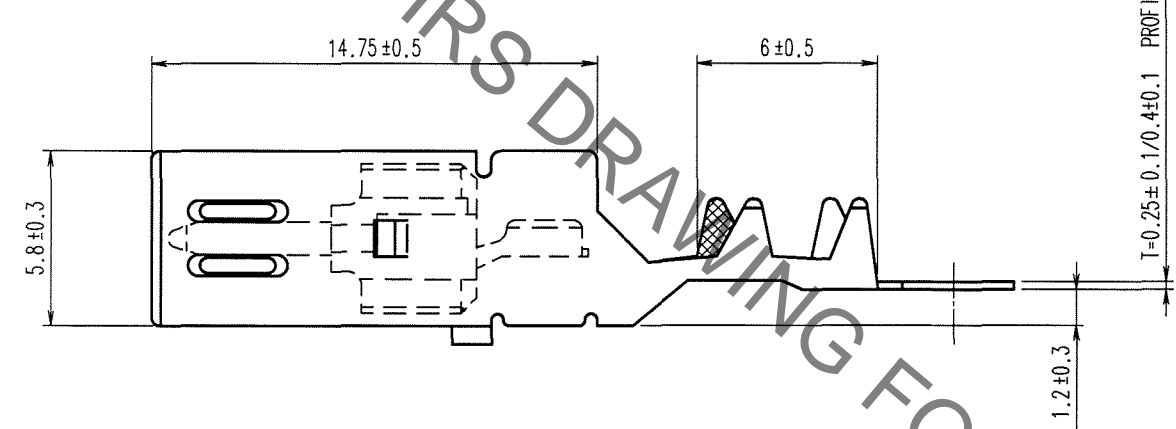
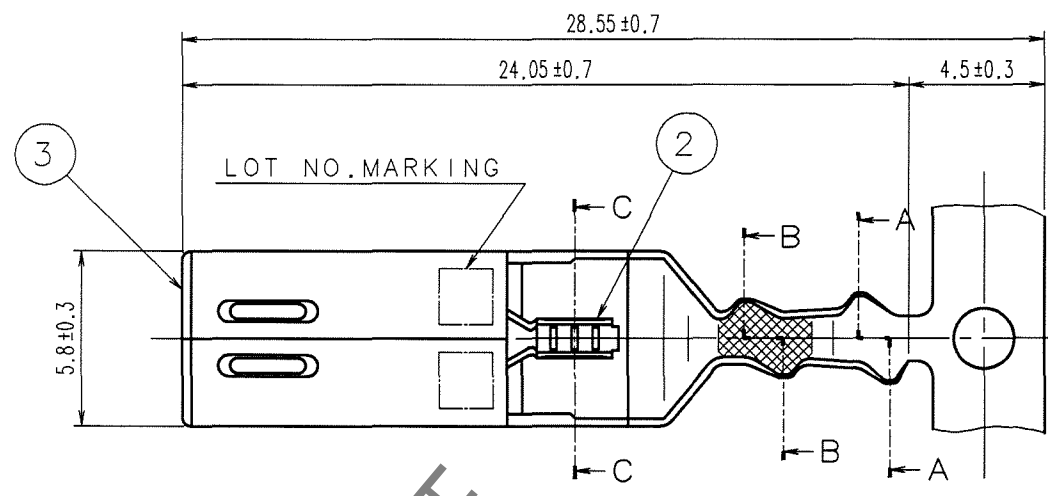


Jan.1.2022 Copyright 2022 HIROSE ELECTRIC CO., LTD. All Rights Reserved.
In case of consideration for using Automotive equipment / device which demand high reliability, kindly contact our sales window correspondents.

ELV. RoHS COMPLIANT

COUNT	DESCRIPTION OF REVISIONS	BY	CHKD	DATE	COUNT	DESCRIPTION OF REVISIONS	BY	CHKD	DATE
△					△				
△					△				
△					△				



3	BRASS	TIN PLATED, T=0.25/0.4	2	BRASS	TIN PLATED, T=0.25		
1	PBT	DARK GRAY, UL94V-0					
NO.	MATERIAL	FINISH, REMARKS	NO.	MATERIAL	FINISH, REMARKS		
CODE NO. (OLD)			DRAWN	DESIGNED	CHECKED	APPROVED	RELEASED
			S.KURIYA	N.NAKATA	K. Sato	K. Aoto	
			'06. 7. 27	'93. 8. 19	06. 7. 28	06. 7. 28	
DRAWING NO. EDC3-071835-01			PART NO. GT5-30/0.7-1.5PCF(70)				
SCALE 4 : 1			CODE NO. CL755-0017-9-70				
UNITS mm			HRS HIROSE ELECTRIC CO., LTD				

NOTE1. ONE REEL CONSISTS OF 900 PIECES OF CONTACTS.

TO

1/1

Mouser Electronics

Authorized Distributor

Click to View Pricing, Inventory, Delivery & Lifecycle Information:

[Hirose Electric:](#)

[GT5-30/0.7-1.5PCF\(70\)](#)