

# Customer Information Sheet

DRAWING No.: M50-490XX45R

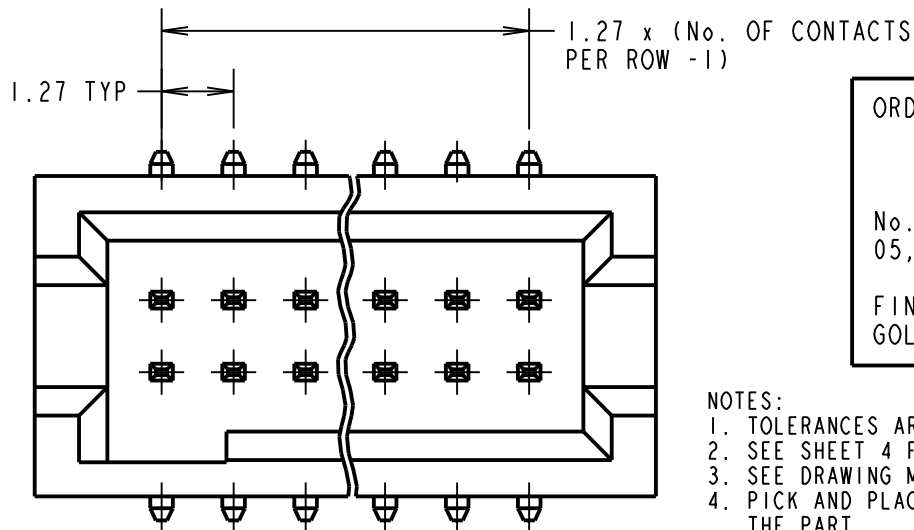
IF IN DOUBT - ASK

©

NOT TO SCALE

THIRD ANGLE PROJECTION

ALL DIMENSIONS IN mm



ORDER CODE:

**M50-490XX45R**

No. OF CONTACTS PER ROW: \_\_\_\_\_  
05, 07, 08, 10

FINISH: \_\_\_\_\_  
GOLD ALL OVER CONTACT

**NOTES:**

1. TOLERANCES ARE  $\pm 0.15$  UNLESS OTHERWISE STATED.
2. SEE SHEET 4 FOR TAPE AND REEL DETAILS.
3. SEE DRAWING M50-490XX45 FOR TUBED PRODUCT.
4. PICK AND PLACE CAP LOCATED CENTRALLY ON THE PART.

**SPECIFICATIONS:**

**MATERIAL:**  
MOULDING = LCP UL94V-0, BLACK  
CONTACT = COPPER ALLOY

**FINISH:**  
CONTACT = GOLD

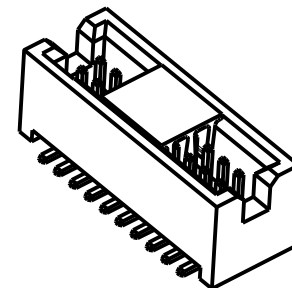
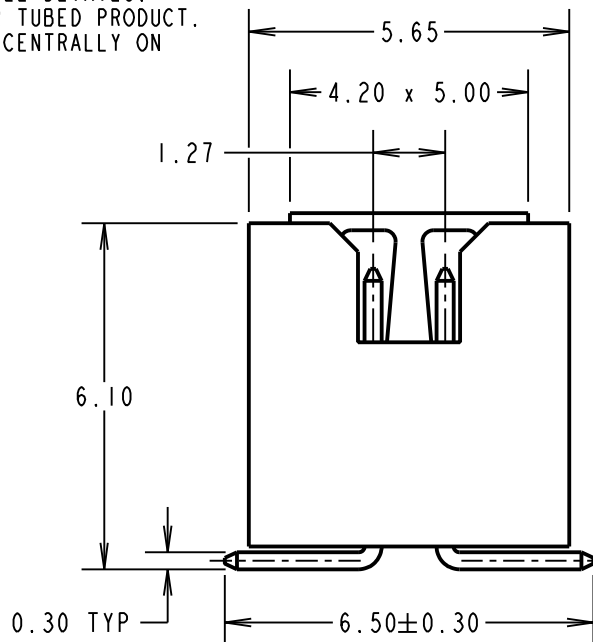
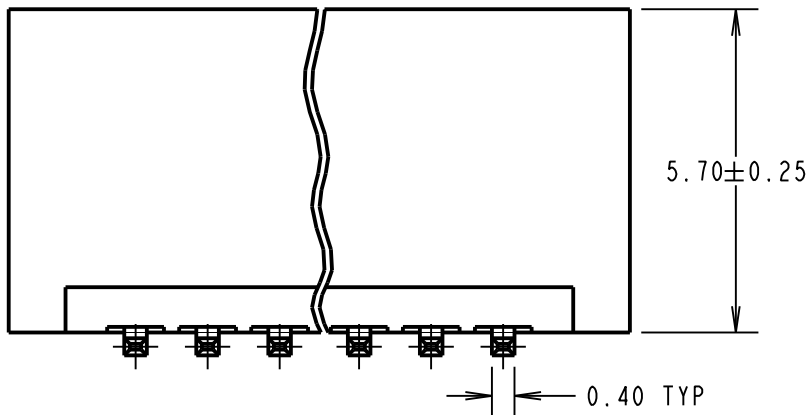
**ELECTRICAL:**  
CURRENT RATING = 1A  
VOLTAGE PROOF = 300V AC/DC  
CONTACT RESISTANCE =  $20m\Omega$  MAX  
INSULATION RESISTANCE =  $1,000M\Omega$  MIN

**MECHANICAL:**  
DURABILITY = 100 CYCLES MIN

**ENVIRONMENTAL:**  
OPERATING TEMPERATURE =  $-40^{\circ}C$  TO  $+105^{\circ}C$

**PACKING:**  
TUBE  
FOR COMPLETE SPECIFICATION, SEE COMPONENT SPECIFICATION C029XX (LATEST ISSUE)

$(1.27 \times \text{No. OF CONTACTS PER ROW}) + 3.20 \pm 0.25$



SB	5	01.06.17	20635
NAME	ISS.	DATE	C/NOTE
APPROVED:		S.BENNETT	
CHECKED:		M.PLESTED	
DRAWN:		S. FLOWER	
CUSTOMER REF.:			
ASSEMBLY DRG:			

**HARWIN**

www.harwin.com  
technical@harwin.com

THIS DRAWING AND ANY INFORMATION OR DESCRIPTIVE MATTER SET OUT HEREON ARE CONFIDENTIAL AND COPYRIGHT PROPERTY OF THE HARWIN GROUP AND MUST NOT BE DISCLOSED, LOANED, COPIED OR USED FOR MANUFACTURING, TENDERING OR FOR ANY OTHER PURPOSE WITHOUT THEIR WRITTEN PERMISSION.

**TOLERANCES**  
X =  $\pm 1mm$   
X.X =  $\pm 0.50mm$   
X.XX =  $\pm 0.10mm$   
X.XXX =  $\pm 0.01mm$   
ANGLES =  $\pm 5^{\circ}$   
UNLESS STATED

**MATERIAL:**

SEE ABOVE

**FINISH:**

SEE ABOVE

**S/AREA:**

mm<sup>2</sup>

**TITLE:**

1.27mm PITCH DIL  
SMT PIN HEADER ASSY  
(TAPE AND REEL)

**DRAWING NUMBER:**

**M50-490XX45R**

SHT  
3 OF 4

# Customer Information Sheet

DRAWING No.: M50-490XX45R

IF IN DOUBT - ASK

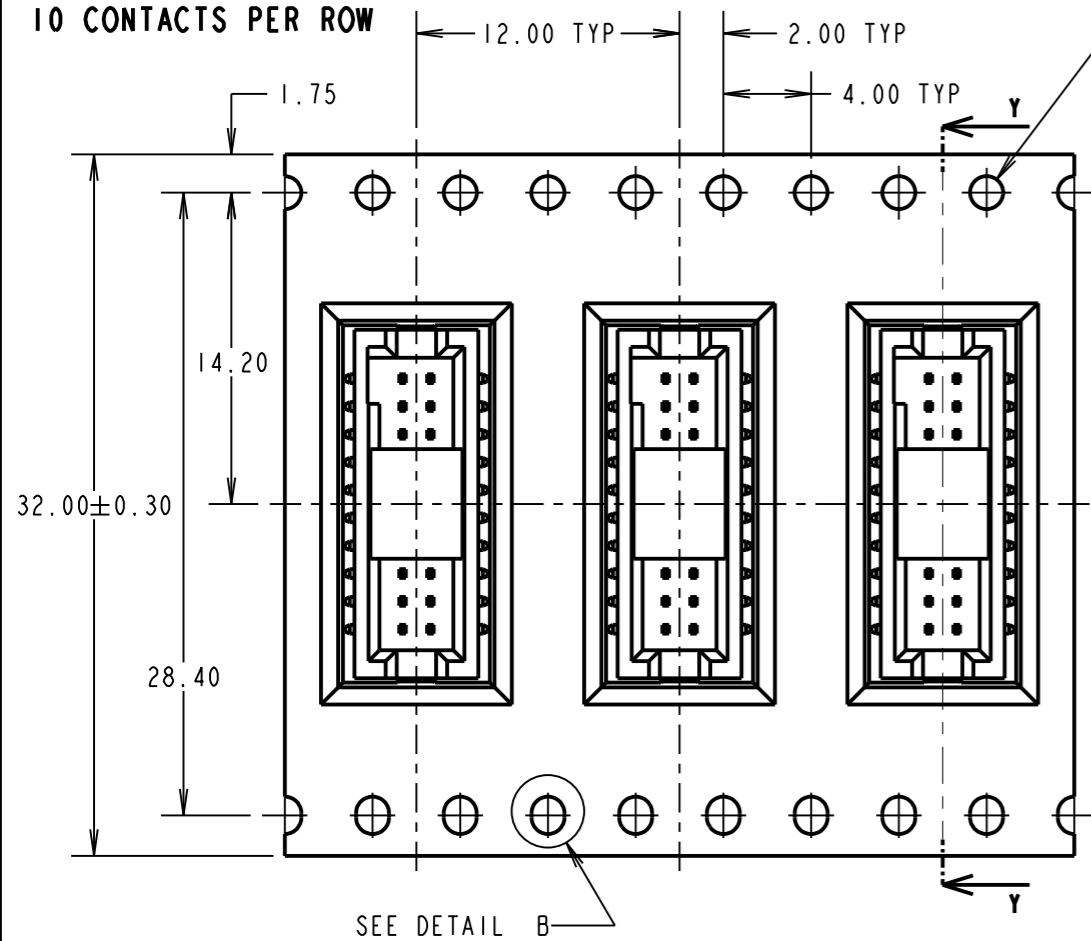
(C)

NOT TO SCALE

THIRD ANGLE PROJECTION

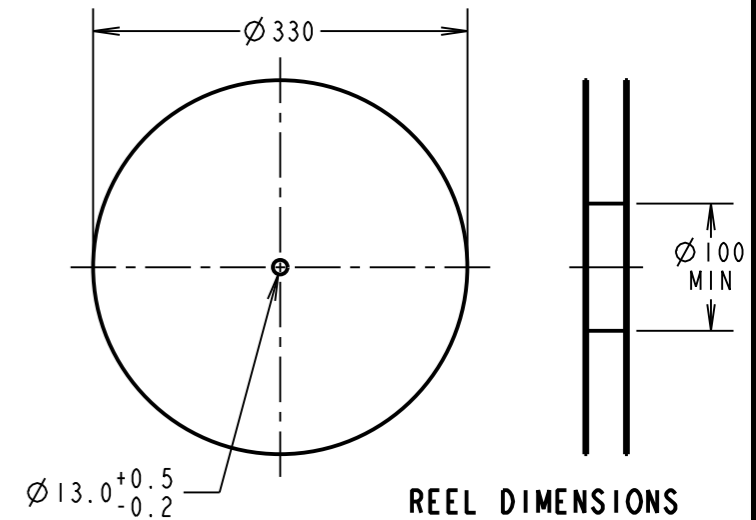
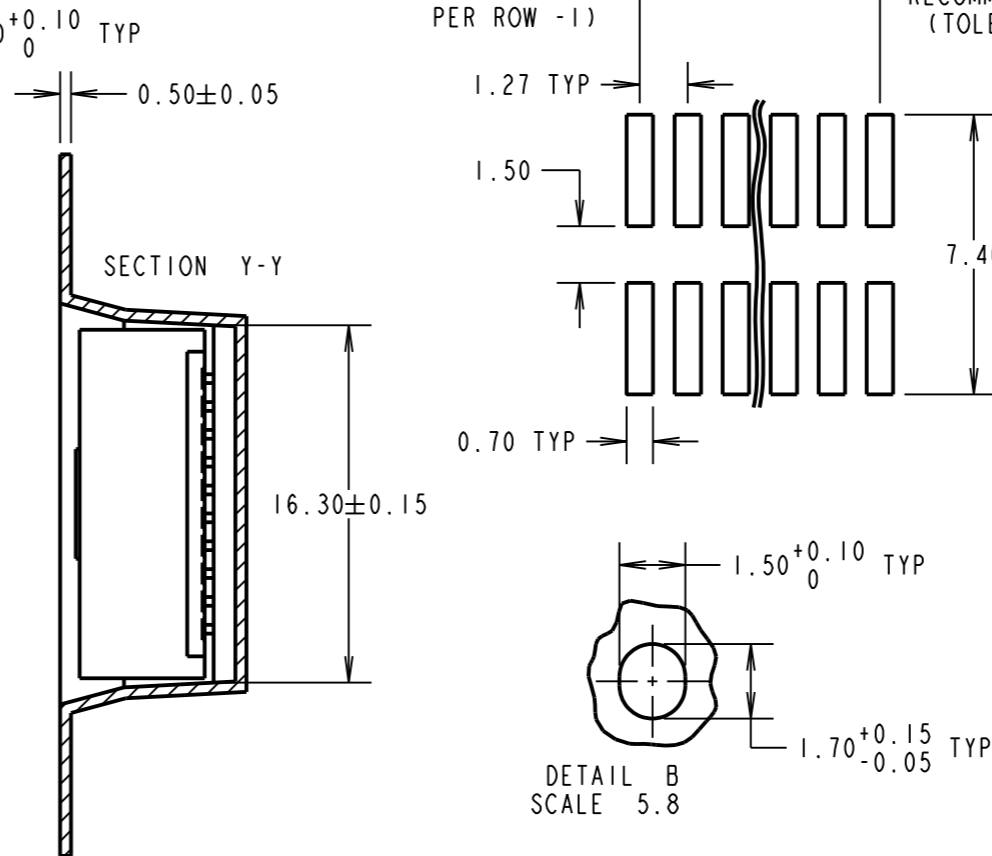
ALL DIMENSIONS IN mm

## TAPE DETAILS FOR 10 CONTACTS PER ROW



1.27 x (No. OF CONTACTS PER ROW - 1)

RECOMMENDED PCB LAYOUT (TOLERANCE = ±0.10)



ORDER CODE:

**M50-490XX45R**

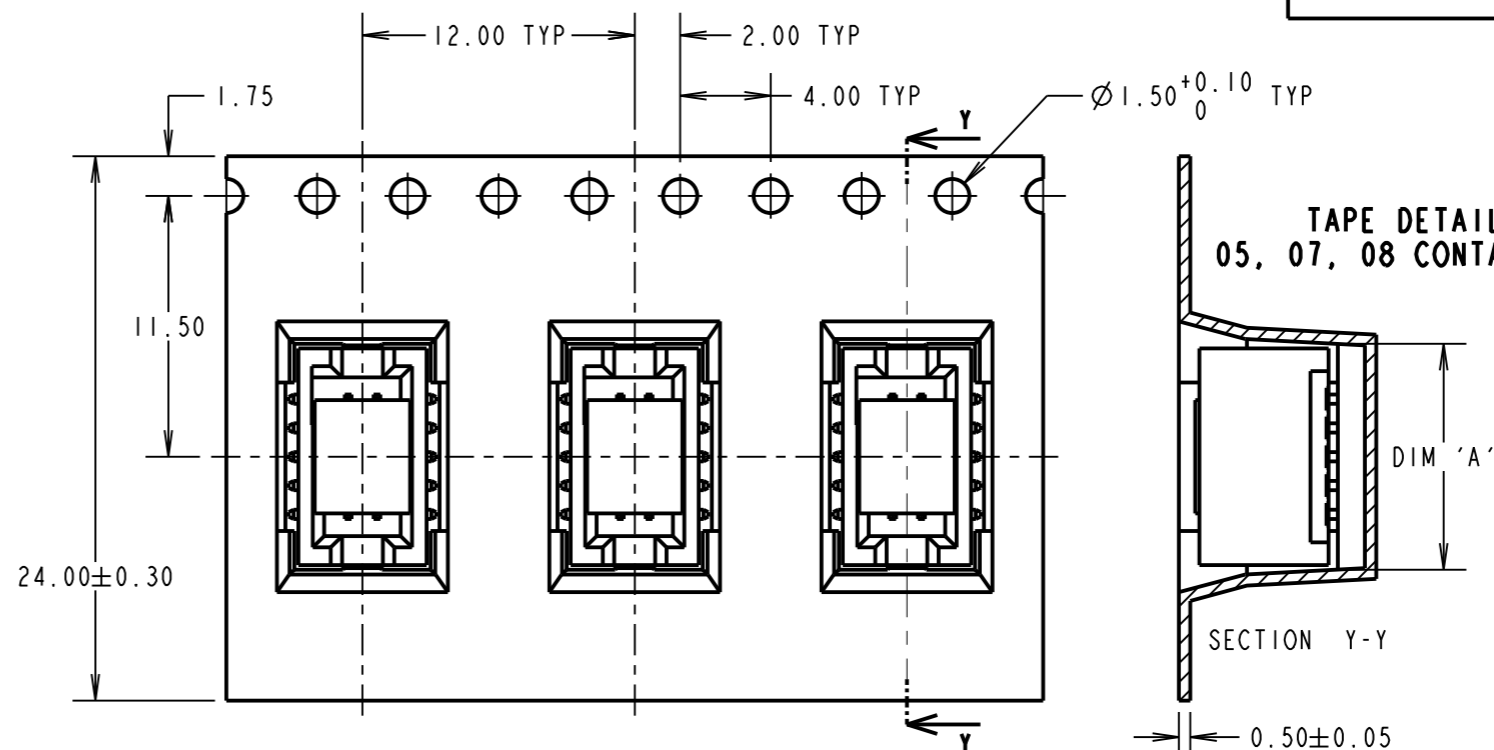
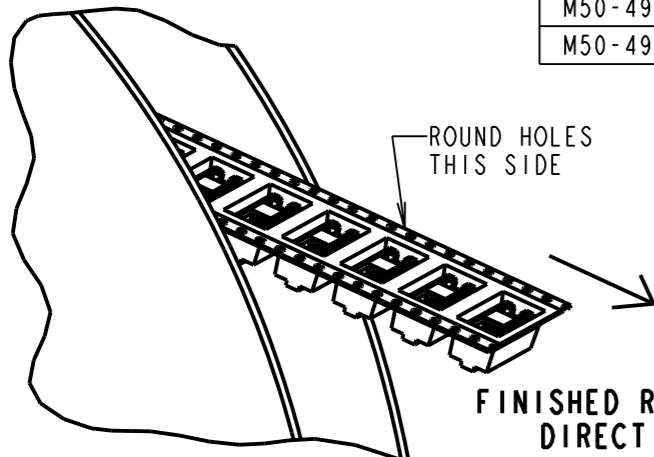
No. OF CONTACTS PER ROW: 05, 07, 08, 10

FINISH: GOLD ALL OVER CONTACT

### NOTES:

- THIS PRODUCT IS TAPE AND REELED IN ACCORDANCE WITH EIA-481 ELECTRONICS INDUSTRIES ASSOCIATION.
- SPROCKET HOLE PITCH CUMULATIVE TOLERANCE = ±0.2mm.
- REEL QUANTITIES:  
05 CONTACTS PER ROW = 600,  
07 CONTACTS PER ROW = 600,  
08 CONTACTS PER ROW = 700,  
10 CONTACTS PER ROW = 700.
- SEE SHEET 3 FOR CONNECTOR DETAILS.

PART No.	DIM 'A'
M50-4900545R	9.95
M50-4900745R	12.49
M50-4900845R	13.76



## TAPE DETAILS FOR 05, 07, 08 CONTACTS PER ROW

SB	5	01.06.17	20635
NAME	ISS.	DATE	C/NOTE
APPROVED:		S. BENNETT	
CHECKED:		M. PLESTED	
DRAWN:		S. FLOWER	
CUSTOMER REF.:			
ASSEMBLY DRG:			

# HARWIN

www.harwin.com  
technical@harwin.com

THIS DRAWING AND ANY INFORMATION OR DESCRIPTIVE MATTER SET OUT HEREON ARE CONFIDENTIAL AND COPYRIGHT PROPERTY OF THE HARWIN GROUP AND MUST NOT BE DISCLOSED, LOANED, COPIED OR USED FOR MANUFACTURING, TENDERING OR FOR ANY OTHER PURPOSE WITHOUT THEIR WRITTEN PERMISSION.

### TOLERANCES

X. = ±1mm  
X.X = ±0.25mm  
X.XX = ±0.10mm  
X.XXX = ±0.01mm  
ANGLES = ±5°  
UNLESS STATED

### MATERIAL:

SEE ABOVE

FINISH: SEE ABOVE

S/AREA:

mm<sup>2</sup>

TITLE: 1.27mm PITCH DIL SMT PIN HEADER ASSEMBLY (TAPE & REEL)

DRAWING NUMBER:

**M50-490XX45R**

SHT 4 OF 4

# Mouser Electronics

Authorized Distributor

Click to View Pricing, Inventory, Delivery & Lifecycle Information:

[Harwin:](#)

[M50-4900845R](#)