

Customer Information Sheet

DRAWING No.: M80-68110XXR

SHEET 2 OF 2

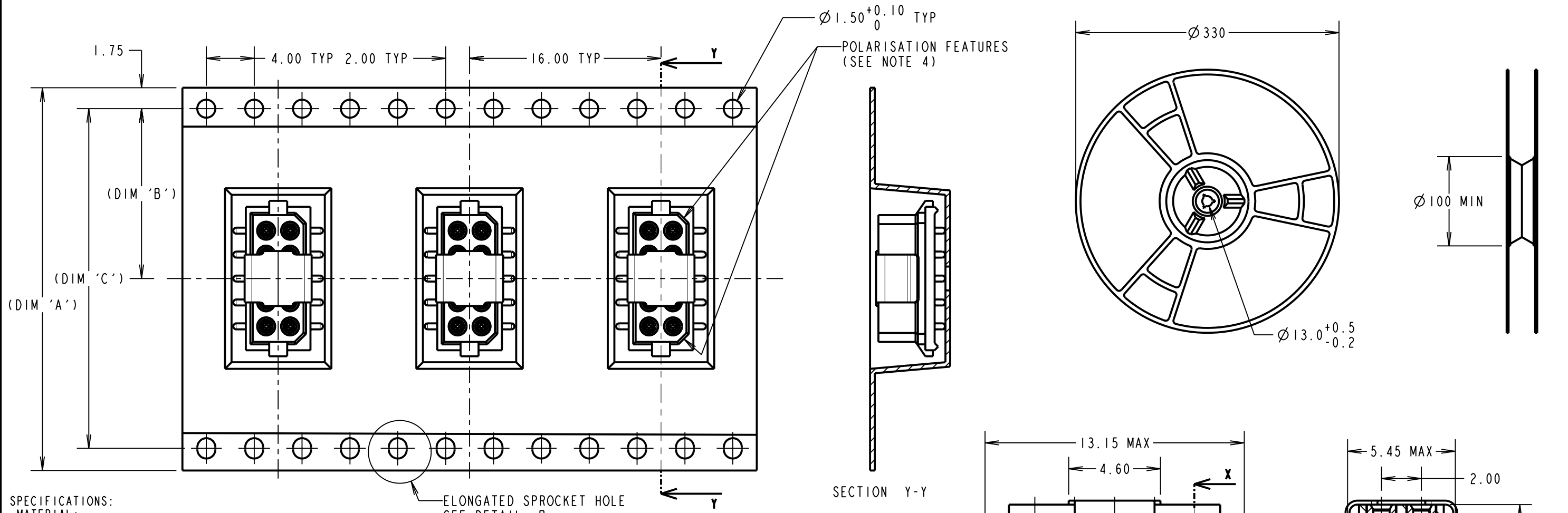
IF IN DOUBT - ASK

(C)

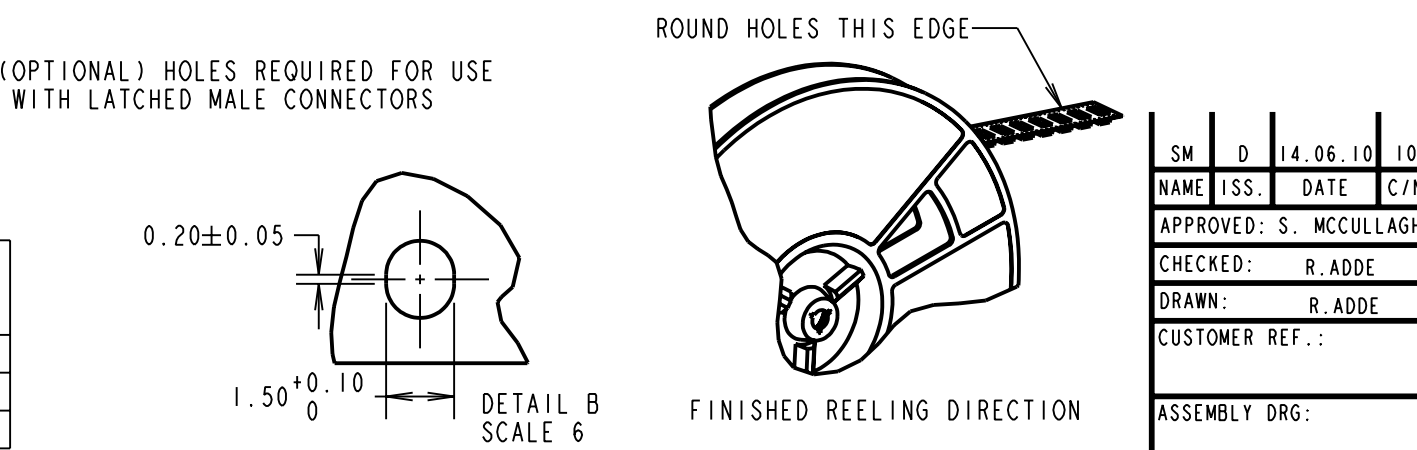
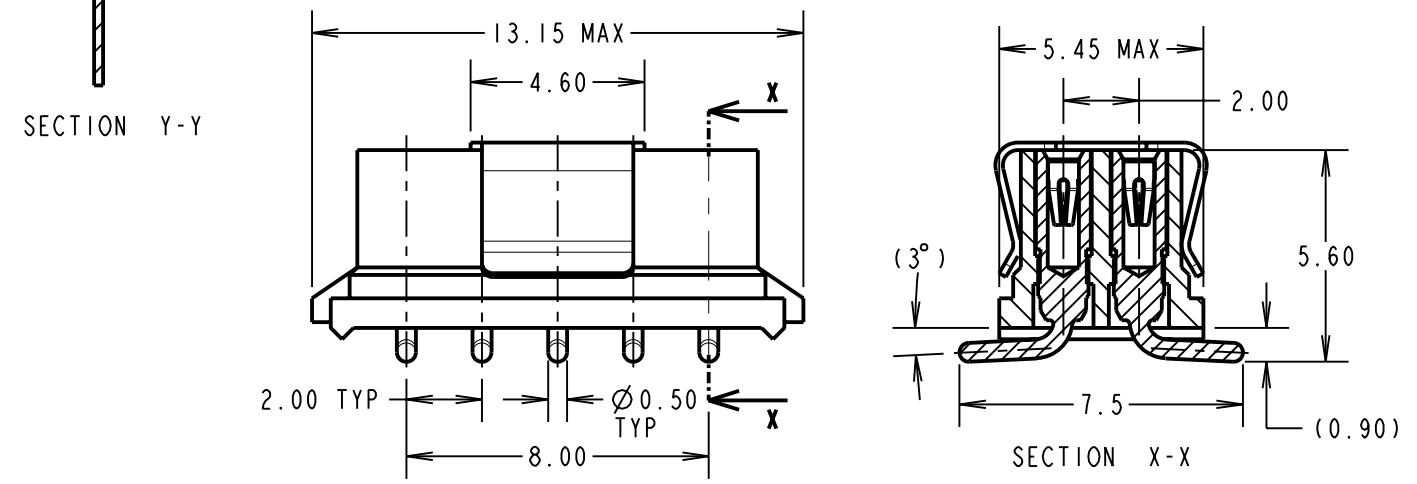
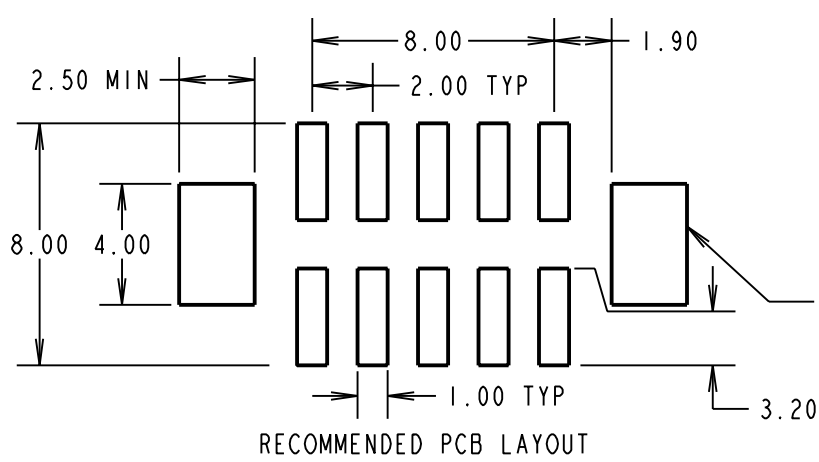
NOT TO SCALE

THIRD ANGLE PROJECTION

ALL DIMENSIONS IN mm



SPECIFICATIONS:
MATERIAL:
 MOULDING = GLASS-FILLED POLYAMIDE 46, UL94V-0, BLACK
 CONTACT CLIP = BERYLLIUM COPPER
 CONTACT SHELL = BRASS
 PICK & PLACE CAP = PHOSPHOR BRONZE
FINISH:
 01 = 0.3µ GOLD CLIP, 3.5µ 90/10 TIN/LEAD BODY
 42 = 0.3µ GOLD CLIP, 4µ 100% TIN SHELL
 45 = 0.75µ 100% GOLD
ELECTRICAL:
 CURRENT RATING AT 25°C = 3.0A MAX
 CURRENT RATING AT 85°C = 2.2A MAX
 WORKING VOLTAGE = 120V AC/DC
 VOLTAGE PROOF = 360V AC/DC
 CONTACT RESISTANCE = 25 mΩ MAX
 INSULATION RESISTANCE = 100 MΩ MIN
MECHANICAL:
 DURABILITY = 500 OPERATIONS
 INSERTION FORCE = 2.8N MAX, 1.0N MIN
 WITHDRAWAL FORCE = 1.8N MAX, 0.2N MIN
ENVIRONMENTAL:
 TEMPERATURE RANGE = -55°C TO +125°C



REELED PART No.	LOOSE PART No.	DIM 'A'	DIM 'B'	DIM 'C'	FINISH
M80-6811042R	M80-6811042P	(32.0±0.3)	(14.20±0.15)	(28.40)	100% TIN
M80-6811001R	M80-6811001P				GOLD CLIP, TIN/LEAD SHELL
M80-6811045R	M80-6811045P				100% GOLD

NOTES:
 1. QUANTITY OF COMPONENTS PER REEL = 400.
 2. THIS PRODUCT IS TAPED AND REELED IN ACCORDANCE WITH EIA-481-2-A (ELECTRONIC INDUSTRIES ASSOCIATION).
 3. FOR COMPLETE SPECIFICATION, SEE COMPONENT SPECIFICATION C005XX (LATEST ISSUE).
 4. COMPONENTS ARE ORIENTATED IN TAPE POCKETS SO THAT THE POLARISING FEATURES ARE FACING TOWARDS THE FREE END.

HARWIN

HARWIN USA TEL: 603 893 5376 FAX: 603 893 5396 mis@harwin.com	HARWIN Europe (UK) TEL: 023 9231 4545 FAX: 023 9231 4590 mis@harwin.co.uk	HARWIN Asia TEL: +65 6 779 4909 FAX: +65 6 779 3868 mis@harwin.com.sg
--	--	--

THIS DRAWING AND ANY INFORMATION OR DESCRIPTIVE MATTER SET OUT HEREON ARE CONFIDENTIAL AND COPYRIGHT PROPERTY OF THE HARWIN GROUP AND MUST NOT BE DISCLOSED, LOANED, COPIED OR USED FOR MANUFACTURING, TENDERING OR FOR ANY OTHER PURPOSE WITHOUT THEIR WRITTEN PERMISSION.

TOLERANCES
 X. = ±1mm
 X.X = ±0.25mm
 X.XX = ±0.10mm
 X.XXX = ±0.01mm
 ANGLES = ±5°
 UNLESS STATED

MATERIAL:
FINISH:
S/AREA: mm²

TITLE: DATAMATE DIL VERTICAL SMT SOCKET ASSEMBLY (TAPE AND REELED)
DRAWING NUMBER: M80-68110XXR
ASSEMBLY DRG:
 SM D 14.06.10 10832
 NAME ISS. DATE C/NOTE
 APPROVED: S. MCCULLAGH
 CHECKED: R. ADDE
 DRAWN: R. ADDE
 CUSTOMER REF.:
 SHT 2 OF 2

Mouser Electronics

Authorized Distributor

Click to View Pricing, Inventory, Delivery & Lifecycle Information:

[Harwin:](#)

[M80-6811042R](#)