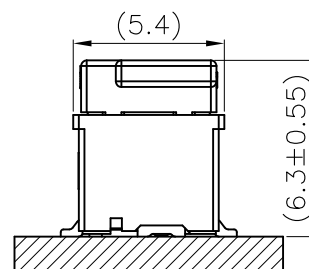
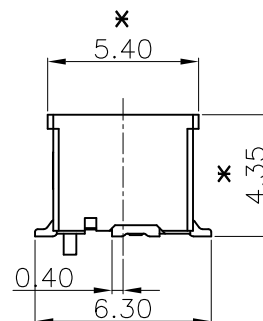
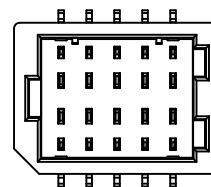
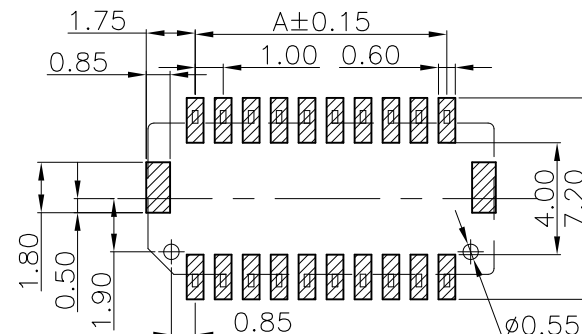


2x04~2x08



Mating Condition (REF.)



TOLERANCE: ±0.05
RECOMMENDED P.C.B. Layout
TOP VIEW

Pin	Dim.(mm)		Order Code
	A	B	
2X05	4.00	7.30	M40-3020546
2X06	5.00	8.30	M40-3020646
2X07	6.00	9.30	M40-3020746
2X08	7.00	10.30	M40-3020846
2X10	9.00	12.30	M40-3021046
2X12	11.00	14.30	M40-3021246
2X15	14.00	17.30	M40-3021546
2X20	19.00	22.30	M40-3022046
2X25	24.00	27.30	M40-3022546

Leo	9	22.05.19	A541
Leo	8	08.02.18	A532
Allan	7	28.07.09	A225
Allan	6	06.10.08	A166
Allan	5	25.06.08	A136
Allan	4	25.06.08	A132
Allan	3	19.06.08	A130
Allan	2	29.06.07	A056
Allan	1	01.08.06	--

NAME	ISS.	DATE	C/NOTE
------	------	------	--------

APPROVED: B.Lim

CHECKED: D.P

DRAWN: Leo

CUSTOMER REF.:

ASSEMBLY DRG.:

SPECIFICATIONS:

MATERIAL:

INSULATION: LCP, UL94V-0 (HALOGEN FREE); COLOR: CREAM
CONTACT: COPPER ALLOY, t=0.20mm

FINISH:

MATTE-TIN PLATED OVER NICKEL

ELECTRICAL:

CURRENT RATING: 1A AC/DC
WORKING VOLTAGE: 50V AC/DC
WITHSTANDING VOLTAGE: 500V AC/MINUTE
CONTACT RESISTANCE: 20 mΩ MAX.
INSULATION RESISTANCE: 100 MΩ MIN.

ENVIRONMENTAL:

TEMPERATURE RANGE: -25°C TO +85°C

NOTE:

ALL DIMENSIONS AND NOTES MARKED * ARE CRITICAL AND
MUST BE CHECKED IN ACCORDANCE WITH QUALITY DOC. QI-02A

#NOTE: REMOVE R FOR LOOSE BAG PACKING

ORDER CODE	NO. OF WAYS	WITH R: REEL PACKING	WITHOUT R: LOOSE BAG PACKING (10 PCS PER STRIP, 10 STRIPS PER BAG)
M40-302 XX 46R			

HARWIN

HARWIN USA
TEL: 603 893 5376
FAX: 603 893 5396
mis@harwin.com

HARWIN Europe (UK)
TEL: 023 9231 4545
FAX: 023 9231 4590
mis@harwin.co.uk

HARWIN Asia
TEL: +65 6 779 4909
FAX: +65 6 779 3868
mis@harwin.com.sg

THIS DRAWING AND ANY
INFORMATION OR DESCRIPTIVE
MATTER SET OUT HEREON ARE
CONFIDENTIAL AND COPYRIGHT
PROPERTY OF THE HARWIN
GROUP AND MUST NOT BE
DISCLOSED, LOANED, COPIED
OR USED FOR MANUFACTURING,
TENDERING OR FOR ANY
OTHER PURPOSE WITHOUT
THEIR WRITTEN PERMISSION.

TOLERANCES
X. = ±1mm
X.X = ±0.25mm
X.XX = ±0.15mm
X.XXX = ±0.08mm
ANGLES = ±5°
UNLESS STATED

MATERIAL:

SEE NOTES

FINISH:

SEE NOTES

S/AREA:

mm²

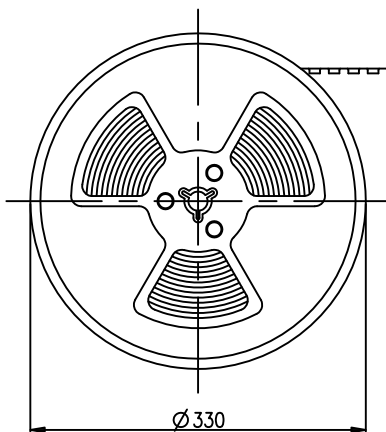
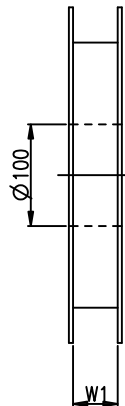
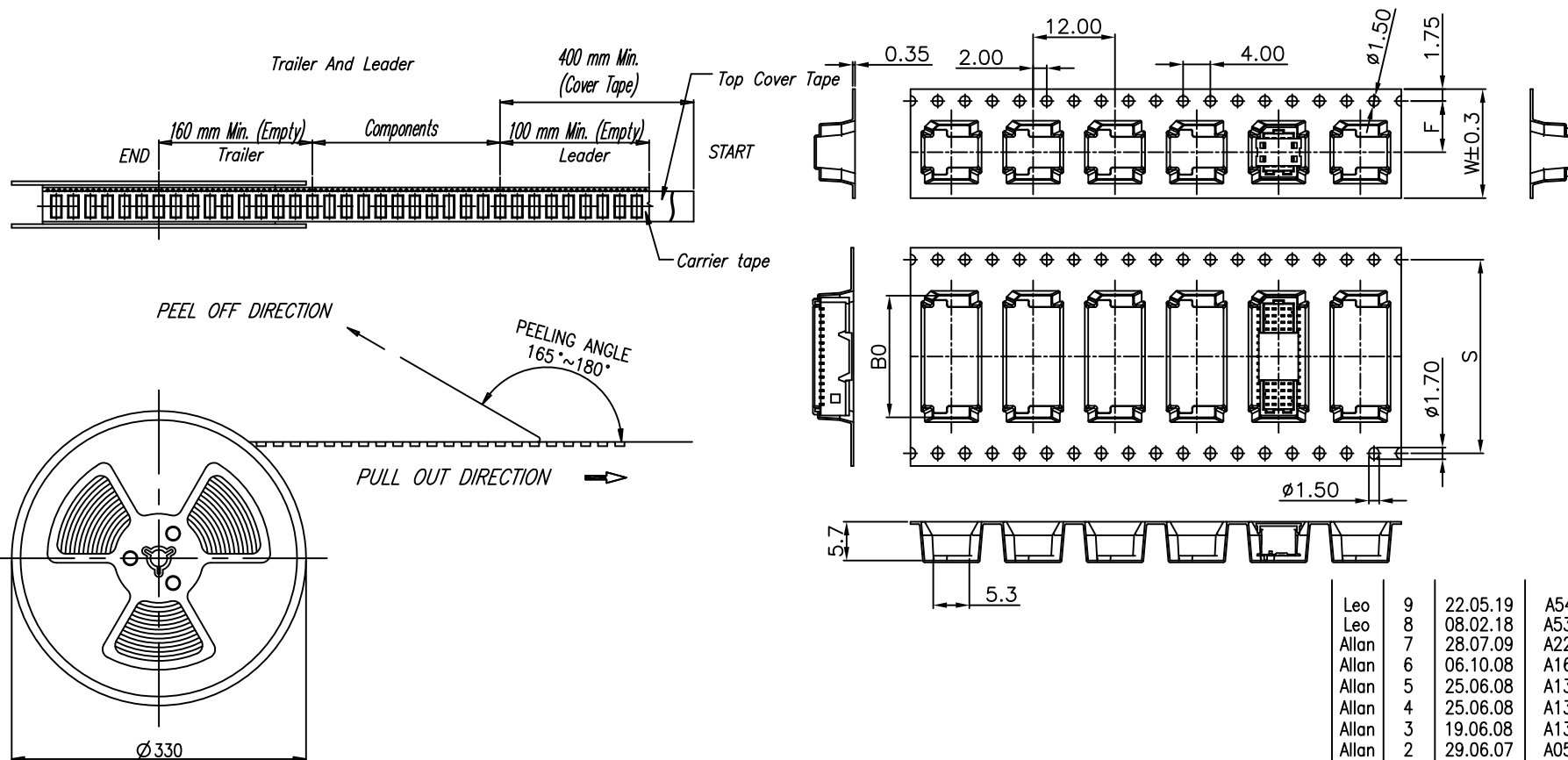
TITLE:

WAFER 1.00mm DIL SMT TYPE

DRAWING NUMBER:

M40-302 XX 46 X

SHT
1
OF
2



PIN	B0	F	S	W	W1	PIN	B0	F	S	W	W1
2x04	6.85	7.50	--	16.00	16.50	2x10	12.85	11.50	--	24.00	24.50
2x05	7.85	7.50	--	16.00	16.50	2x11	13.85	11.50	--	24.00	24.50
2x06	8.85	7.50	--	16.00	16.50	2x12	14.85	11.50	--	24.00	24.50
2x07	9.85	11.50	--	24.00	24.50	2x15	17.85	14.20	28.40	32.00	32.50
2x08	10.85	11.50	--	24.00	24.50	2x20	22.85	20.20	40.40	44.00	44.50

1. 10 SPROCKET HOLE PITCH CUMULATIVE TOLERANCE ± 0.20
2. CARRIER CAMBER IS WITHIN 1 mm IN 250 mm
3. THE TOTAL TEARING CONTROL RANGE OF TOP COVER TAPE IS 10~130g, REFERENCE SPEC: EIA-481-D
4. PEELING SPEED: 300mm/MINUTES, REFERENCE SPEC: EIA-481-D
5. MATERIAL: TRANSPARENT CONDUCTIVE POLYSTYRENE ALLOY.(UP-5000)
6. ALL DIMENSIONS MEET EIA-481-D REQUIREMENTS
7. THICKNESS : 0.40 ± 0.05 mm
8. COMPONENT LOAD PER 13" REEL : 1000 PCS

NOTE: ALL DIMENSIONS AND NOTES MARKED * ARE CRITICAL AND MUST BE CHECKED IN ACCORDANCE WITH QUALITY DOC. QI-02A

Leo	9	22.05.19	A541
Leo	8	08.02.18	A532
Allan	7	28.07.09	A225
Allan	6	06.10.08	A166
Allan	5	25.06.08	A136
Allan	4	25.06.08	A132
Allan	3	19.06.08	A130
Allan	2	29.06.07	A056
Allan	1	01.08.06	--

NAME	ISS.	DATE	C/NOTE
------	------	------	--------

APPROVED: B.Lim

CHECKED: D.P

DRAWN: Leo

CUSTOMER REF.:

ASSEMBLY DRG:

HARWIN

HARWIN USA
TEL: 603 893 5376
FAX: 603 893 5396
mis@harwin.com

HARWIN Europe (UK)
TEL: 023 9231 4545
FAX: 023 9231 4590
mis@harwin.co.uk

HARWIN Asia
TEL: +65 6 779 4909
FAX: +65 6 779 3868
mis@harwin.com.sg

THIS DRAWING AND ANY INFORMATION OR DESCRIPTIVE MATTER SET OUT HEREON ARE CONFIDENTIAL AND COPYRIGHT PROPERTY OF THE HARWIN GROUP AND MUST NOT BE DISCLOSED, LOANED, COPIED OR USED FOR MANUFACTURING, TENDERING OR FOR ANY OTHER PURPOSE WITHOUT THEIR WRITTEN PERMISSION.

TOLERANCES
X. = ± 1 mm
X.X = ± 0.25 mm
X.XX = ± 0.15 mm
X.XXX = ± 0.08 mm
ANGLES = $\pm 5^\circ$
UNLESS STATED

MATERIAL: SEE NOTES
FINISH: SEE NOTES
S/AREA: mm²

TITLE: WAFER 1.00mm DIL SMT TYPE

DRAWING NUMBER: M40-302 XX 46 X

SHT
2
OF
2

Mouser Electronics

Authorized Distributor

Click to View Pricing, Inventory, Delivery & Lifecycle Information:

[Harwin:](#)

[M40-3021805](#) [M40-3021546](#) [M40-3021046](#) [M40-3021046R](#)