

Customer Information Sheet

IF IN DOUBT - ASK



NOT TO SCALE

THIRD ANGLE PROJECTION

ALL DIMENSIONS IN mm

TABLE 1: CONFIGURATIONS & BILL OF MATERIALS

ORDER CODE CONFIGURATIONS										BOM ITEM No.					
										1	2	3	4		
G125-XXXXXXXXLX-XXXXLXX										CONNECTOR 1 (SEE ORDER CODE FOR TOTAL No. OF CONTACTS)	PTFE WIRE (SEE C049XX OR USE PART NUMBERS BELOW)	CONNECTOR 1 CONTACT (SEE ORDER CODE FOR QTY.)	HEATSHRINK		
G125	-	FC FD	1 2 3	XX	05 98 99 68	LO	-	XXXX	L	X	X	G125-204XX96 G125-205XX96	STANDARD WIRE WHITE/BLACK/RED (SEE C049XX) MULTI-COLOURED (SEE TABLE 2 ON SHEET 7)	FEMALE SIGNAL 26AWG: G125-0010005 28-30AWG: G125-0020005	FOR TWISTED PAIR CABLE ASSEMBLIES ONLY SEE C049XX FOR SPEC. (LATEST ISSUE)
												G125-304XX96L0 G125-304XX96L4	TWISTED PAIRS 2 TURNS PER INCH: WHITE & RED (SEE C049XX) 3 TURNS PER INCH: WHITE & GREEN (SEE C049XX)	MALE SIGNAL 26AWG: G125-1010005 28-30AWG: G125-1020005	

NOTES:

- FOR COMPLETE SPECIFICATION, INCLUDING WIRE TYPE AND GAUGE SEE COMPONENT SPECIFICATIONS C125XX & C049XX (LATEST ISSUES).
- FOR POTTING COMPOUND AND WIRE TYPE SEE C049XX COMPONENT SPECIFICATION.
- SEE SHEET 7 FOR ASSEMBLIES WITH STANDARD WIRING CONFIGURATIONS.
- SEE SHEET 8 FOR ASSEMBLIES WITH TWISTED PAIR WIRING CONFIGURATIONS.
- SEE SHEET 10 FOR HARDWARE FIXING INFORMATION.
- FOR ALL HOUSING DIMENSIONS, SEE RESPECTIVE DRAWINGS FOR BOM ITEM 1.
- CABLE ASSEMBLIES ARE BULK PACKED IN BAGS.
- CUSTOM LENGTH CABLE ASSEMBLIES CAN BE PRODUCED FROM 60mm TO 9999mm. CABLE LENGTH LESS THAN 60mm IS POSSIBLE, BUT MUST BE ENQUIRED.
- FOR TWISTED PAIR CABLE ASSEMBLIES USE '05' (WHITE) WIRE COLOUR IN ORDER CODE.
- AN ASSEMBLY WITH NO STRIPPED CABLE WITH HAVE THE LAST TWO CHARACTERS OF THE PART NUMBER BLANK (I.E. G125-XXXXXXXXLX-XXXXL).

ORDER CODE:

G125-XXXXXXXXLX-XXXXLXX

CONNECTOR:
F = FEMALE
M = MALE

WIRING STYLE:
C = STANDARD
WIRE ONLY
D = TWISTED
PAIR ONLY

WIRE GAUGE:
1 = 26AWG
2 = 28AWG
3 = 30AWG

TOTAL No. OF CONTACTS:
06, 10, 12, 16,
20, 26, 34, 50

LENGTH OF SIGNAL
CABLE PRE-STRIP (DIM 'C'):
X = 1-9mm

WIRE END:
BLANK = CUT END
A = PRE-STRIPPED (IS-37 & IS-44)
B = PRE-STRIPPED CUSTOM LENGTH

DIM 'A' LENGTH:
0060 = 60mm MIN
9999 = 9999mm MAX

CONNECTOR FIXING STYLE:
L0 = NO LATCHES
L4 = LATCHES (MALE ONLY)

WIRE COLOUR:
05 = WHITE
68 = MULTI-COLOURED
98 = BLACK
99 = RED

RTP	2	12.06.24	33917
NAME	ISS.	DATE	CN/CO
APPROVED: R.PORTLOCK			
CHECKED: A.BOXALL			
DRAWN: R.PORTLOCK			
ASSEMBLY DRG:			



www.harwin.com

TOLERANCES
X. = ±1mm
X.X = ±0.50mm
X.XX = ±0.20mm
X.XXX = ±0.01mm

ANGLES = ±5°
UNLESS STATED

THIS DRAWING AND ANY INFORMATION OR DESCRIPTIVE MATTER SET OUT HEREON ARE CONFIDENTIAL AND COPYRIGHT PROPERTY OF THE HARWIN GROUP AND MUST NOT BE DISCLOSED, LOANED, COPIED OR USED FOR MANUFACTURING, TENDERING OR FOR ANY OTHER PURPOSE WITHOUT THEIR WRITTEN PERMISSION.

MATERIAL:

SEE ABOVE

TITLE:
**GECKO LATCHED
SINGLE-ENDED CABLE ASSEMBLY**

DRAWING NUMBER:
G125-XXXXXXXXLX-XXXXLXX

Customer Information Sheet

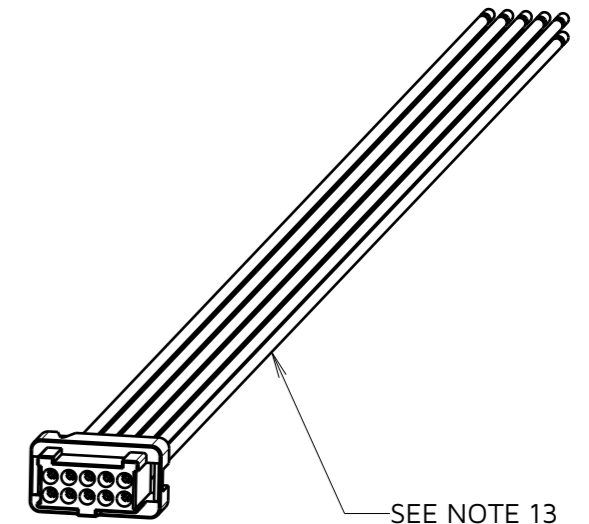
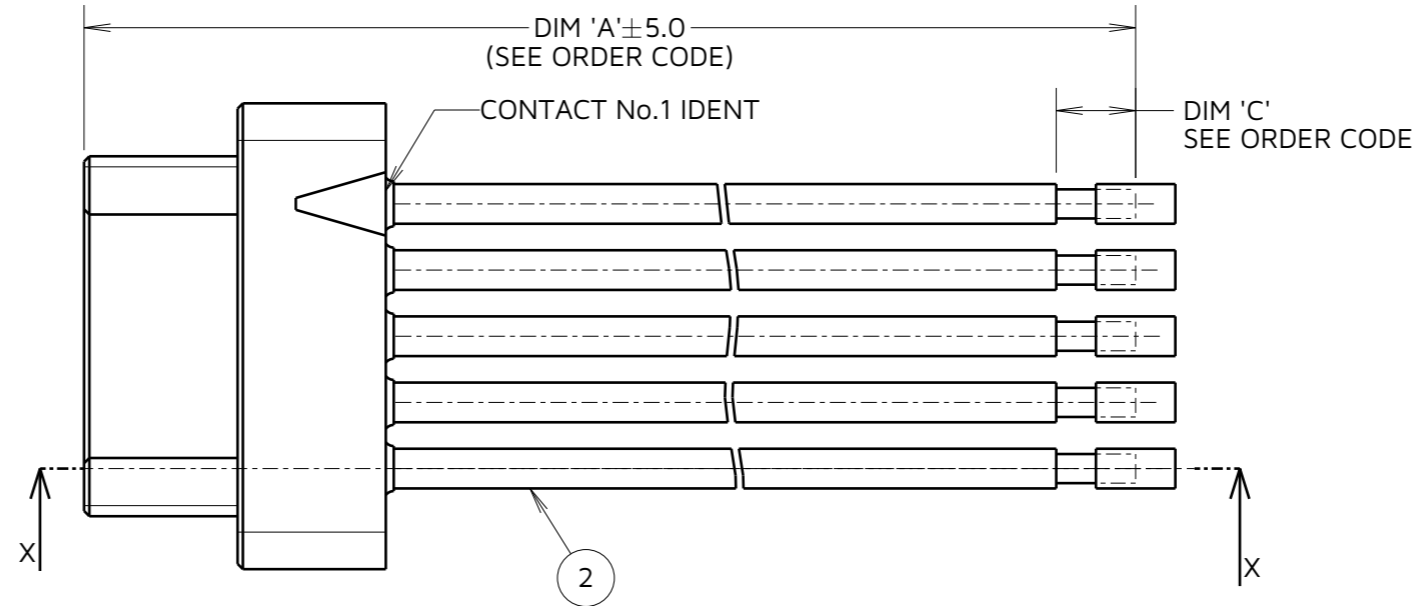
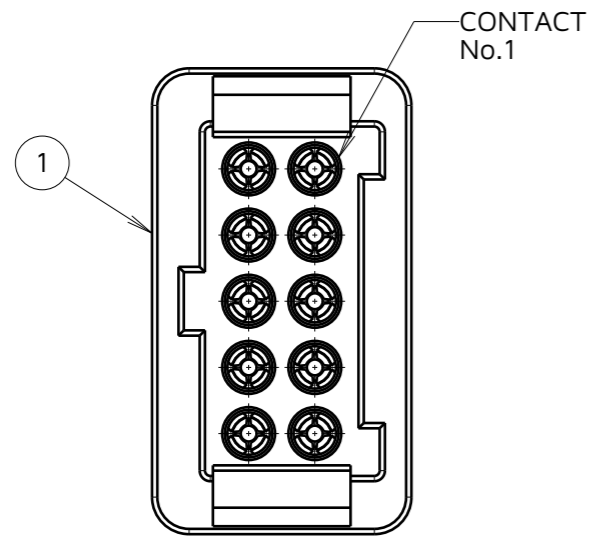
IF IN DOUBT - ASK



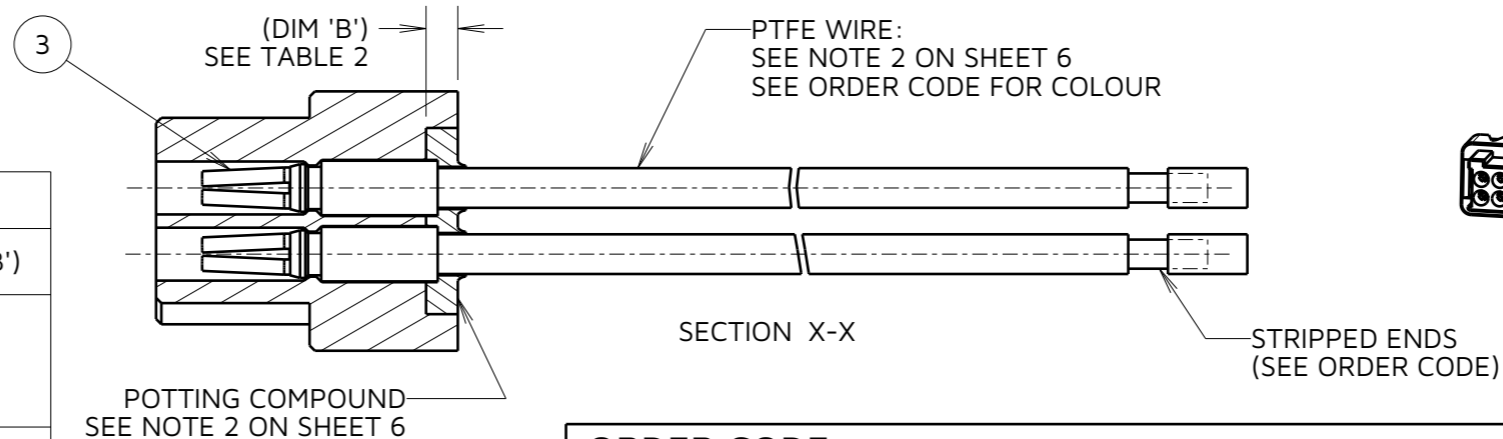
NOT TO SCALE

THIRD ANGLE PROJECTION

ALL DIMENSIONS IN mm



WIRING STYLE (SEE ORDER CODE)	WIRING STYLE DESCRIPTION	(DIM 'B')
C	STANDARD WIRING & STANDARD BACKPOTTING WALL	0.60
D	TWISTED PAIR & STANDARD BACKPOTTING WALL	
E	STANDARD WIRING & EXTENDED BACKPOTTING WALL	2.60
F	TWISTED PAIR & EXTENDED BACKPOTTING WALL	



CONTACT No.	WIRE COLOUR
1	BLACK
2	BROWN
3	RED
4	ORANGE
5	YELLOW
6	GREEN
7	BLUE
8	VIOLET
9	GREY
10	WHITE

WIRE COLOURS REPEAT IN ABOVE ORDER FOR CONNECTOR ASSEMBLIES OVER 10 CONTACTS.

EXAMPLE SHOWN: FEMALE STANDARD WIRING
G125-FC11005LO-0150LB2

NOTES:
11. FOR POSSIBLE COMBINATIONS, SEE BOM TABLE ON SHEET 6.
12. ASSEMBLY SHOWN FOR ILLUSTRATIVE PURPOSES ONLY. SEE ORDER CODE FOR PART NUMBER.

ORDER CODE:

G125-XXXXXXXXLX-XXXXLXX

CONNECTOR: F = FEMALE M = MALE	LENGTH OF SIGNAL CABLE PRE-STRIP (DIM 'C'): X = 1-9mm
WIRING STYLE: C = STANDARD WIRE ONLY D = TWISTED PAIR ONLY	WIRE END: BLANK = CUT END A = PRE-STRIPPED (IS-37 & IS-44) B = PRE-STRIPPED CUSTOM LENGTH
WIRE GAUGE: 1 = 26AWG 2 = 28AWG 3 = 30AWG	DIM 'A' LENGTH: 0060 = 60mm MIN 9999 = 9999mm MAX
TOTAL No. OF CONTACTS: 06, 10, 12, 16, 20, 26, 34, 50	CONNECTOR FIXING STYLE: LO = NO LATCHES L4 = LATCHES (MALE ONLY)
	WIRE COLOUR: 05 = WHITE 68 = MULTI-COLOURED 98 = BLACK 99 = RED

RTP	2	12.06.24	33917
NAME	ISS.	DATE	CN/CO
APPROVED: R.PORTLOCK			
CHECKED: A.BOXALL			
DRAWN: R.PORTLOCK			
ASSEMBLY DRG:			

HARWIN

www.harwin.com

TOLERANCES
X. = ±1mm
X.X = ±0.50mm
X.XX = ±0.20mm
X.XXX = ±0.01mm
ANGLES = ±5°
UNLESS STATED

THIS DRAWING AND ANY INFORMATION OR DESCRIPTIVE MATTER SET OUT HEREON ARE CONFIDENTIAL AND COPYRIGHT PROPERTY OF THE HARWIN GROUP AND MUST NOT BE DISCLOSED, LOANED, COPIED OR USED FOR MANUFACTURING, TENDERING OR FOR ANY OTHER PURPOSE WITHOUT THEIR WRITTEN PERMISSION.

MATERIAL:
SEE SHEET 6

TITLE:
GECKO LATCHED SINGLE-ENDED CABLE ASSEMBLY

DRAWING NUMBER:
G125-XXXXXXXXLX-XXXXLXX

SHT
7 OF
10

Customer Information Sheet

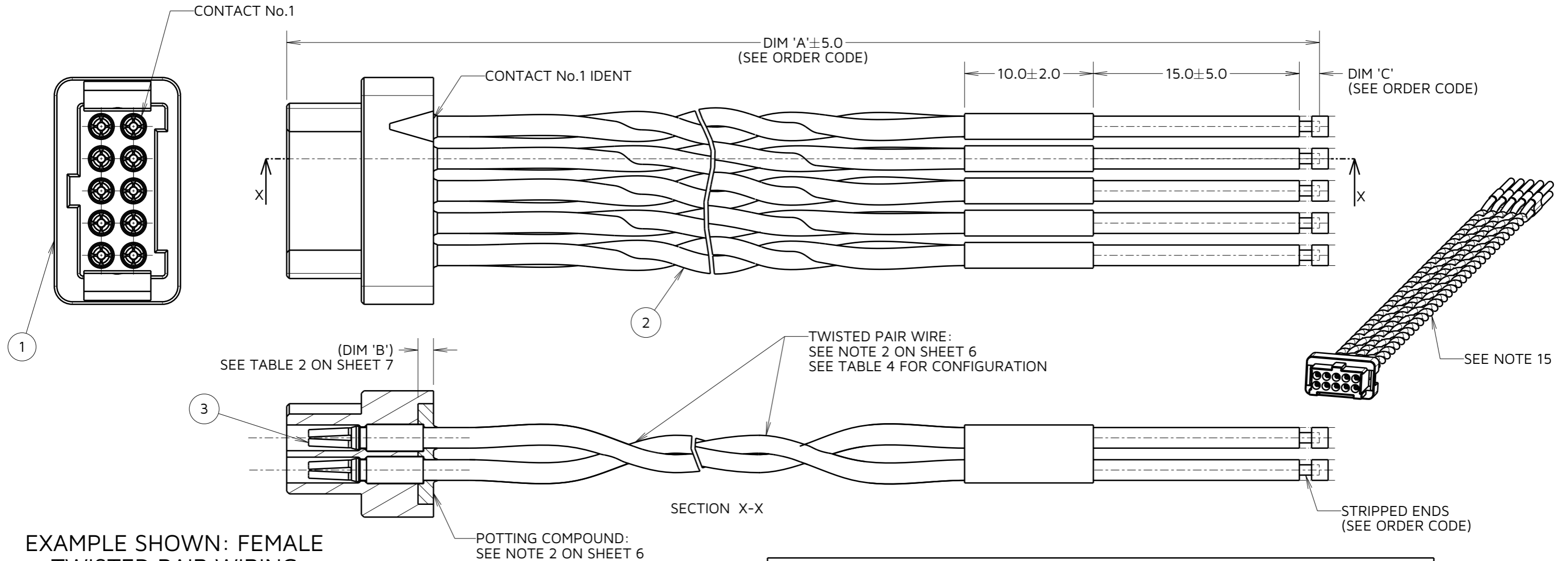
IF IN DOUBT - ASK

©

NOT TO SCALE

THIRD ANGLE PROJECTION

ALL DIMENSIONS IN mm



EXAMPLE SHOWN: FEMALE
TWISTED PAIR WIRING
G125-FD11005LO-0150LB1

TWISTED PAIR No.	CONNECTOR PIN No.	TURNS PER INCH	WIRE COLOUR
1	1	3	WHITE & GREEN
	6		
2	2	2	WHITE & RED
	7		
3	3	3	WHITE & GREEN
	8		
4	4	2	WHITE & RED
	9		
5	5	3	WHITE & GREEN
	10		

- NOTES:
 13. FOR POSSIBLE COMBINATIONS, SEE BOM TABLE ON SHEET 6.
 14. ASSEMBLY SHOWN FOR ILLUSTRATIVE PURPOSES ONLY. SEE ORDER CODE FOR PART NUMBER.
 15. TWISTED PAIR ASSEMBLIES SUPPLIED WITH HEATSHRINK TO PREVENT PAIRS UNTWISTING.

ORDER CODE:
G125-XXXXXXXXLX-XXXXLXX

CONNECTOR:
 F = FEMALE
 M = MALE

WIRING STYLE:
 C = STANDARD WIRE ONLY
 D = TWISTED PAIR ONLY

WIRE GAUGE:
 1 = 26AWG
 2 = 28AWG
 3 = 30AWG

TOTAL No. OF CONTACTS:
 06, 10, 12, 16,
 20, 26, 34, 50

LENGTH OF SIGNAL CABLE PRE-STRIP (DIM 'C'):
 X = 1-9mm

WIRE END:
 BLANK = CUT END
 A = PRE-STRIPPED (IS-37 & IS-44)
 B = PRE-STRIPPED CUSTOM LENGTH

DIM 'A' LENGTH:
 0060 = 60mm MIN
 9999 = 9999mm MAX

CONNECTOR FIXING STYLE:
 LO = NO LATCHES
 L4 = LATCHES (MALE ONLY)

WIRE COLOUR:
 05 = WHITE
 68 = MULTI-COLOURED
 98 = BLACK
 99 = RED

FOR CONNECTORS WITH MORE THAN 10 SIGNAL CONTACTS, CONTINUE TWIST & CABLE PIN OUT CONVENTION IN THE SAME PATTERN.
 (I.E. TWISTED PAIR BETWEEN CONTACT X & CONTACT X)

SEE BILL OF MATERIALS TABLE ON SHEET 6 FOR TWISTED PAIR PART NUMBERS.

RTP	2	12.06.24	33917
NAME	ISS.	DATE	CN/CO
APPROVED: R.PORTLOCK			
CHECKED: A.BOXALL			
DRAWN: R.PORTLOCK			
ASSEMBLY DRG:			

Customer Information Sheet

IF IN DOUBT - ASK

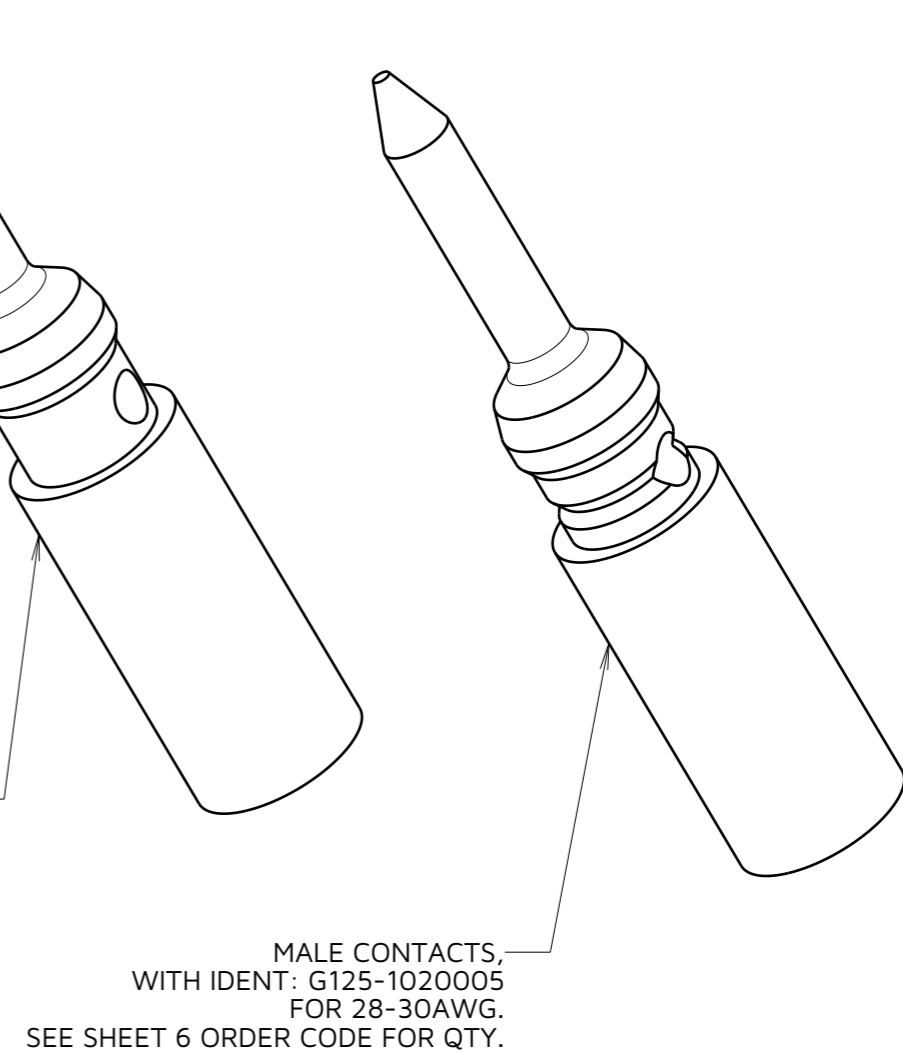
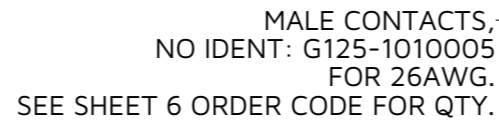
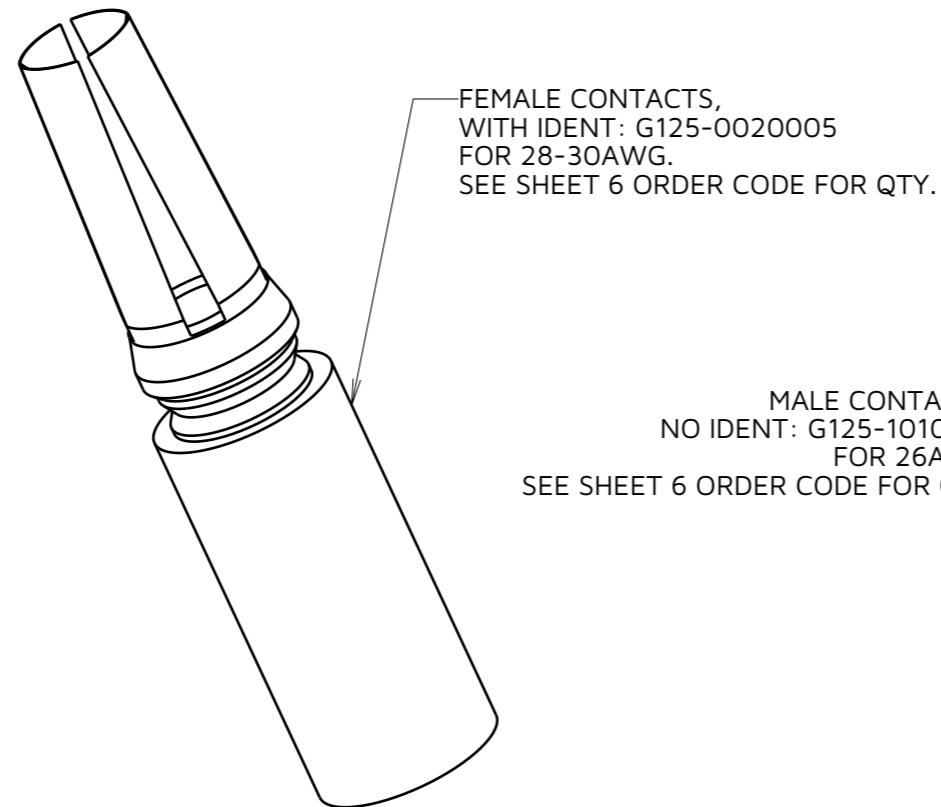
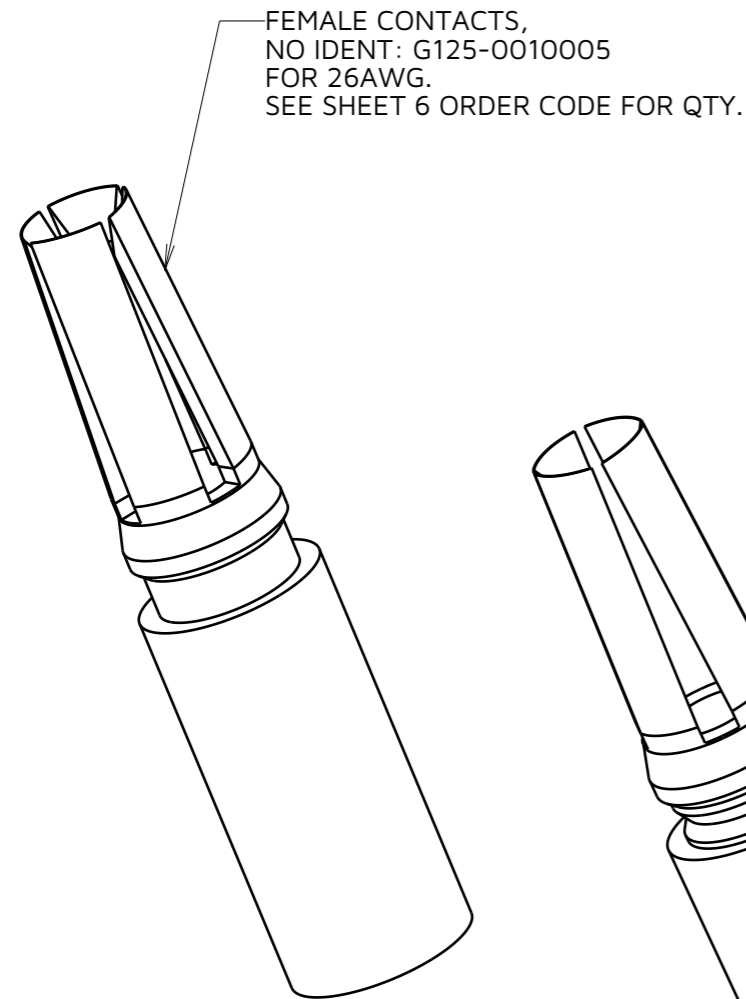
©

NOT TO SCALE

THIRD ANGLE PROJECTION

ALL DIMENSIONS IN mm

CONTACT IDENTIFICATION



RTP	2	12.06.24	33917
NAME	ISS.	DATE	CN/CO
APPROVED: R.PORTLOCK			
CHECKED: A.BOXALL			
DRAWN: R.PORTLOCK			
ASSEMBLY DRG:			

HARWIN

www.harwin.com

TOLERANCES
X. = ±1mm
X.X = ±0.50mm
X.XX = ±0.20mm
X.XXX = ±0.01mm
ANGLES = ±5°
UNLESS STATED

THIS DRAWING AND ANY INFORMATION OR DESCRIPTIVE MATTER SET OUT HEREON ARE CONFIDENTIAL AND COPYRIGHT PROPERTY OF THE HARWIN GROUP AND MUST NOT BE DISCLOSED, LOANED, COPIED OR USED FOR MANUFACTURING, TENDERING OR FOR ANY OTHER PURPOSE WITHOUT THEIR WRITTEN PERMISSION.

MATERIAL:

SEE SHEET 6

TITLE:
**GECKO LATCHED
SINGLE-ENDED CABLE ASSEMBLY**

DRAWING NUMBER:
G125-XXXXXXXXLX-XXXXLXX

SHT
9
OF
10

Customer Information Sheet

IF IN DOUBT - ASK

©

NOT TO SCALE

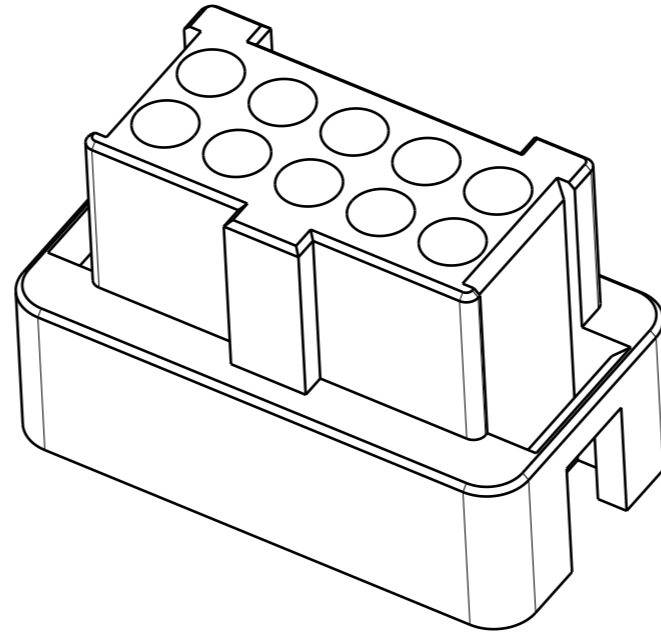
THIRD ANGLE PROJECTION

ALL DIMENSIONS IN mm

FIXING STYLES

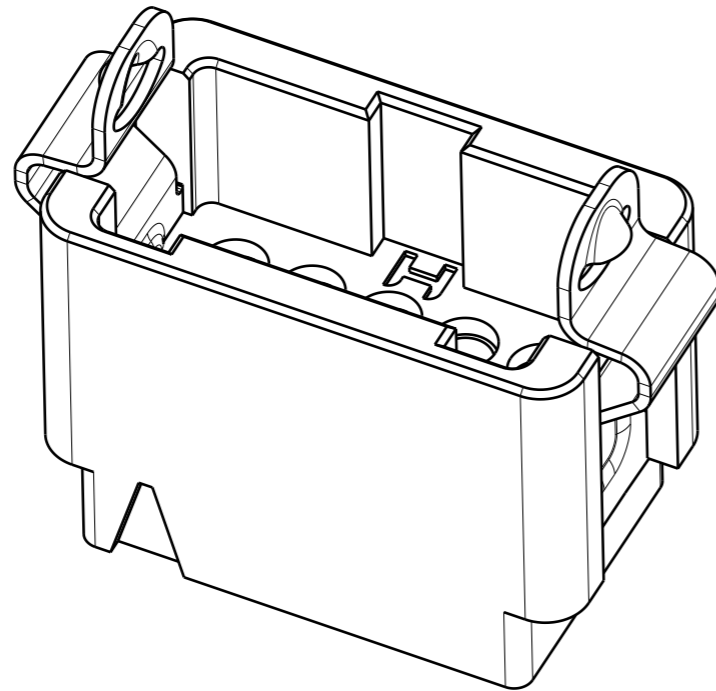
LO - FEMALE

EXAMPLE: G125-2041096



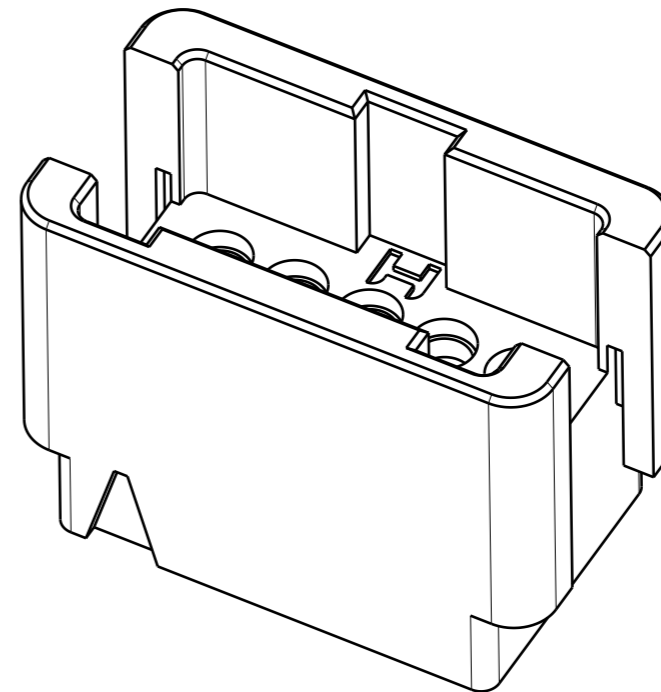
L4 - MALE ONLY

EXAMPLE: G125-3041096L4



LO - MALE

EXAMPLE: G125-3041096



RTP	2	12.06.24	33917
NAME	ISS.	DATE	CN/CO
APPROVED: R.PORTLOCK			
CHECKED: A.BOXALL			
DRAWN: R.PORTLOCK			
ASSEMBLY DRG:			

NOTES:

16. SEE BILL OF MATERIALS TABLE ON SHEET 6 AND ORDER CODE FOR FIXING IDENTIFICATION.

HARWIN

www.harwin.com

TOLERANCES

X. = ±1mm
 X.X = ±0.50mm
 X.XX = ±0.20mm
 X.XXX = ±0.01mm
 ANGLES = ±5°
 UNLESS STATED

THIS DRAWING AND ANY INFORMATION OR DESCRIPTIVE MATTER SET OUT HEREON ARE CONFIDENTIAL AND COPYRIGHT PROPERTY OF THE HARWIN GROUP AND MUST NOT BE DISCLOSED, LOANED, COPIED OR USED FOR MANUFACTURING, TENDERING OR FOR ANY OTHER PURPOSE WITHOUT THEIR WRITTEN PERMISSION.

MATERIAL:

SEE SHEET 6

TITLE:

GECKO LATCHED SINGLE-ENDED CABLE ASSEMBLY

DRAWING NUMBER:

G125-XXXXXXXXLX-XXXXLXX

SHT
10
OF
10

Mouser Electronics

Authorized Distributor

Click to View Pricing, Inventory, Delivery & Lifecycle Information:

[Harwin:](#)

[G125-MC10605M3-0080F1](#) [G125-MC11605M3-0080F1](#)