

Customer Information Sheet

IF IN DOUBT - ASK

©

NOT TO SCALE

THIRD ANGLE PROJECTION

ALL DIMENSIONS IN mm

TABLE 1: CABLE CONNECTOR DIMENSIONS

PART No.	DIM 'A'	DIM 'B'	DIM 'C'
M55-4000242-XXXXA	12.42	4.29	1.27
M55-4000342-XXXXA	13.69	5.56	2.54
M55-4000442-XXXXA	14.96	6.83	3.81
M55-4000642-XXXXA	17.50	9.37	6.35
M55-4000842-XXXXA	20.04	11.91	8.89
M55-4001042-XXXXA	22.58	14.45	11.43
M55-4001242-XXXXA	25.12	16.99	13.97

SPECIFICATIONS:

MATERIAL:

HOUSING = HIGH TEMP, PPA, UL94V-0

CONTACT = COPPER ALLOY

PLATING:

CONTACT = GOLD OVER NICKEL ON CONTACT AREA

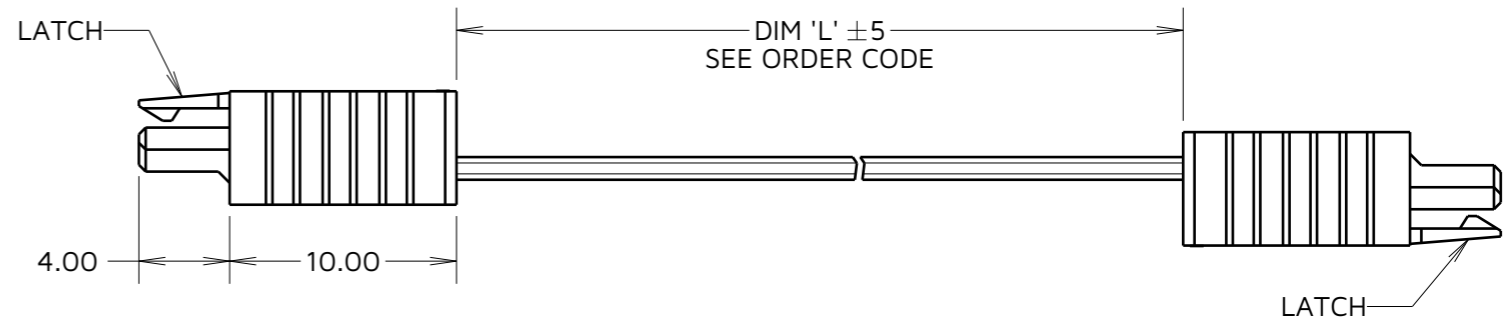
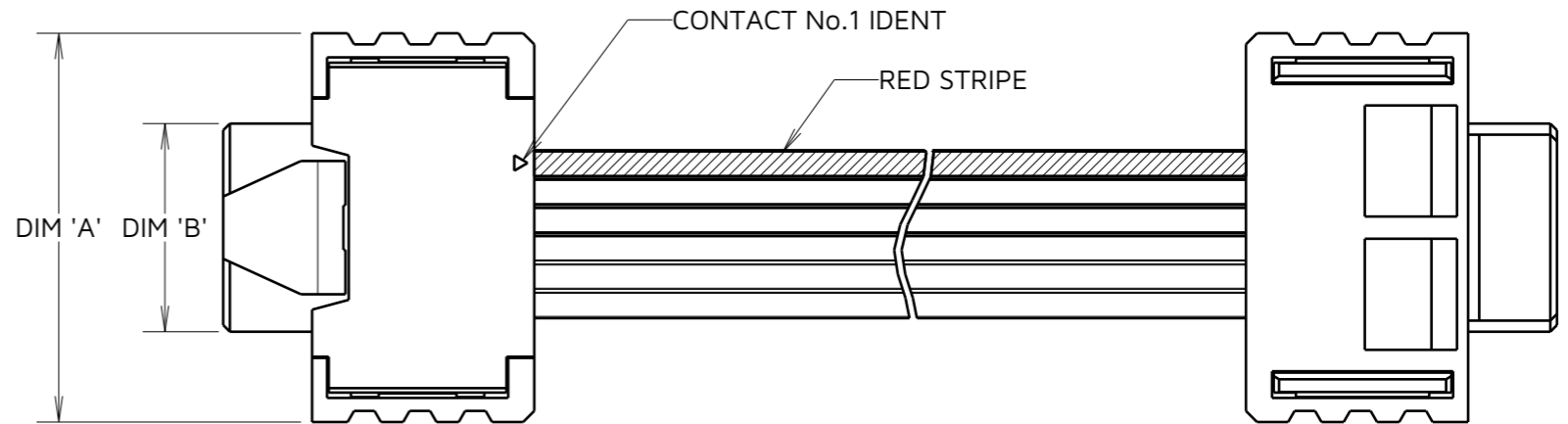
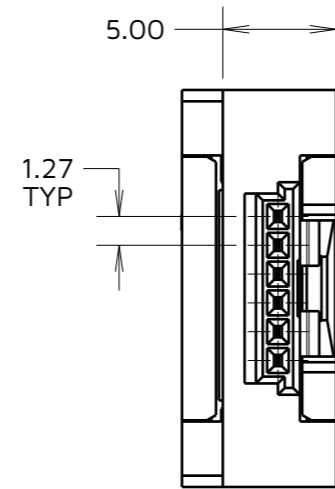
WIRE:

PVC, 26 AWG

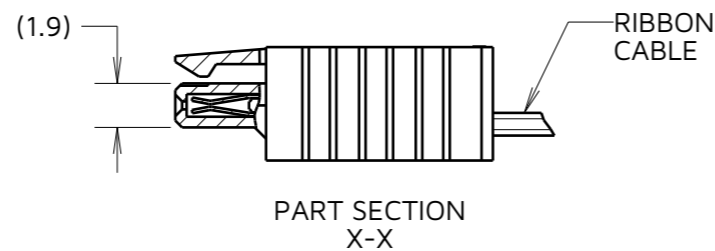
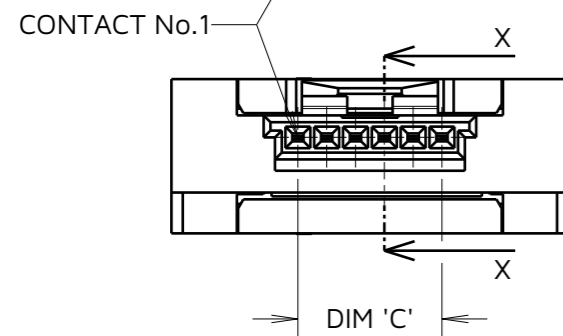
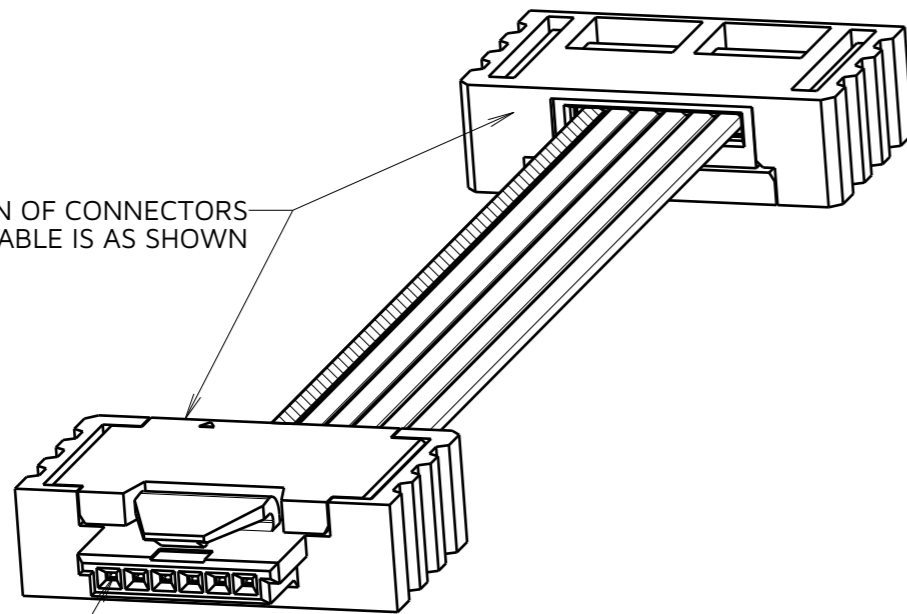
PACKING:

INDIVIDUALLY BAGGED

FOR COMPLETE SPECIFICATION, SEE COMPONENT SPECIFICATION C047XX (LATEST ISSUE)



ORIENTATION OF CONNECTORS ON RIBBON CABLE IS AS SHOWN



ORDER CODE:

M55-400XX42-XXXXA

TOTAL No. OF CONTACTS:

02, 03, 04, 06,
08, 10, 12

DIM 'L' STOCKED LENGTH:

0150 = 150mm
0300 = 300mm

FINISH:

42 = GOLD FLASH ON CONTACT AREA
TIN TAILS

NOTES:

- ALL TOLERANCES ARE $\pm 0.20\text{mm}$ UNLESS OTHERWISE STATED.
- FOR COMPLETE SPECIFICATION, SEE COMPONENT SPECIFICATION C047XX (LATEST ISSUE).
- WIRING OF CONNECTOR:
CONTACT 1 TO CONTACT 1
CONTACT 2 TO CONTACT 2 ETC.

RA	1	21.10.24	34909
NAME	ISS.	DATE	CN/CO
APPROVED:		A.BOXALL	
CHECKED:		A.YEOMANS	
DRAWN:		R.ALEXANDER	

HARWIN

www.harwin.com

TOLERANCES
X. = $\pm 1\text{mm}$
X.X = $\pm 0.50\text{mm}$
X.XX = $\pm 0.20\text{mm}$
X.XXX = $\pm 0.01\text{mm}$
ANGLES = $\pm 5^\circ$
UNLESS STATED

THIS DRAWING AND ANY INFORMATION OR DESCRIPTIVE MATTER SET OUT HEREON ARE CONFIDENTIAL AND COPYRIGHT PROPERTY OF THE HARWIN GROUP AND MUST NOT BE DISCLOSED, LOANED, COPIED OR USED FOR MANUFACTURING, TENDERING OR FOR ANY OTHER PURPOSE WITHOUT THEIR WRITTEN PERMISSION.

MATERIAL & FINISH:

SEE ABOVE

TITLE:
KONTROL 1.27mm PITCH SIL IDC FEMALE CABLE ASSEMBLY

DRAWING NUMBER:
M55-400XX42-XXXXA

SHT
2 OF 2

Mouser Electronics

Authorized Distributor

Click to View Pricing, Inventory, Delivery & Lifecycle Information:

[Harwin:](#)

[M55-4000442-0300A](#) [M55-4000642-0300A](#) [M55-4000842-0150A](#) [M55-4000242-0300A](#) [M55-4000342-0300A](#) [M55-4000442-0150A](#) [M55-4001042-0150A](#) [M55-4000642-0150A](#) [M55-4001242-0300A](#) [M55-4001242-0150A](#) [M55-4000242-0150A](#) [M55-4000342-0150A](#) [M55-4000842-0300A](#) [M55-4001042-0300A](#)