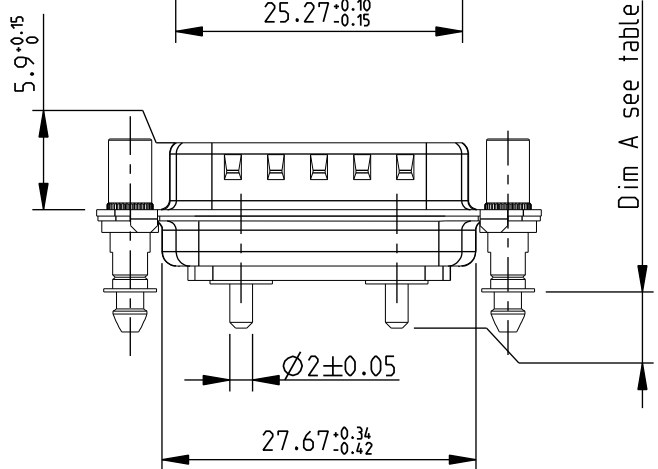
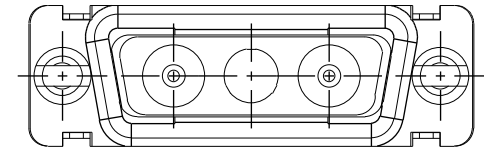
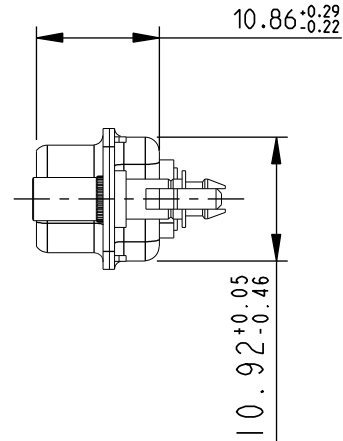
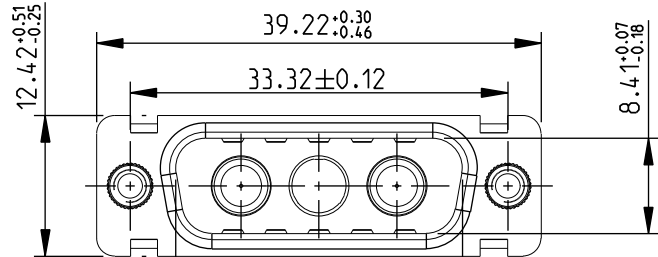


PART NUMBER

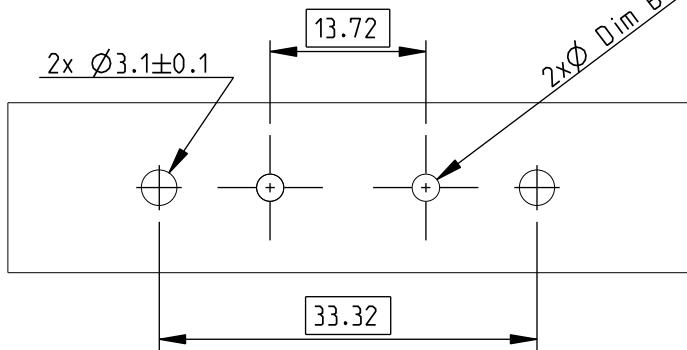
DAV3W3P300GXX5JLF

30 : 30A POWER  
40 : 40A POWER



	Dim A ±0.25	∅Dim B ±0.1
30A	3.1	2.40
40A	3.6	3.10

NOTES  
1 - 5J FOR UNMOUNTED MIDDLE POWER CONTACT  
2 - GENERAL CHARACTERISTICS AND ROHS INFORMATIONS  
SEE DRAWING NUMBER : C01-8639-2241



rev	ecn no	dr	date
A	F10-0225	APA	10/09/23
-	-	-	-
-	-	-	-
-	-	-	-
-	-	-	-

www.fciconnect.com		surface - ✓	tolerance std	projection	mm
		ISO 1302	ISO 406 ISO 1101	⊕	↔
		TOLERANCES UNLESS OTHERWISE SPECIFIED			
Dr	A Parrenin	10/09/22	ANGULAR	LINEAR	size A4
Eng	A Parrenin	10/09/22	0.x	±/	Scale 3:2
Chr	L Saillard	10/09/22	0.xx	±/	ECN F10-0225
Appr	/	/	0.xxx	±/	Spec ref /
		Product family			
FCI		title Specific 3W3		dwg no C01-8639-2360	Rev. A
		SUB-D		CUSTOMER sheet 1 of 1	
		catalog no			



Copyright FCI.

REV C - 2006-03-28

# Mouser Electronics

Authorized Distributor

Click to View Pricing, Inventory, Delivery & Lifecycle Information:

[FCI / Amphenol:](#)

[DAV3W3P300G405JLF](#) [DAV3W3P300G305JLF](#)