

A

B

C

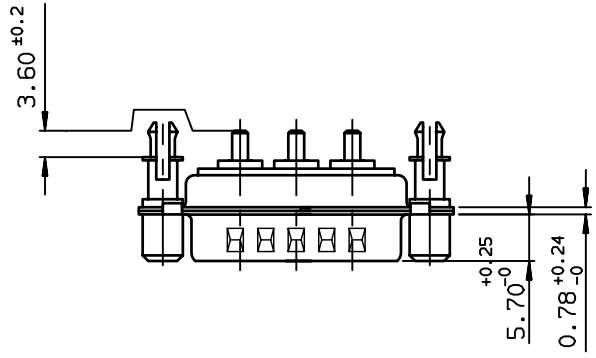
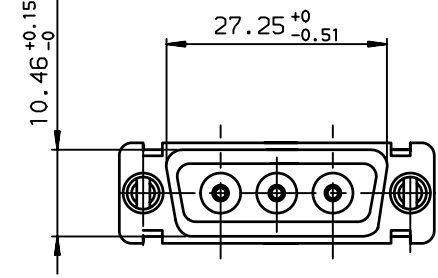
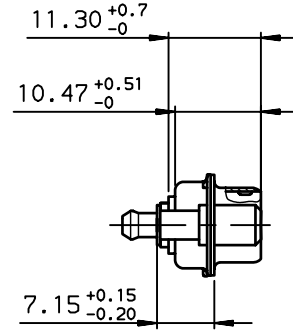
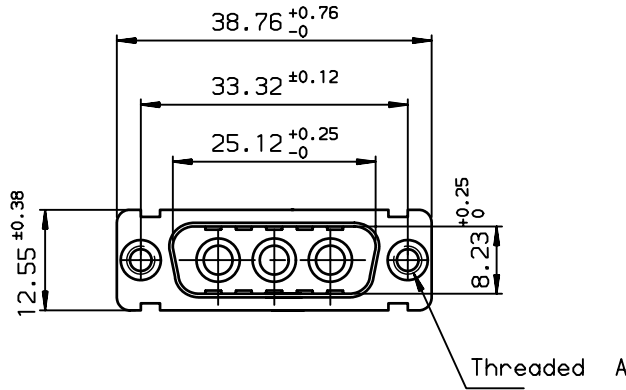
D

A

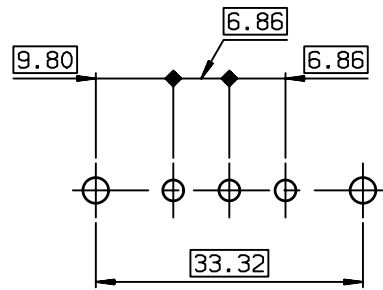
B

C

D



LAYOUT DIMENSIONS (after plating)
CONNECTOR SIDE VIEW



DAI3W3P300G30LF	M 3
DAV3W3P300G30LF	UNC 4.40
DAI3W3P300G40LF	M 3
DAV3W3P300G40LF	UNC 4.40
DAI3W3P300H30LF	M 3
DAV3W3P300H30LF	UNC 4.40
DAI3W3P300H40LF	M 3
DAV3W3P300H40LF	UNC 4.40
PART NUMBER	THREADED A

GENERAL CHARACTERISTICS AND ROHS INFORMATIONS
SEE DRAWING NUMBER: C01-8639-0001

European Views

www.fciconnect.com		surface ISO 1302	<input checked="" type="checkbox"/>	tolerance std ISO 406 ISO 1101	projection 	mm
TOLERANCES UNLESS OTHERWISE SPECIFIED						
Dr	JARRY	2005/10/24	ANGULAR	0.X	±0.1	size A3
Eng	PESSON	2005/10/24	LINEAR	0.XX	±0.1	Scale 1.5
Chr	LEGARE	2005/10/24		0.XX' ±2'	0.XXX	±0.1
Appr	LEGARE	2005/10/24	Product family		D-SUB	Spec ref -
		PIN CONNECTORS SUB D			dwg no	C01-8639-2227
		SCREWS + HARPOONS			Rev.	B
catalog no					CUSTOMER	sheet 1 of 1

rev	ecn no	dr	date
A	LS05-0090	MPE	2005/10/24
B	LS06-0095	LGO	2006/07/01
-	-	-	-
-	-	-	-
-	-	-	-
-	-	-	-



Copyright FCI.

Mouser Electronics

Authorized Distributor

Click to View Pricing, Inventory, Delivery & Lifecycle Information:

[FCI / Amphenol:](#)

[DAI3W3P300G40LF](#)