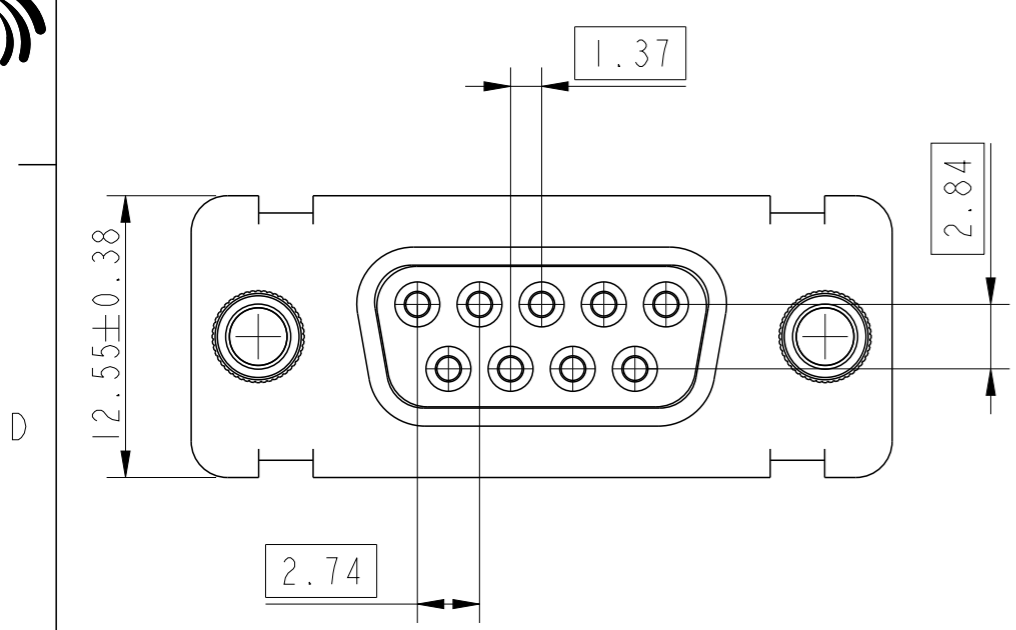
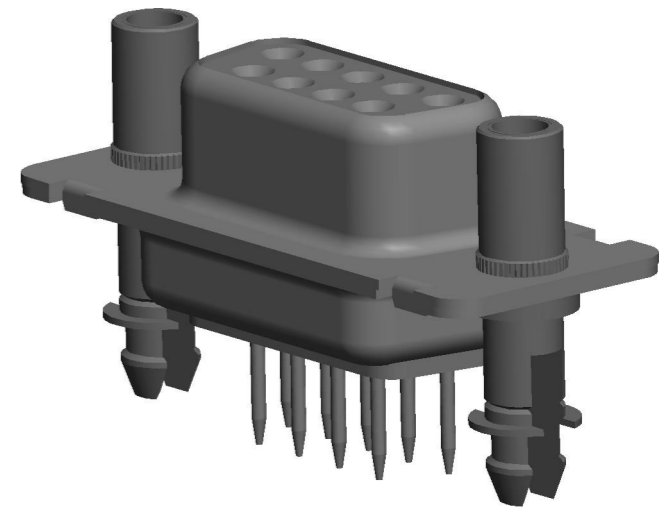
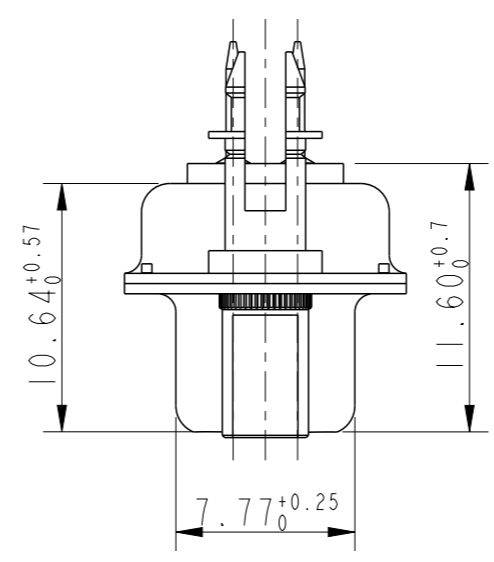
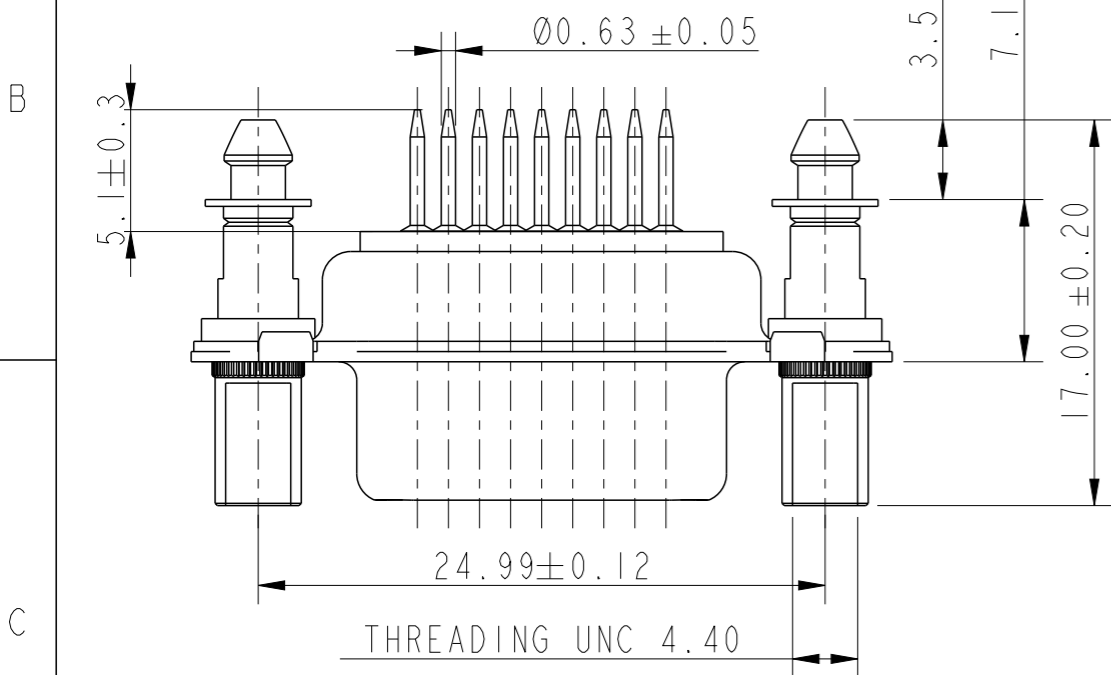
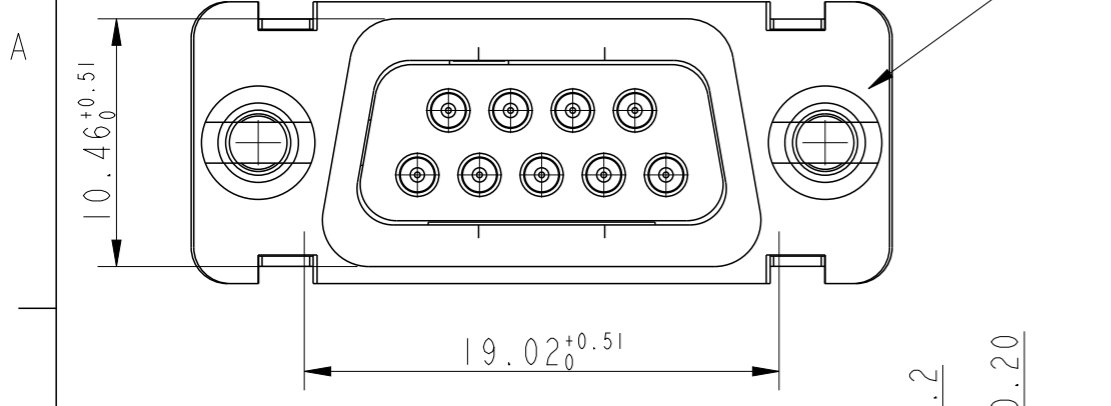


P/N DEM09S343SP284LF

TIN PLATED



spec ref	dr	A Parrenin	2013/06/21	projection	mm	size	A3	scale	3:1							
tolerance std	eng	A Parrenin	2014/05/27			ecn no	ELX-B-17798-1	rel level	Released							
ISO 406 ISO 1101	chr	Laurent Mulin	2014/05/27													
surface	linear			product family		dwg no	C01-8637-1778	rev	C							
				ISO 1302	angular					0°	±2°	www.fci.com	cat. no.	Product - Customer Drw	sheet 1 of 2	
TOLERANCES UNLESS OTHERWISE SPECIFIED		<table border="1"> <tr> <td>0.X</td> <td>±0.3</td> </tr> <tr> <td>0.XX</td> <td>±0.1</td> </tr> <tr> <td>0.XXX</td> <td>±0.05</td> </tr> </table>		0.X	±0.3	0.XX	±0.1	0.XXX	±0.05	SOCKET CONNECTOR WITH STRAIGHT CONTACTS AND HARPONS		Product - Customer Drw				
0.X	±0.3															
0.XX	±0.1															
0.XXX	±0.05															



Copyright FCI.

PHYSICAL CHARACTERISTICS

- INSULATOR MATERIAL : THERMOPLASTIC UL94V0
- CONTACT MATERIAL : PHOSPOR BRONZE
GOLD OVER NICKEL
- SHELLS : STEEL, Sn PURE BRIGHT PLATING
- HARPOONS : BRASS, Sn PURE BRIGHT PLATING

ELECTRICAL & ENVIRONMENTAL CHARACTERISTICS

- NOMINAL CURRENT : 7.5A
- CONTACT RESISTANCE : $\leq 7.3m\Omega$
- CONTACT/CONTACT : $\geq 1000V$
- CONTACT/GROUND : $\geq 1200V$
- INSULATION RESISTANCE : $\geq 5000M\Omega$
- OPERATING RANGE : $-55^{\circ}C$ to $125^{\circ}C$
- DAMP HEAT : 21 DAYS
- SALT SPRAY : 24 HOURS

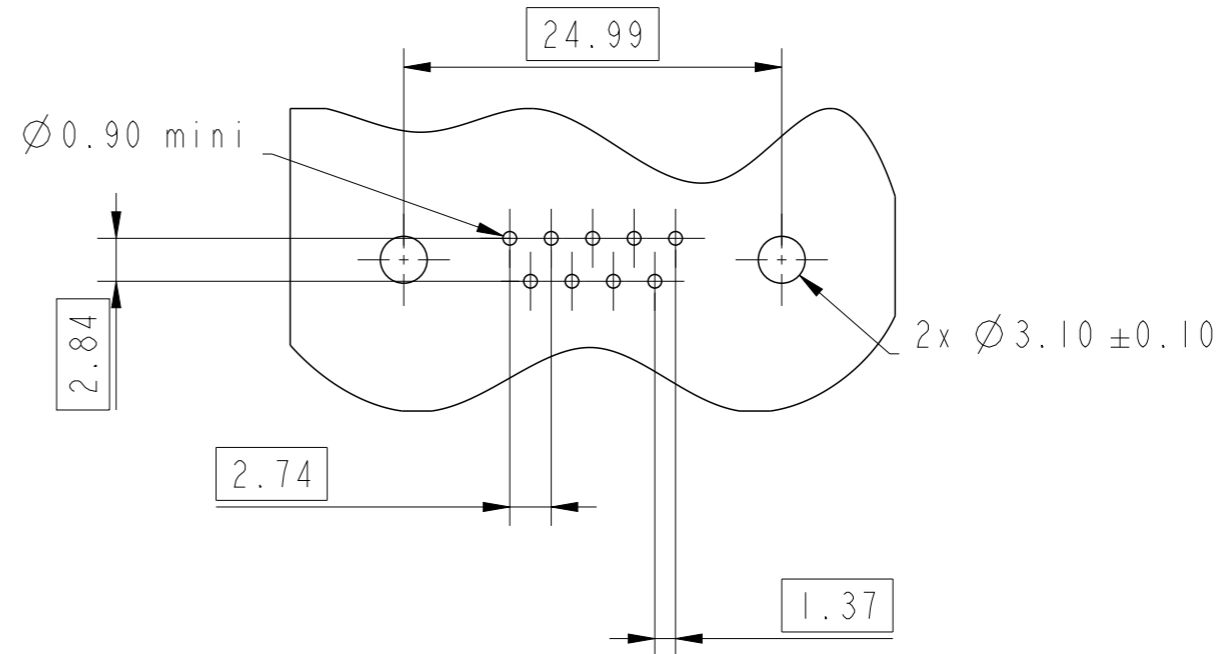
MECHANICAL CHARACTERISTICS

- 500 MATINGS/UNMATINGS
- HARPOONS DESIGNED FOR 1.6mm PCB THICKNESS

MECHANICAL CHARACTERISTICS FOR ACCESSORY

- RETENTION AGAINST TORQUE : -THREADED INSERT 0.7 N.m min

PCB LAYOUT



NOTES APPLICATION & RoHS INFORMATION

- THE "LF" PRODUCT MEETS EUROPEAN UNION DIRECTIVES AND OTHER COUNTRY REGULATIONS AS DESCRIBED IN GS-47-0004
- THE HOUSING WILL WITHSTAND EXPOSURE TO $260^{\circ}C$ PEAK TEMPERATURE FOR 3.5 SECONDS IN A WAVE SOLDERING PROCESS
- GLOBAL PACKAGING SPECIFICATION : GS-14-920

spec ref		dr	A Parrenin	2013/06/21	projection	mm	size	A3	scale	3:1
tolerance std		eng	A Parrenin	2014/05/27			ecn no		ELX-B-17798-1	
TOLERANCES UNLESS OTHERWISE SPECIFIED		chr	Laurent Mulin	2014/05/27			rel level		Released	
surface		linear	0.X	± 0.3		SOCKET CONNECTOR WITH STRAIGHT CONTACTS AND HARPOONS	cat. no.	Product - Customer Drw	sheet 2 of 2	rev C
			0.XX	± 0.1						
			0.XXX	± 0.05						
ISO 1302	angular	0°	$\pm 2^{\circ}$	www.fci.com	title SOCKET CONNECTOR WITH STRAIGHT CONTACTS AND HARPOONS	dwg no C01-8637-1778				



Copyright FCI.

Mouser Electronics

Authorized Distributor

Click to View Pricing, Inventory, Delivery & Lifecycle Information:

[FCI / Amphenol:](#)

[DEM09S343SP284LF](#)