

PART-NUMBER
DDM50P500NSP73

NOTES :

1- Material and finish
Housings :
- Shells : Stell, yellow Cadmium plated
- Insulator : Thermoset green color

Contact : brass, all surfaces Gold plated over Nickel

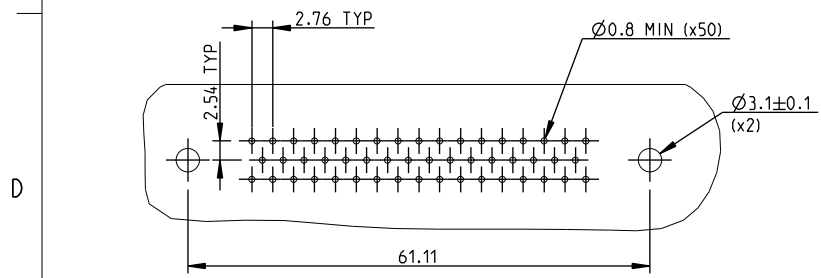
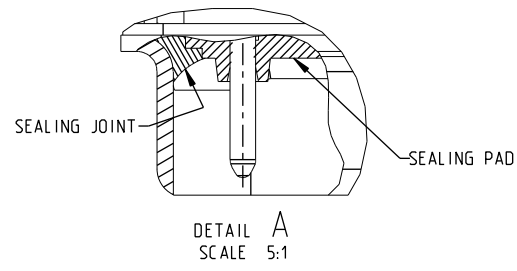
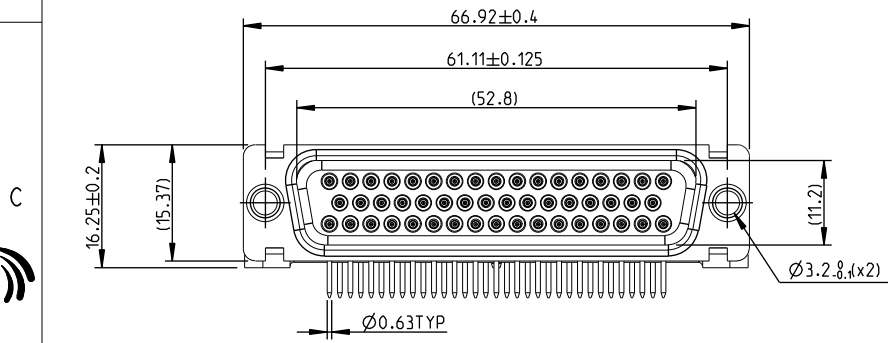
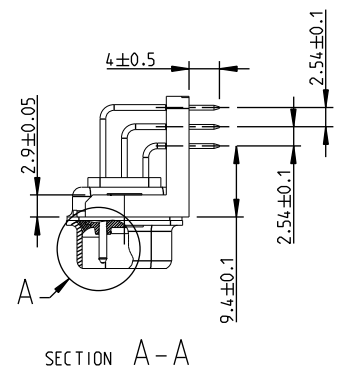
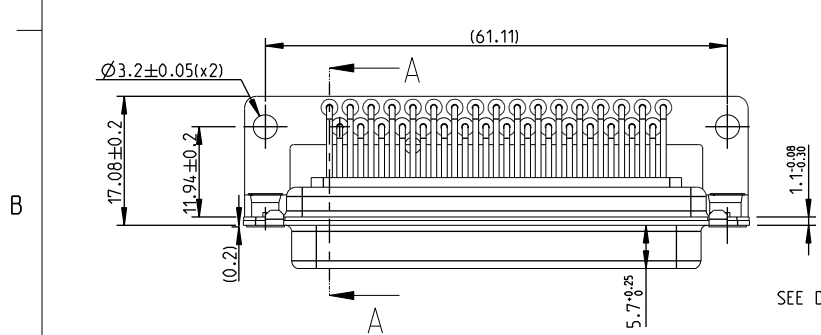
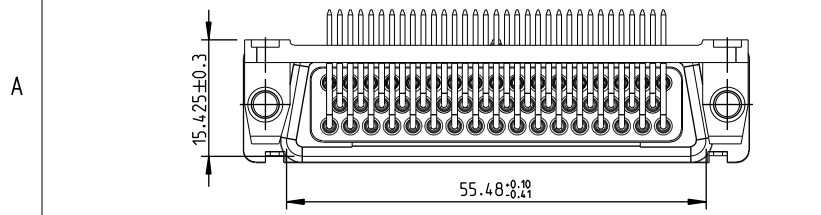
Bracket : glass filled thermoplastic UL94 V-0

Rivet : Brass, bright Nickel plated

Sealing pad : silicon elastomer
Sealing joint : compound elastomer

2- Environment characteristics :
- 55/155/56
- Temperature range : -55°C to 155°C
- Damp heat steady state : 56 days
- Salt spray : 48 hours

3- Electrical characteristics :
- Nominal current : 7.5 A
- Contact resistance : 7.3 mΩ MAX
- Contact / Contact : 1000 MΩ MIN
- Insulation resistance : 5000 MΩ MIN



rev	ecn no	dr	date
A	F09-0089	LSA	09-09-11
B	F09-0096	LSA	09-09-16
C	F10-0028	LSA	10-04-08
-	-	-	-
-	-	-	-
-	-	-	-

www.fciconnect.com		surface ISO 1302	tolerance std ISO 406 ISO 1101	projection mm
TOLERANCES UNLESS OTHERWISE SPECIFIED				
Dr	L.SAILLARD	09-09-11	ANGULAR	0.x ±/ size A3
Eng	L. SAILLARD	09-09-11	LINEAR	0.xx ±/ size A3
Chr	G. PEQUIGNOT	09-09-11	0° ±°	0.xxx ±/ size A3
Appr	/	/	Product family	ECN /
				Spec ref HE508
FCI		title MALE CONNECTOR DM 50 RA WITH INTERFACIAL SEAL		dwg no C01-8637-1772
		catalog no DDM50P500NSP73	CUSTOMER	Rev. C

Copyright FCI.

Mouser Electronics

Authorized Distributor

Click to View Pricing, Inventory, Delivery & Lifecycle Information:

[FCI / Amphenol:](#)

[DDM50P500NSP73](#)