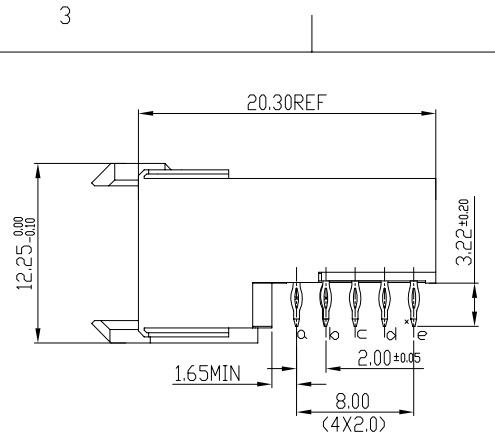
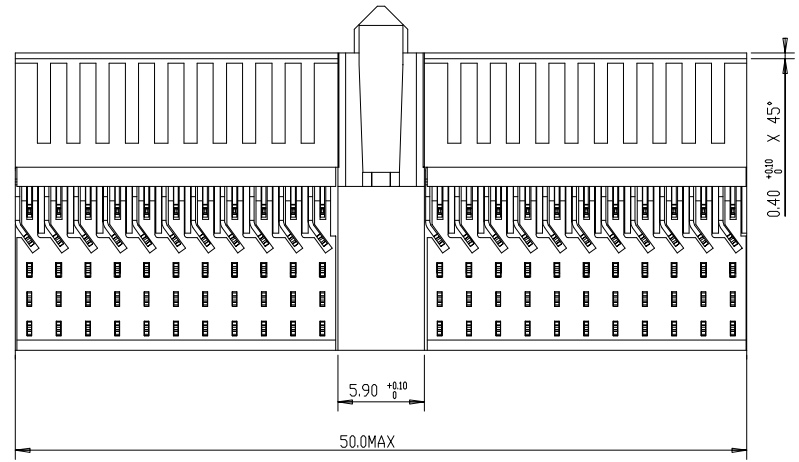
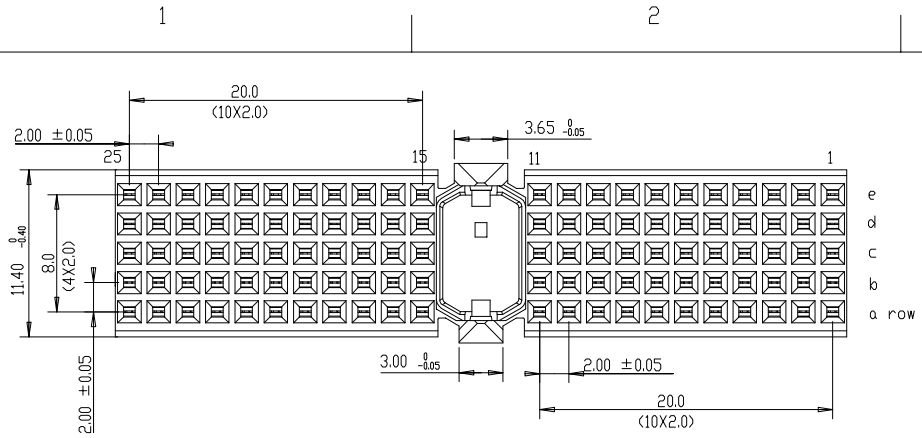


Tous droits strictement reserves. Reproduction ou communication a des tiers interdite sous quelque forme que ce soit sans autorisation ecrite du proprietaire. Propriete de c FCI. Droits de reproduction FCI.



All rights strictly reserved. Reproduction or issue to third parties in any form whatever is not permitted without written authority from the proprietor. Property of FCI. Copyright FCI.



PERFORMANCE CHARACTERISTICS

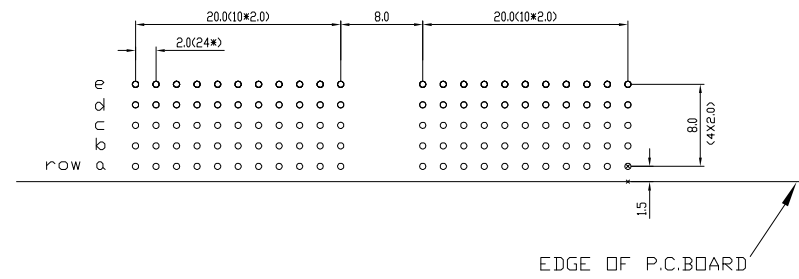
- CURRENT RATING: 1.5 A AT 20°C (FULLY LOADED)
1 A AT 70°C (FULLY LOADED)
- RATED VOLTAGE: 500 V AC (CONT /CONT)
- OPERATING TEMPERATURE : -55°C TO 125°C
- CONTACT RESISTANCE : 20 mΩ MAX
- INSERTION FORCE: 0.75N MAX/CONT
- EXTRACTION FORCE : 0.15N MIN /CONT
- INSULATION RESISTANCE: 10⁴ MΩ MIN

NOTES

- LEAD FREE INDICATOR : LF=LEAD FREE
- PERFORMANCE LEVEL INDICATOR (REF DWG NO.BS.C.201844.003)

- THIS PRODUCT IS CSA APPROVED. THIS PRODUCT IS UL RECOGNIZED.
- FOR RECOMMENDED PTH DIMENSIONS REFER DRAWING :BS.A.201572.001
- THIS PRODUCT (LF) MEETS EUROPEAN UNION DIRECTIVES AND OTHER COUNTRY REGULATIONS AS DESCRIBED IN GS-22-008

LAY-OUT P.C.B.- HOLE



rev	ecn no	dr	date
A	104-0018	ALEX	18-03-04
B	DG05-0493	Kason	11-22-05
-	-	-	-
-	-	-	-
-	-	-	-

Material		Spec ref	
Mat code	Heat treat	tolerance	projection
Plating/Finish	Dr	1DEC±0.2 1DEC 2DEC ± 0.10 2DEC ANGLES ±1° HOEKEN	MM
w.Panis	4 2 92	size	Scale
Eng	Product family	A4	1.5
Chr	Model Name	ECN	
Appr	Model Revision	REL Level	
	title	dwg no	Rev.
Pro/E file	catalog no	BS,C ,201418,047	B
	HM2R10PE5100----	CUSTOMER	sheet 1 of 1

Mouser Electronics

Authorized Distributor

Click to View Pricing, Inventory, Delivery & Lifecycle Information:

[FCI / Amphenol:](#)

[HM2R10PE5100N9LF](#)