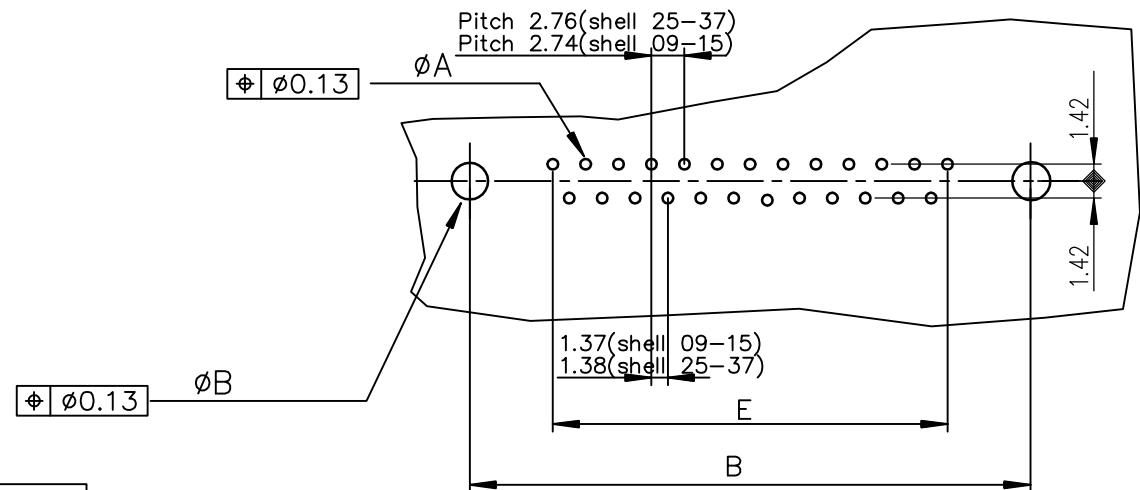


PC card drilling dimensions(after plating)
(thickness ≤ 3.20 ± 0.30mm)



SHELL	A±0.38	B±0.12	C±0.10	D±0.25	E±0.07	PART NUMBER
09	30.81	24.99	16.96	16.21	10.96	D09S91C.PX3FLF
15	39.14	33.32	25.18	24.54	19.18	D15S91C.PX3FLF
25	53.03	47.04	39.12	38.25	33.12	D25S91C.PX3FLF
37	69.32	63.50	55.68	54.71	49.68	D37S91C.PX3FLF

Protection: 4 --> Flash Au
6 --> 0.76 μ Au

Notes:

1) The nut can protrude above the surface of insulator but maintaining the footprint dimension 6.0 ± 0.15 mm.

NOTE 1

MATERIAL and PLATINGS

Contacts: GXT/gold over nickel on active area
mat pure tin over nickel on termination

Shells: steel, nickel 2 to 9 μ over copper 3 to 5 μ plating

Nuts: steel, nickel 2 to 4 μ plating

Grounding device: brass, 1 μ min nickel

NOTE 2

For other general characteristics, except characteristics in note 1 see drawing C01-8646-0001

mat'l. code		surface		tolerance		projection		product family	
-		ISO 1302 ✓		ISO 406 ISO 1101				D-SUB	
ltr	ecn no	dr	date	tolerances unless otherwise specified				title	
D	ELX-I-22878	AB	2015/01/06	angles	linear	MM		FEMALE DELTA-D EUROPE	
				0°±2'		scale 2:1		RA PRESS FIT	
		dr	M.PESSON	2008/09/29				dwg no	
		enr	ALIAS BABU	2015/01/06				sheet 1 of 1	
		chr	MITHUN PAUL	2015/01/06				size	
		app	BIJU K PAUL	2015/01/06				A3	
sheet index		revision sheet		D				type	
		1						Product Customer Drawing	

Mouser Electronics

Authorized Distributor

Click to View Pricing, Inventory, Delivery & Lifecycle Information:

[FCI / Amphenol:](#)

[D09S91C6PX3FLF](#)