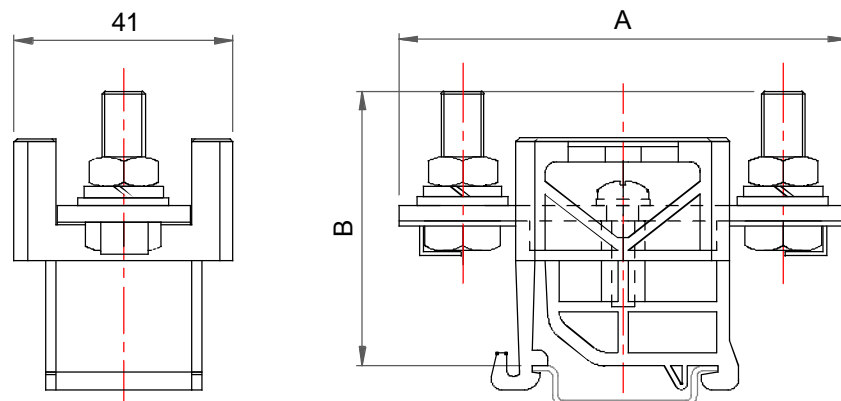


## Part number description :

10134310-XXXLF

LF: Lead Free, RoHs compliant, see note

XXX : Color ref or/and version



PN	Colour	Version
10134310-001LF	beige	

Value out of range	
A	88 mm
B	56 mm

## TECHNICAL DATA / DIMENSIONS

Dimensions	
Width mm	41.0
Length mm	88.0
Height mm	56.0
Mounting type (EN 60715)	Omega TH35
Technical data	
Maximum load current	269A
Insulating material	PA
Self-extinguishing degree acc. to UL94	V2
Nominal Voltage	1000V
Nominal Current	269A
Connection data	
Rated cross-section solid max	120 mm <sup>2</sup>
Conducting bar	25x6 mm
Bolt thread	M10 ch17

## APPROVALS

EN60947-7-1 120mm<sup>2</sup> – 1000V – 269A

Note : THIS PRODUCT MEETS EUROPEAN UNION DIRECTIVES  
AND OTHER COUNTRY REGULATIONS AS PER GS-47-0004

## ACCESSORIES

Item	Description
<b>Marking</b>	
10134314-001LF	Blank large marking tags for SCREW Terminal Blocks PT
10134315-001LF	Blank large marking tags for cover SCREW Terminal Blocks PT
10134316-001LF	Marking tags adapter for SCREW Terminal Blocks PT
10134317-001LF	Marking tags adapter for cover SCREW Terminal Blocks PT

## DIN RAIL system - Mounting and Installation material

10134392-001LF	Steel Omega Rail TH35x7,5mm -2mt length
10134393-001LF	Slotted Steel Omega Rail TH35x7,5mm -2mt length
10134394-001LF	Steel Omega Rail TH35x15mm -2mt length
10134395-001LF	Slotted Steel Omega Rail TH35x15mm -2mt length
10134387-001LF	Angled support bracket
10134389-001LF	End Bracket for TH35 Omega rail -Width 9mm
10134390-001LF	End Bracket for TH35 Omega rail -Width 6mm

## Additional items

10134322-001LF	End Plate for SCREW Terminal Blocks PT
10134320-001LF	Cover for SCREW Terminal Blocks PT
10134318-001LF	Jumper bar for SCREW Terminal Blocks PT120-PT150

spec ref	dr Aymeric Soudy 23-06-2015	projection	size A3	scale 1:1
tolerance std ISO 406 ISO 1101	eng Aymeric Soudy 23-06-2015			ecn no
TOLERANCES UNLESS OTHERWISE SPECIFIED				
surface ✓ ISO 1302	chr Aymeric Soudy 23-06-2015	appr Aymeric Soudy 23-06-2015	product family DIN Terminal Block	
linear 0.X ± 0.3 0.XX ± 0.1 0.XXX ± 0.05	angular 0° ± 2°		title Higt current line-up SCREW Terminal block PT120 cat. no. 10134310	rev A sheet 1 of 1
www.fcicon		Product customer drawing		

# Mouser Electronics

Authorized Distributor

Click to View Pricing, Inventory, Delivery & Lifecycle Information:

[Amphenol:](#)

[10134310-001LF](#)