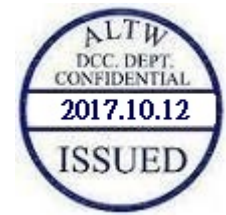
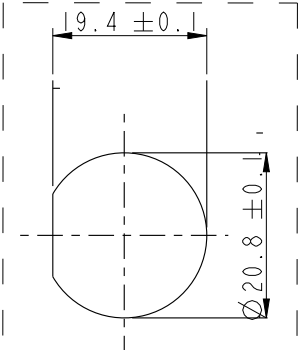
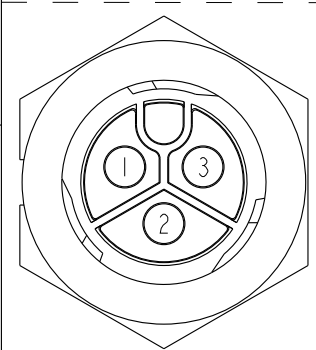
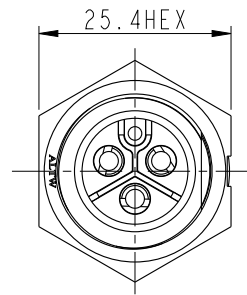
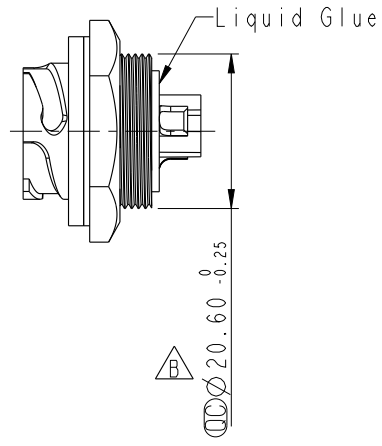
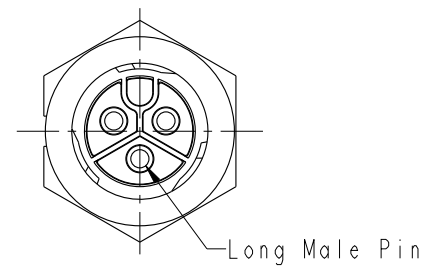
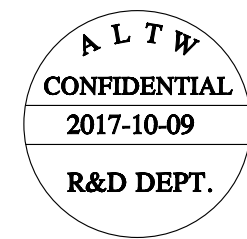
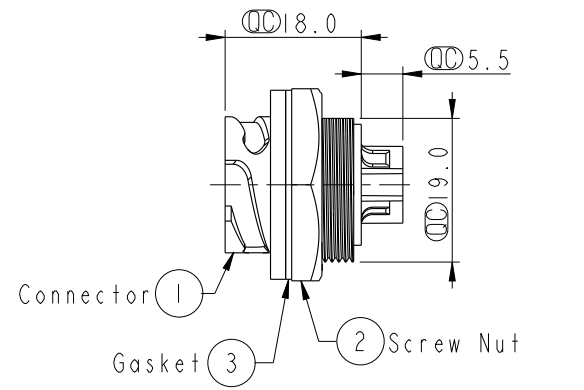
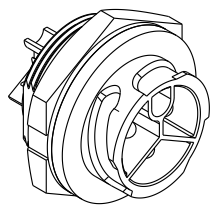


THIS DOCUMENT IS SUBJECT TO CHANGE WITHOUT NOTICE. IT IS CONFIDENTIAL AND A PROPERTY OF AMPHENOL LTW. DISCLOSURE TO THIRD PARTY HAS TO BE AUTHORIZED BY AMPHENOL LTW.

REV.	ECN NO.	DATE	SIGN	DESCRIPTION
A		2012/11/29	Tao-Cheng	Change Rev.01 To Rev.A
B	LEN17A0055	2017-10-09	Lingpeng	Modify The Dimensions And Tolerances



- Note:
- * \varnothing Important Dimension To Check
 - * Waterproof Rate: IP67 (Mated)
 - * Connector: Nylon+GF, Black
 - * Male Pin: Brass, Gold Flash
 - * Screw Nut: Nylon+GF, Black
 - * Gasket: Silicone, Gray
 - * Maximum Panel Thickness: 4.5mm

UNIT:mm			TITLE Power Panel 3Key 3Pin M Conn M Pin 20Amps
TOLERANCE .X ±0.25 .XX ±0.1 .XXX ±0.05 ANGLES ±1°	SCALE 1:1	SIZE A4	SHEET 1 OF 1
REV. B	WC-REV. A.4	\varnothing : Inspection item	

Amphenol LTW
安費諾亮泰企業股份有限公司

ITEM NO. PWC-03RMMS-TC7001	DRAWN BY Lingpeng	DATE 2017-10-09
DWG NO. PWC-03RMMS-TC7001	CHECKED BY Mafei	DATE 2017-10-09
CUSTOMER ALTW	APPROVED BY Jerry	DATE 2017-10-09

Mouser Electronics

Authorized Distributor

Click to View Pricing, Inventory, Delivery & Lifecycle Information:

[Amphenol:](#)

[PWC-03RMMS-TC7001](#)