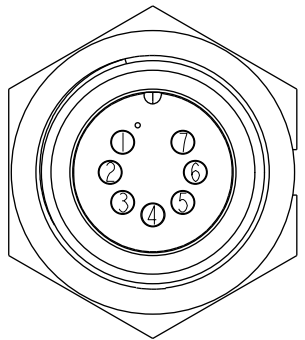
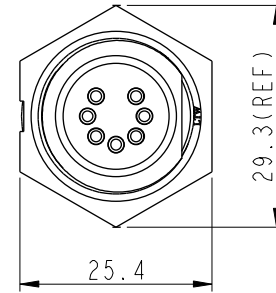
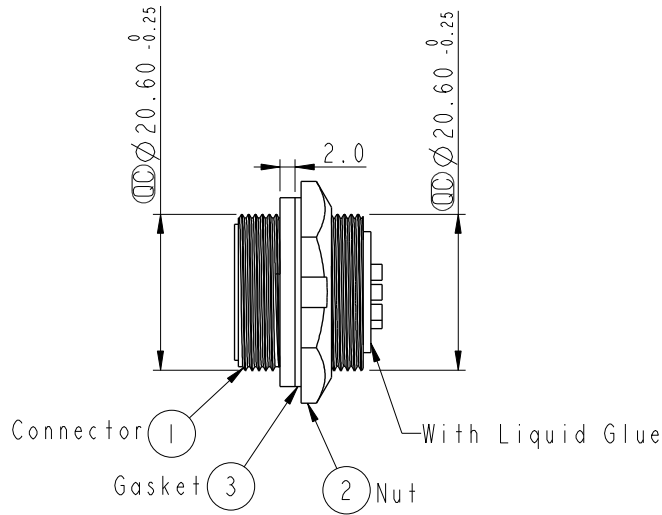
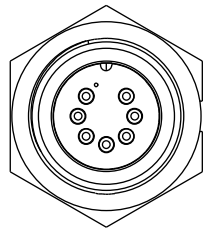


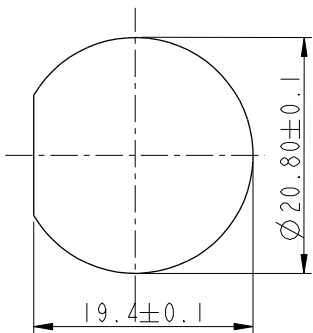
REV.	ECN NO.	DATE	SIGN	DESCRIPTION
B	LEN-8B0246	2008/10/03	Shin	Add Note

ALTW
CONFIDENTIAL
2012-04-11
R&D DEPT.

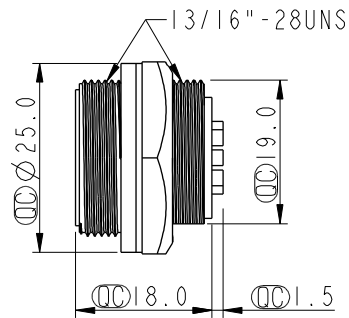
ALTW
DCC. DEPT.
CONFIDENTIAL
2012-05-15
ISSUED



Pin Assignments
Front View



Recommender Panel Cut-Out



Note:

- * \varnothing Important Dimension.
- * Waterproof Rate: IP67
- * Housing: Black, Nylon+GF
- * Pin: Copper Alloy, Gold Plated.
- * Nut: Black, Nylon+GF
- * Gasket: Black, EPDM
- $\triangle B$ * Use with waterproof cap or dust cap
Maximum Panel Thickness: 3.0mm
- $\triangle B$ * Use without waterproof cap or dust cap
Maximum Panel Thickness: 4.0mm

UNIT:mm	
TOLERANCE	
.X	±0.25
.XX	±0.1
.XXX	±0.05
ANGLES	±1°

TITLE Middle, Panel Screw 7Pin M Conn. M Pin			
SCALE 1:1	SIZE A4	SHEET 1 OF 1	
REV. B	WC-REV. A.2	\varnothing : Inspection item	

Amphenol LTW
安費諾亮泰企業股份有限公司

ITEM NO. CD-07RMMS-SC7001	DRAWN BY SamChang	DATE 2012-04-11
DWG NO. CD-07RMMS-SC7001	CHECKED BY Jeffrey	DATE 2012-05-15
CUSTOMER ALTW	APPROVED BY Lion	DATE 2012-05-15

THIS DOCUMENT IS SUBJECT TO CHANGE WITHOUT NOTICE. IT IS CONFIDENTIAL AND A PROPERTY OF Amphenol LTW. DISCLOSURE TO THIRD PARTY HAS TO BE AUTHORIZED BY Amphenol LTW.

Mouser Electronics

Authorized Distributor

Click to View Pricing, Inventory, Delivery & Lifecycle Information:

[Amphenol:](#)

[CD-07RMMS-SC7001](#)