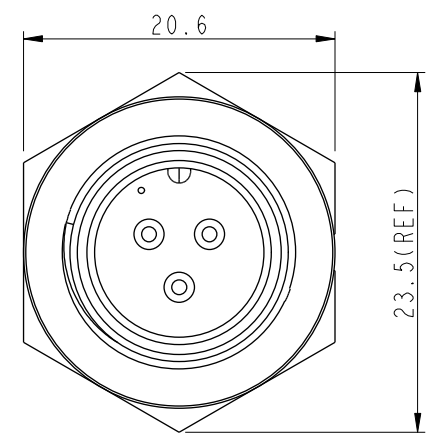
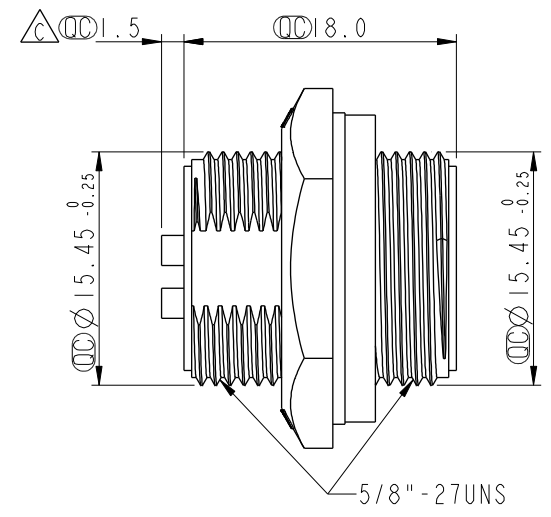
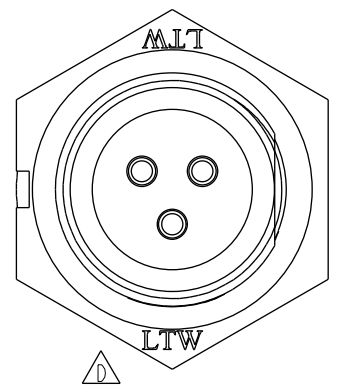


THIS DOCUMENT IS SUBJECT TO CHANGE WITHOUT NOTICE. IT IS CONFIDENTIAL AND A PROPERTY OF AMPHENOL LTW. DISCLOSURE TO THIRD PARTY HAS TO BE AUTHORIZED BY AMPHENOL LTW.

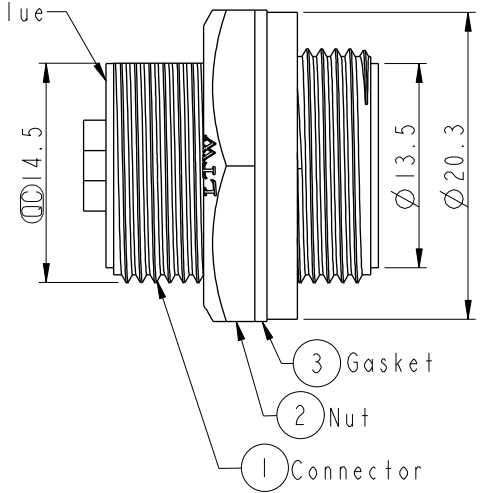
REV.	ECN NO.	DATE	SIGN	DESCRIPTION
B	LEN-8B0557	2008/09/19	Shin	Add Note and Change Format to Standard
C	LEN-940068	2009/03/19	LiuShuYun	Change Size 1.50 to 1.5
D	LEN1160193	2011/06/16	Jiang Jun Hua	Change View

ALTW
CONFIDENTIAL
 2012-03-16
R&D DEPT.

ALTW
DCC. DEPT.
CONFIDENTIAL
 2012-03-26
ISSUED

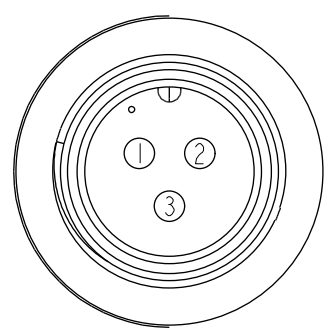


With Liquid Glue

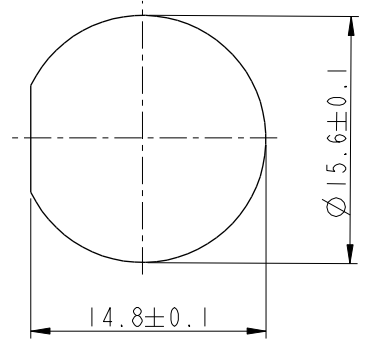


Note:

- * \varnothing Important Dimension To Check.
- * Waterproof Rate: IP67
- * Housing: Black, Nylon+GF
- * Male Pin: Copper Alloy, Gold Plated
- * Nut: Black, Nylon+GF
- * Gasket: Black, EPDM
- $\triangle B$ * Use With Waterproof Cap Or Dust Cap
Panel Thickness Max: 4.0mm
- $\triangle B$ * Use Without Waterproof Cap Or Dust Cap
Panel Thickness Max: 5.0mm

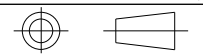


Pin Assignments
Front View



Recommended Panel Cut-out

UNIT: mm



TOLERANCE	
.X	±0.25
.XX	±0.1
.XXX	±0.05
ANGLES	±1°

TITLE Standard, Rear Screw 3P M Conn M Pin			
SCALE 2:1	SIZE A4	SHEET 1 OF 1	
REV. D	WC-REV. A.2	\varnothing : Inspection item	

Amphenol LTW
 安費諾亮泰企業股份有限公司

ITEM NO. BD-03RMMS-SC7001	DRAWN BY SamChang	DATE 2012-03-16
DWG NO. BD-03RMMS-SC7001	CHECKED BY Jeffrey	DATE 2012-03-26
CUSTOMER ALTW	APPROVED BY Kevin	DATE 2012-03-26

Mouser Electronics

Authorized Distributor

Click to View Pricing, Inventory, Delivery & Lifecycle Information:

[Amphenol:](#)

[BD-03RMMS-SC7001](#)