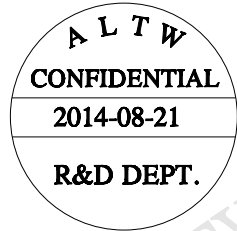
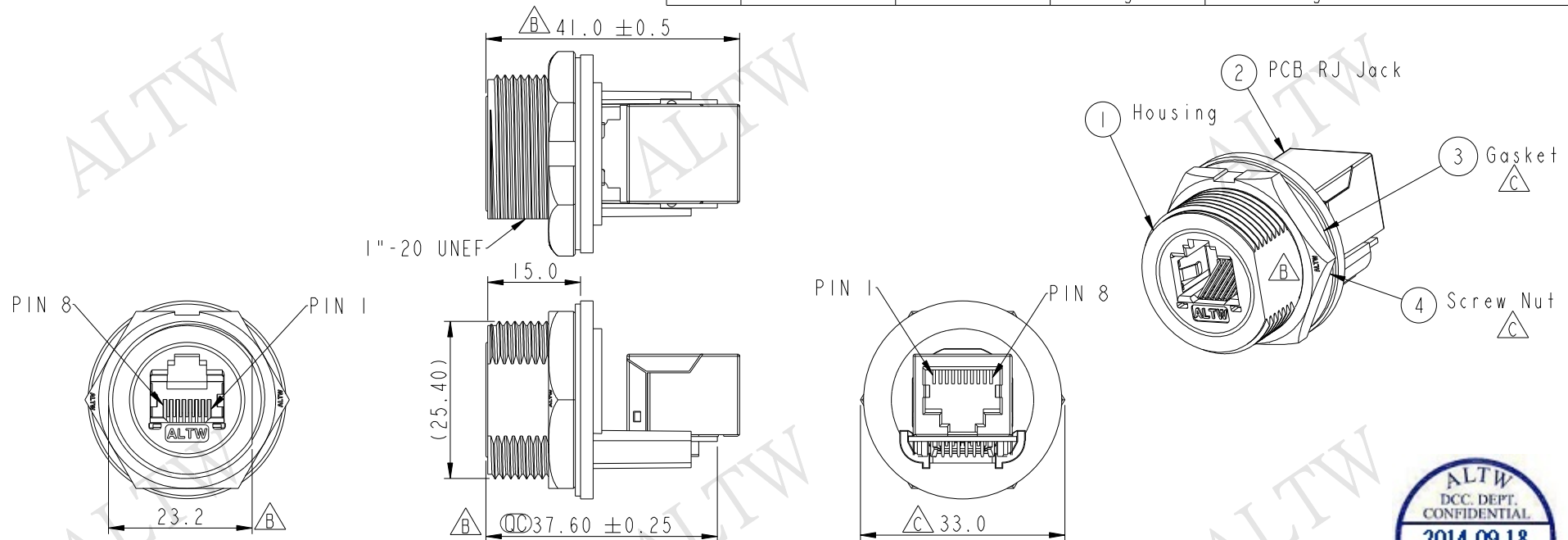
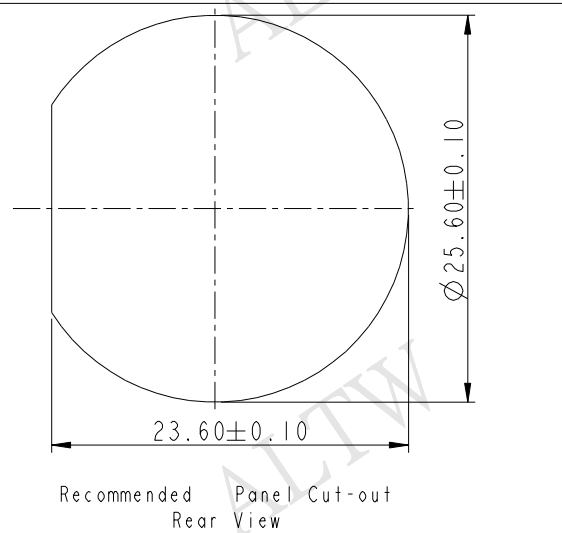


REV.	ECN NO.	DATE	SIGN	DESCRIPTION
B	LENI450011	2014-04-28	Tom_gu	Change D Cut
C	LE31490099	2014-08-21	Feng_Li	Change Nut and Gasket



- Note:
- * CC Important Dimension
 - * Waterproof Rate : IP67
 - * Housing : Nylon+GF, BLACK
 - * Screw Nut : Nylon+GF, BLACK
 - * $\triangle C$ Gasket : Silicone, Gray.
 - * PCB: FR-4
 - * $\triangle C$ Jack : PBT Polyester, Black
 - * Panel Thickness Max: 3.0mm
 - * Screw torsion value range: 8~15kgf-cm



UNIT: mm		TITLE		ITEM NO		DRAWN BY		DATE	
		RJ45, D SIZE, MATED WP		RDP-5SPFFH-SCM7001		Feng_Li		2014-08-21	
TOLERANCE		SCALE	SIZE	SHEET	DWG NO	CHECKED BY	DATE		
.X ±0.25		1:1	A4	1 OF 1	RDP-5SPFFH-SCM7001	Tom	2014-08-21		
.XX ±0.1		REV.	WC-REV.		CUSTOMER	APPROVED BY	DATE		
.XXX ±0.05		C	A.6		ALTW	Victor	2014-08-21		
ANGLES ±1°		CC : Inspection item							

Amphenol LTW
安費諾亮泰企業股份有限公司

THIS DOCUMENT IS SUBJECT TO CHANGE WITHOUT NOTICE. IT IS CONFIDENTIAL AND A PROPERTY OF Amphenol LTW. DISCLOSURE TO THIRD PARTY HAS TO BE AUTHORIZED BY Amphenol LTW.

Mouser Electronics

Authorized Distributor

Click to View Pricing, Inventory, Delivery & Lifecycle Information:

[Amphenol:](#)

[RDP-5SPFFH-SCM7001](#)