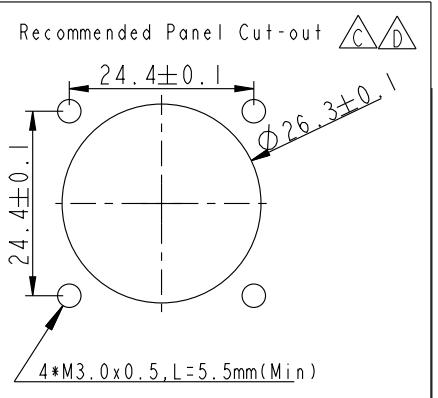
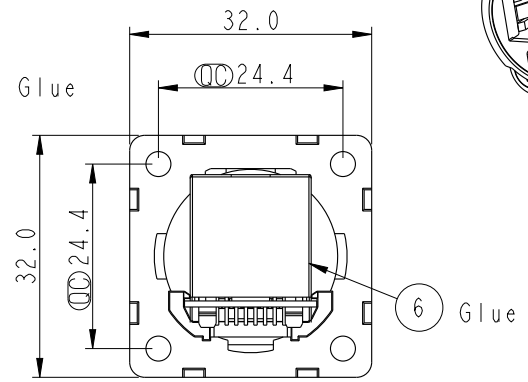
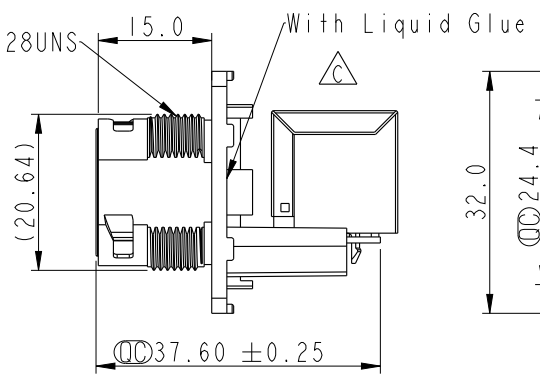
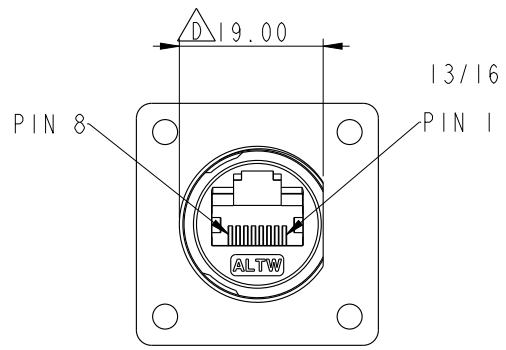
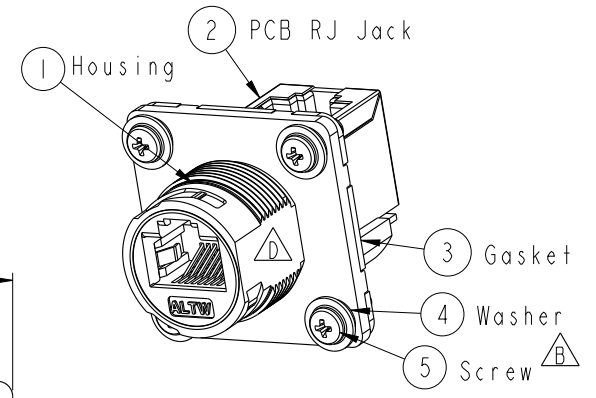
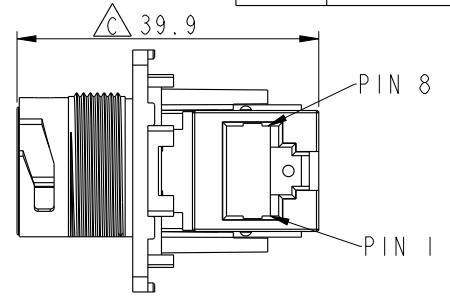


THIS DOCUMENT IS SUBJECT TO CHANGE WITHOUT NOTICE. IT IS CONFIDENTIAL AND A PROPERTY OF Amphenol LTW. DISCLOSURE TO THIRD PARTY HAS TO BE AUTHORIZED BY Amphenol LTW.

REV.	ECN NO.	DATE	SIGN	DESCRIPTION
B	LEN1360110	2013-06-14	Cary	Change Note & Panel Cut-out
C	LE313A0351	2013-10-23	Raison	Modify Jack, Note, Screw
D	LE31480164	2014-07-14	Tom	Change D Cut, Gasket

ALTW
CONFIDENTIAL
2014-07-14
R&D DEPT.



ALTW
DCC. DEPT.
CONFIDENTIAL
2014.08.12
ISSUED

- Note:
- * \varnothing Important Dimension
 - * Waterproof Rate : IP67 Unmated
 - * Housing : Nylon+GF, BLACK
 - * \triangle/\triangle Screw : S. STEEL, M3*0.5 L=8.0
 - * Gasket : Silicone, Gray.
 - * PCB: FR-4
 - * Jack : PBT Polyester
 - * \triangle/\triangle Screw torsion value range: 3~3.5kgf-cm
 - * \triangle/B Temperature Range: -40°C to 105°C

UNIT : mm		
TOLERANCE	.X ±0.25	
.XX	±0.1	
.XXX	±0.05	
ANGLES	±1°	

TITLE RJ45, C SIZE, UNMATED WATERPROOF SQUARE			
SCALE 1:1	SIZE A4	SHEET 1 OF 2	
REV. D	WC-REV. C.2	\varnothing : Inspection item	

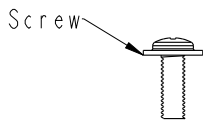
Amphenol LTW
安費諾亮泰企業股份有限公司

ITEM NO. RCP-5SPFFV-TSU7001	DRAWN BY Tom	DATE 2014-07-14
DWG NO. RCP-5SPFFV-TSU7001	CHECKED BY Ludi	DATE 2014-07-14
CUSTOMER ALTW	APPROVED BY Victor	DATE 2014-07-14

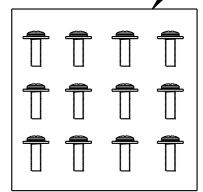
THIS DOCUMENT IS SUBJECT TO CHANGE WITHOUT NOTICE. IT IS CONFIDENTIAL AND A PROPERTY OF Amphenol LTW. DISCLOSURE TO THIRD PARTY HAS TO BE AUTHORIZED BY Amphenol LTW.

ALTW
CONFIDENTIAL
2014-07-14
R&D DEPT.

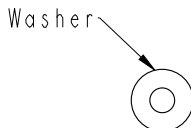
△ Packing



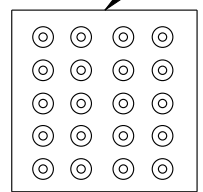
X576PCS



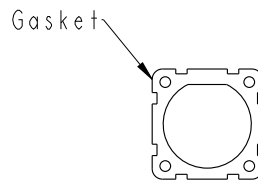
⑥ PE Bag



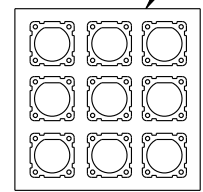
X576PCS



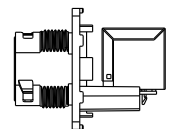
⑦ PE Bag



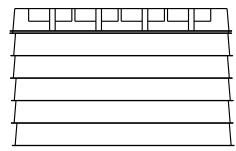
X144PCS



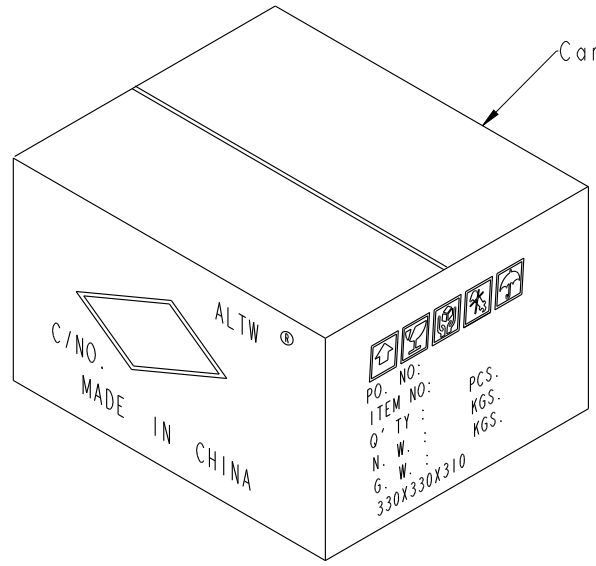
⑧ PE Bag



X144PCS



6盒



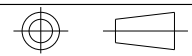
Carton

ALTW
DCC. DEPT.
CONFIDENTIAL
2014.08.12
ISSUED

Note:

- * Important Dimension
- * 1PCS產品配1PCS Gasket, 4PCS Washer, 4PCS Screw
- * 配件的出貨數量參考實際產品出貨數量

UNIT: mm



TITLE RJ45, C SIZE, UNMATED WATERPROOF SQUARE

Amphenol LTW

ITEM NO RCP-5SPFFV-TSU7001

DRAWN BY Tom

DATE 2014-07-14

DWG NO RCP-5SPFFV-TSU7001

CHECKED BY Ludi

DATE 2014-07-14

CUSTOMER ALTW

APPROVED BY Victor

DATE 2014-07-14

TOLERANCE	
.X	±0.25
.XX	±0.1
.XXX	±0.05
ANGLES	±1°

SCALE	1:1	SIZE	A4	SHEET	2	OF	2
REV.	D	WC-REV.	C.2	◎◎: Inspection item			

安費諾亮泰企業股份有限公司

Mouser Electronics

Authorized Distributor

Click to View Pricing, Inventory, Delivery & Lifecycle Information:

[Amphenol:](#)

[RCP-5SPFFV-TSU7001](#)