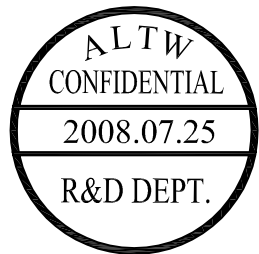
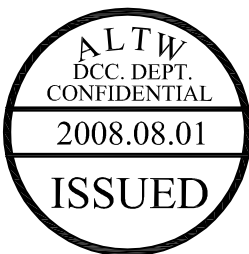
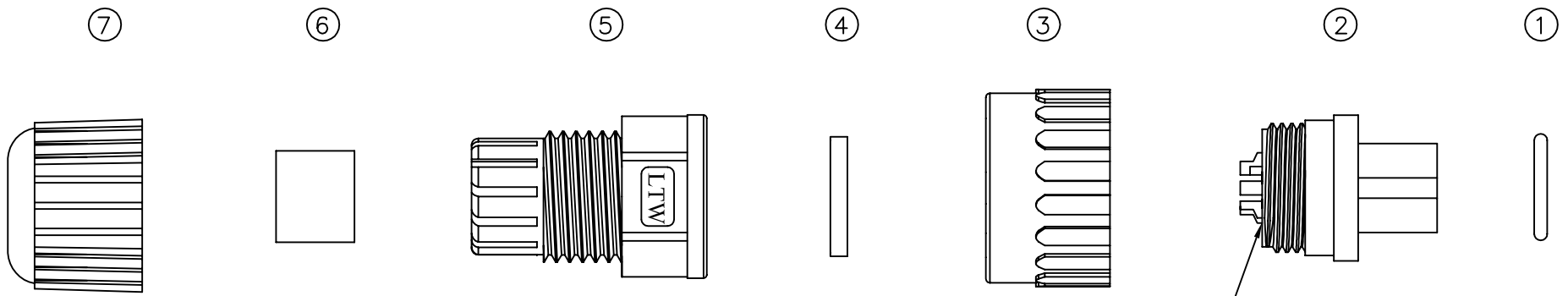
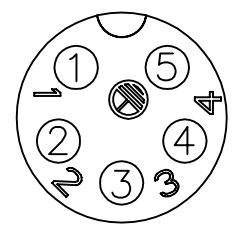
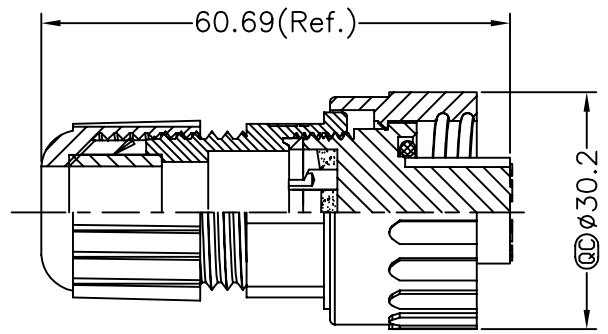


REV.	ECN NO.	DATE	SIGN	DESCRIPTION
B	LEN-870137	2008/07/25	Yuri	Update Drawing

THIS DOCUMENT IS SUBJECT TO CHANGE WITHOUT NOTICE. IT IS CONFIDENTIAL AND A PROPERTY OF Amphenol LTW. DISCLOSURE TO THIRD PARTY HAS TO BE AUTHORIZED BY Amphenol LTW.



- Note:
- * Waterproof Rate : IP67
 - * @C Important Dimension.
(@C 為重點檢驗尺寸)
 - * Seals for Cable OD: $\phi 5.5\text{mm} \sim \phi 10.8\text{mm}$
(防水墊圈限用線徑 $\phi 5.5\text{mm} \sim \phi 10.8\text{mm}$)
 - * One Set Unassembled in One LTW Sealed Bag
(每一組未組裝, 放置於一個 LTW 封口袋)
 - * Housing: Black, Nylon+GF
 - * Female Pin: Copper Alloy, Gold Plated
 - * Oring: Black, EPDM
 - * Screw Nut: Black, Nylon+GF
 - * Gasket: Black, Silicone
 - * Clamp Ring: Black, Nylon
 - * Seals: Black, EPDM
 - * Sealing Nut: Black, Nylon
 - * Liquid Glue: Claer



Pin Assignments
Front View 前視圖

UNIT:mm		TITLE	Amphenol LTW		ITEM NO	DRAWN BY	DATE
TOLERANCE	± 0.5 mm	Power, Assy Screw 5Pin F Conn F Pin	安費諾亮泰企業股份有限公司		PWE-05BFFA-SL7001	Yuri	2008/07/25
		SCALE Free	SHEET 1 OF 1	DWG NO	PWE-05BFFA-SL7001	CHECKED BY	DATE
		REV. B	SIZE A4	@C : Inspection Item	CUSTOMER	Jerry	2008/07/25
					ALTW	APPROVED BY	DATE
						Victor	2008/07/25

Mouser Electronics

Authorized Distributor

Click to View Pricing, Inventory, Delivery & Lifecycle Information:

[Amphenol:](#)

[PWE-05BFFA-SL7001](#)