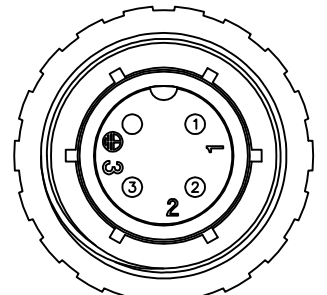
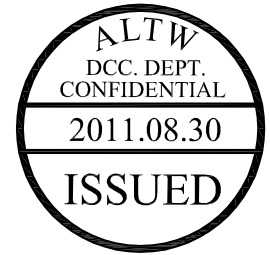
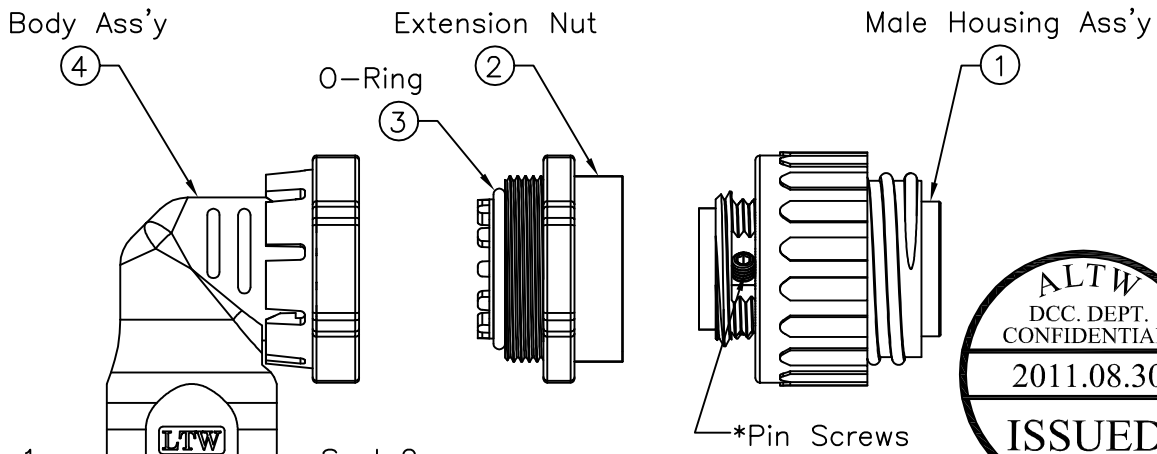
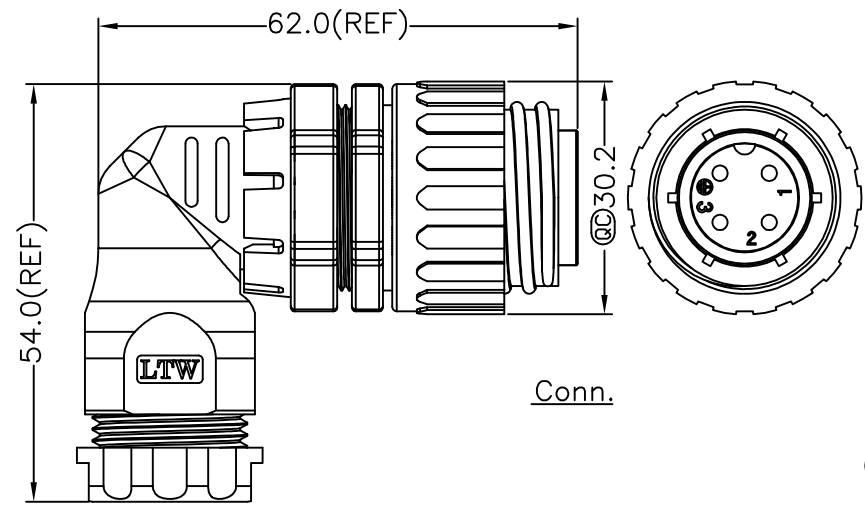
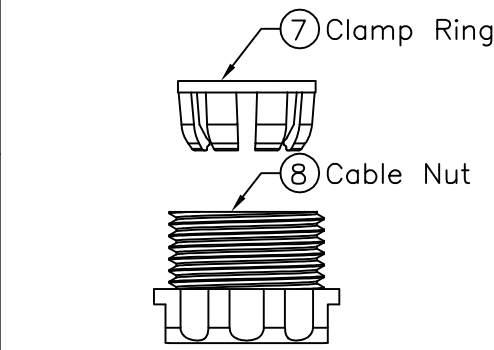
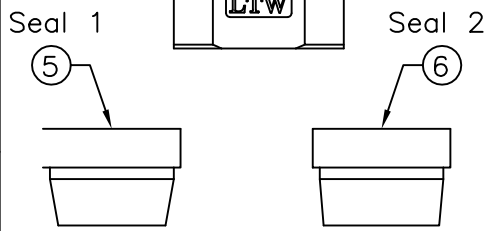


REV.	ECN NO.	DATE	SIGN	DESCRIPTION
A	Initial Release	2010/03/24	Dominic	
B	LEN1180139	2011/08/27	baowei	Add Wire Size

THIS DOCUMENT IS SUBJECT TO CHANGE WITHOUT NOTICE. IT IS CONFIDENTIAL AND A PROPERTY OF AMPHENOL LTW. DISCLOSURE TO THIRD PARTY HAS TO BE AUTHORIZED BY AMPHENOL LTW.



Pin Assignments
Front View



Note:

- * @C Important Dimensions To Check.
- * Waterproof Rate: IP67
- * Male Housing: Nylon+GF, Black
- * Male Pin: Copper Alloy, Gold Plated
- * Pin Screws: 1.5mm(HEX), Stainless Steel
For wire assembly, tightened by tool.
- * O-ring: Silicone, Black
- * Seal 1: For Cable OD: $\phi 6.0\text{mm} \sim 9.0\text{mm}$
- * Seal 2: For Cable OD: $\phi 9.0\text{mm} \sim 12.5\text{mm}$
- * Flame Class: UL94V-0
- ⑨ * One Set Unassembled in one PE Bag
- * 1.5mm Hex Tool for Screws sold separately
- △ * Wire Size Range: 14AWG~18AWG

UNIT:mm		TITLE Assy Right Angle M Power Conn. Screw in Pins,16Amp (Gold Plated)
TOLERANCE $\pm 0.5 \text{ mm}$	SCALE Free	SHEET 1 OF 1
REV. B	SIZE A4	@C :Inspection Item

Amphenol LTW
安費諾亮泰企業股份有限公司

ITEM NO PWG-04BMMB-SR7001	DRAWN BY baowei	DATE 2011/08/27
DWG NO PWG-04BMMB-SR7001	CHECKED BY Micky	DATE 2011/08/27
CUSTOMER ALTW	APPROVED BY Victor	DATE 2011/08/27

Mouser Electronics

Authorized Distributor

Click to View Pricing, Inventory, Delivery & Lifecycle Information:

[Amphenol:](#)

[PWG-04BMMB-SR7001](#)