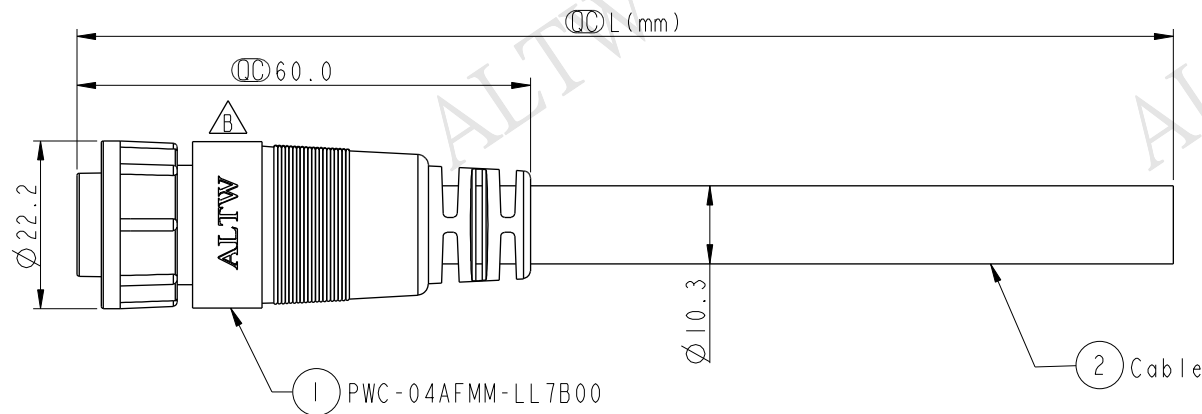


REV.	ECN NO.	DATE	SIGN	DESCRIPTION
A		2012/11/14	Tao-Cheng	Change Rev.02 To Rev.A
B	LEN1480278~281	2014/06/20	Sam	Change Logo

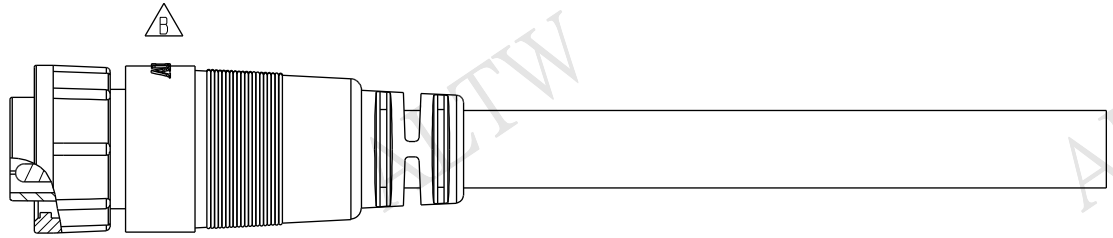
ALTW
CONFIDENTIAL
2014-06-20
R&D DEPT.



Conn.



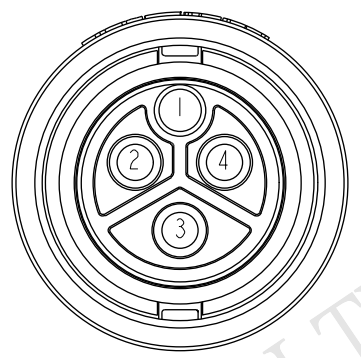
ALTW
DCC. DEPT.
CONFIDENTIAL
2014.08.15
ISSUED



PWCU-04AFMM-LL7BXX

XX:01~99Meters
01:01Meter
02:02Meters
:
:
:
99:99Meters

- Note:
- * \varnothing Important Dimension To Check.
 - * Waterproof Rate: IP67 (Mated).
 - * Connector: Nylon+GF, Black.
 - * Male Pin: Copper Alloy, Gold Plated.
 - * Lock Nut: Nylon+GF, Black.
 - * O-Ring: Silicone, Gray.
 - * Cable: TC-ER, 14AWG*3C+16AWG*1C, PVC Jacket, Black, OD=10.3mm.
 - * Cable Length Tolerance: 01M:±40mm
02M~05M:±60mm
06M~10M:±100mm
11M~30M:±200mm
31M~99M:±500mm



Pin Assignment
Front View

Conn.	Wire Color	Pin Out
4	White (14AWG) 白	
3	Green (14AWG) 綠	
2	Black (14AWG) 黑	
1	Red (16AWG) 紅	

UNIT:mm	
TOLERANCE	±0.5 mm

TITLE Power,Cable Lock 4Pin F Conn M Pin (2A+20A)			
SCALE 1:1	SIZE A4	SHEET 1 OF 1	
REV. B	WC-REV. A.1	\varnothing : Inspection item	

Amphenol LTW
安費諾亮泰企業股份有限公司

ITEM NO	DRAWN BY Sam	DATE 2014-06-20
DWG NO PWCU-04AFMM-LL7BXX	CHECKED BY Vicky	DATE 2014-06-20
CUSTOMER ALTW	APPROVED BY Rita	DATE 2014-06-20

THIS DOCUMENT IS SUBJECT TO CHANGE WITHOUT NOTICE. IT IS CONFIDENTIAL AND A PROPERTY OF Amphenol LTW. DISCLOSURE TO THIRD PARTY HAS TO BE AUTHORIZED BY Amphenol LTW.

Mouser Electronics

Authorized Distributor

Click to View Pricing, Inventory, Delivery & Lifecycle Information:

[Amphenol:](#)

[PWCU-04AFMM-LL7B01](#) [PWCU-04AFMM-LL7B02](#) [PWCU-04AFMM-LL7B05](#)