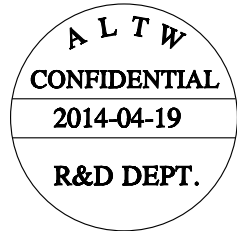
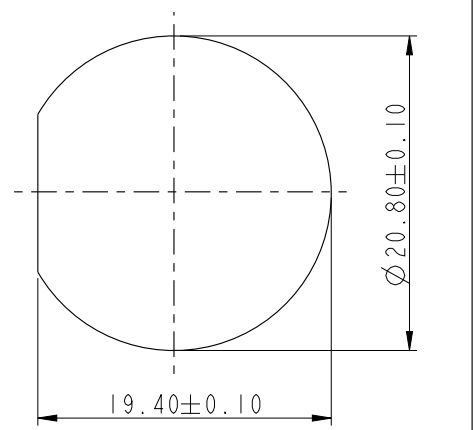
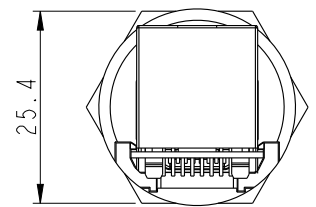
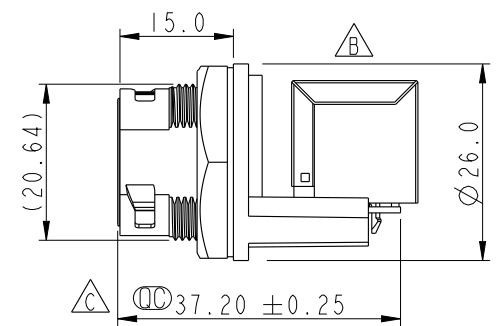
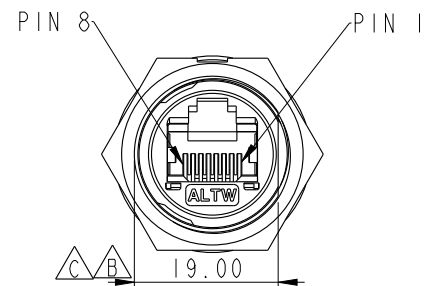
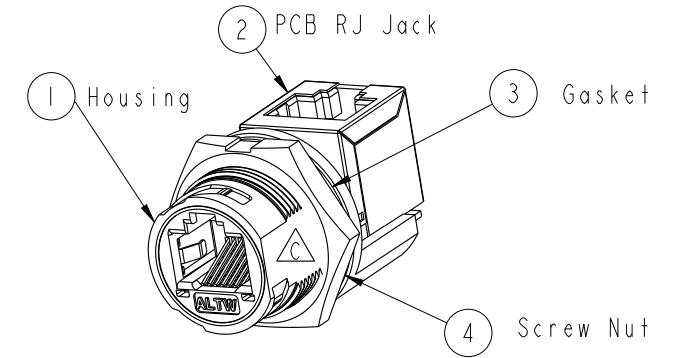
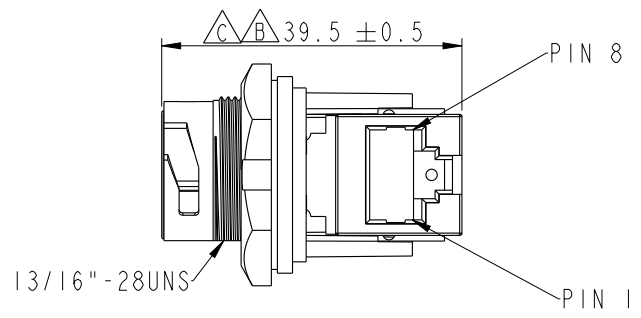




REV.	ECN NO.	DATE	SIGN	DESCRIPTION
B	LE313A0346	2013-10-23	Raison	Modify Jack, Note
C	LEN1440189	2014-04-19	Tom_gu	Change D Cut



- Note:
- \*  $\text{CC}$  Important Dimension
  - \* Waterproof Rate : IP67 Mated
  - \* Housing : Nylon+GF, UL 94V-0, BLACK
  - \* Screw Nut : Nylon+GF, BLACK
  - \*  $\triangle B$  Gasket : Silicone, UL 94V-0, Gray.
  - \* PCB: FR-4
  - \* Jack : PBT Polyester UL 94V-0
  - \*  $\triangle B$  Use without Waterproof cap or Dust cap For Panel Thickness Max: 4.2mm
  - \* Use with Waterproof cap or Dust cap For Panel Thickness Max: 3.0mm
  - \*  $\triangle B$  Screw torsion value range: 8~12kgf-cm

UNIT : mm		
TOLERANCE	.X ±0.25	
.XX	±0.1	
.XXX	±0.05	
ANGLES	±1°	

TITLE RJ45, C SIZE, MATED WP			
SCALE 1:1	SIZE A4	SHEET 1 OF 1	
REV. C	WC-REV. B.2	$\text{CC}$ : Inspection item	

**Amphenol LTW**  
安費諾亮泰企業股份有限公司

ITEM NO RCP-5SPFFV-TCM7001	DRAWN BY Tom_gu	DATE 2014-04-19
DWG NO RCP-5SPFFV-TCM7001	CHECKED BY Tony	DATE 2014-04-19
CUSTOMER ALTW	APPROVED BY Victor	DATE 2014-04-19

THIS DOCUMENT IS SUBJECT TO CHANGE WITHOUT NOTICE. IT IS CONFIDENTIAL AND A PROPERTY OF AMPHENOL LTW. DISCLOSURE TO THIRD PARTY HAS TO BE AUTHORIZED BY AMPHENOL LTW.

# Mouser Electronics

Authorized Distributor

Click to View Pricing, Inventory, Delivery & Lifecycle Information:

[Amphenol:](#)

[RCP-5SPFFV-TCM7001](#)