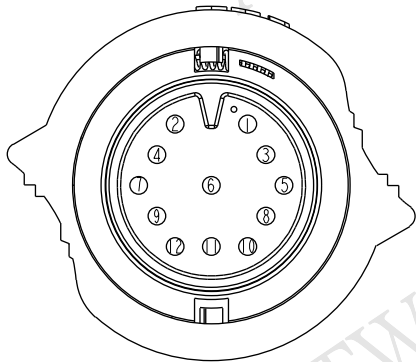
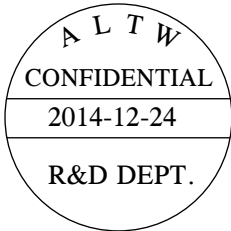
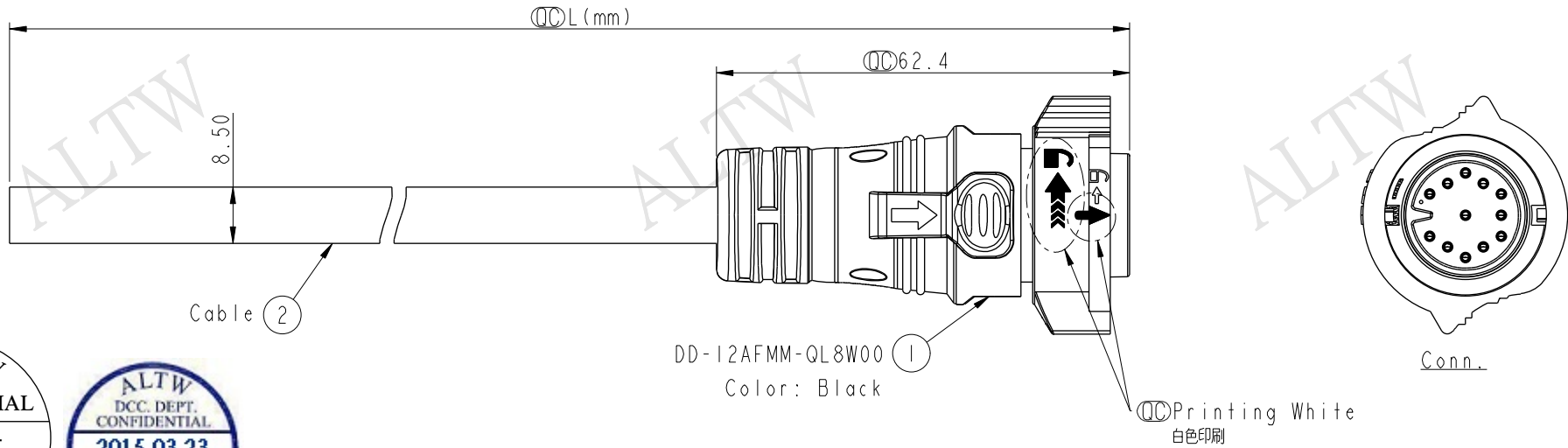


REV.	ECN NO.	DATE	SIGN	DESCRIPTION



Pin Assignments  
Front View

12	Light Green	淡綠
11	Pink	粉紅
10	White	白
9	Gray	灰
8	Purple	紫
7	Blue	藍
6	Green	綠
5	Yellow	黃
4	Orange	橙
3	Red	紅
2	Brown	棕
1	Black	黑
Conn.	Wire Color	Pin Out

DD-12AFMM-QL8DXX

XX : 01~99Meters  
 01 : 01Meter  
 02 : 02Meters  
 ...  
 99 : 99Meters

Cable Length(L): 01~99Meters

Note:

- \*  $\varnothing$  Important Dimension To Check.
- \* Working Voltage Rating: AC 300V
- \* Working Current Rating: 5A
- \* Flame Class: UL94V-0 (UV Resistance)
- \* Waterproof Rate: IP68(Mated)
- \* Housing: Nylon+GF, Black
- \* Male Pin: Copper Alloy, Gold Plated
- \* Cable: UL21388 20AWG\*12C+AL.Mylar Black, PVC Jacket UV Resistant, OD=8.5
- \* Cable Length Tolerance: 01M:±40mm  
 02M~05M:±60mm  
 06M~10M:±100mm  
 11M~30M:±200mm  
 31M~99M:±500mm

UNIT:mm	
TOLERANCE	±0.5

TITLE X-Lok D Size Cable Molding 12Pin F Connector M Pin(5A)			
SCALE 1:1	SIZE A4	SHEET 1 OF 1	
REV. A	WC-REV. A.1	$\varnothing$ : Inspection item	

**Amphenol LTW**  
 安費諾亮泰企業股份有限公司

ITEM NO	DRAWN BY Micky	DATE 2014-12-24
DWG NO DD-12AFMM-QL8DXX	CHECKED BY Spring	DATE 2014-12-24
CUSTOMER ALTW	APPROVED BY Victor	DATE 2014-12-24

THIS DOCUMENT IS SUBJECT TO CHANGE WITHOUT NOTICE. IT IS CONFIDENTIAL AND A PROPERTY OF Amphenol LTW. DISCLOSURE TO THIRD PARTY HAS TO BE AUTHORIZED BY Amphenol LTW.

# Mouser Electronics

Authorized Distributor

Click to View Pricing, Inventory, Delivery & Lifecycle Information:

[Amphenol:](#)

[DD-12AFMM-QL8D01](#)