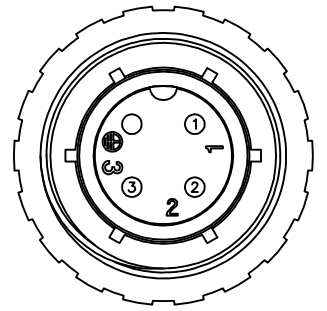
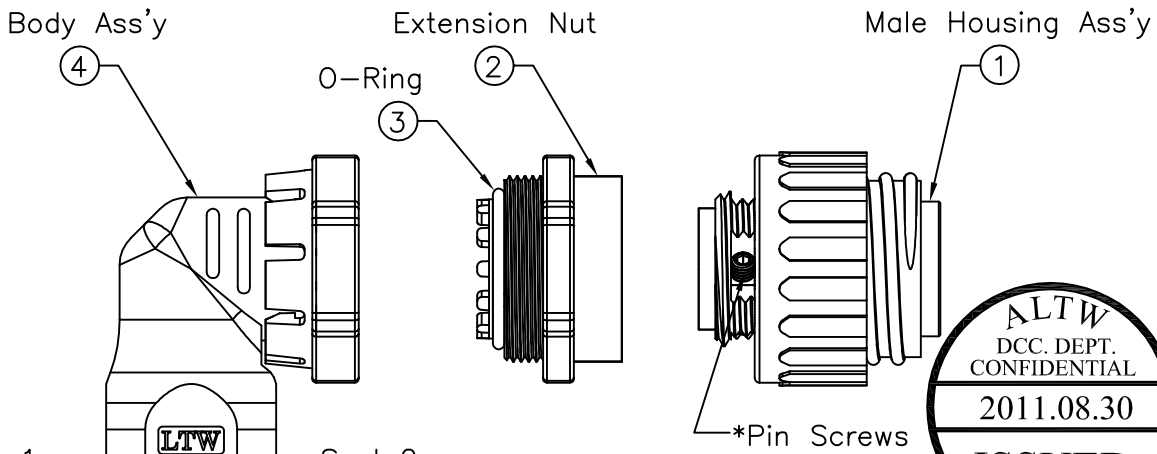
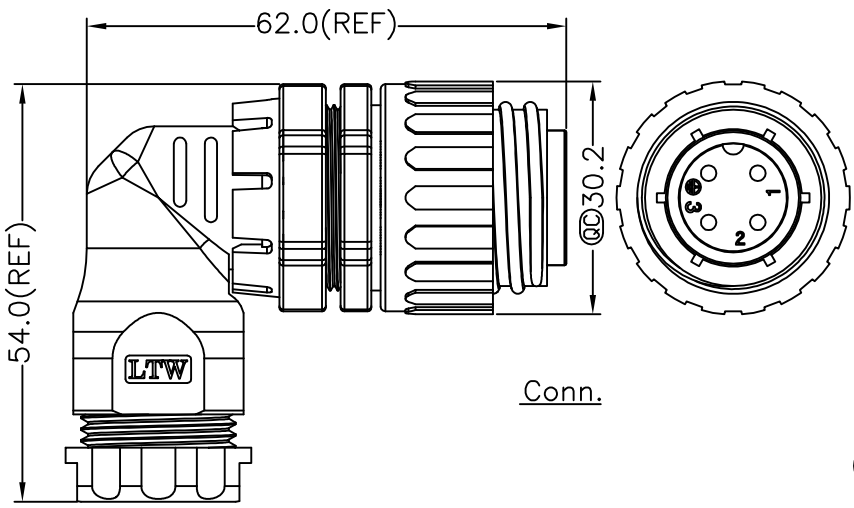
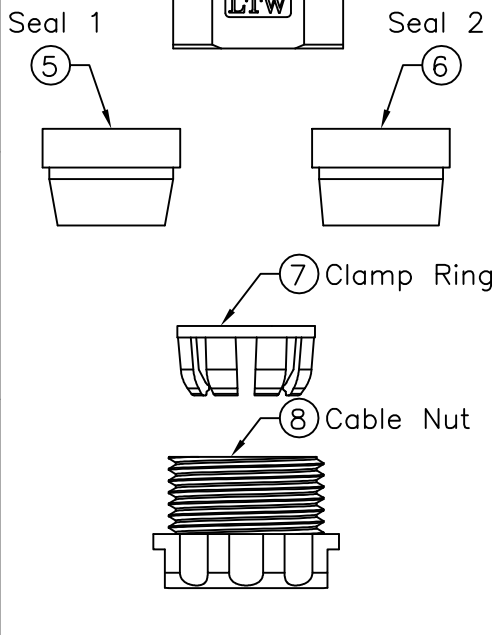
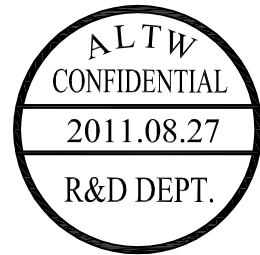
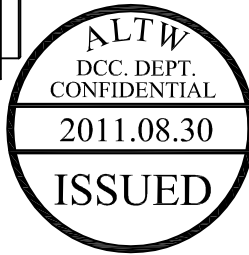


REV.	ECN NO.	DATE	SIGN	DESCRIPTION
A	Initial Release	2010/03/24	Dominic	
B	LEN1180140	2011/08/27	baowei	Add Wire Size



Pin Assignments
Front View



Note:

- * @C Important Dimensions To Check.
- * Waterproof Rate: IP67
- * Male Housing: Nylon+GF, Black
- * Male Pin: Copper Alloy, Silver Plated
- * Pin Screws: 1.5mm(HEX), Stainless Steel
For wire assembly, tightened by tool.
- * O-ring: Silicone, Black
- * Seal 1: For Cable OD: $\phi 6.0\text{mm} \sim 9.0\text{mm}$
- * Seal 2: For Cable OD: $\phi 9.0\text{mm} \sim 12.5\text{mm}$
- * Flame Class: UL94V-0
- ⑨ * One Set Unassembled in one PE Bag
- * 1.5mm Hex Tool for Screws sold separately
- △ * Wire Size Range: 14AWG~18AWG

UNIT:mm	
TOLERANCE	
±0.5 mm	

TITLE Assy Right Angle M Power Conn. Screw in Pins,16Amp (Silver Plated)			
SCALE	Free	SHEET	1 OF 1
REV.	B	SIZE	A4
QC : Inspection Item			

Amphenol LTW
安費諾亮泰企業股份有限公司

ITEM NO	PWG-04BMMB-SR7002
DWG NO	PWG-04BMMB-SR7002
CUSTOMER	ALTW

DRAWN BY	baowei
CHECKED BY	Micky
APPROVED BY	Victor

DATE	2011/08/27
DATE	2011/08/27
DATE	2011/08/27

THIS DOCUMENT IS SUBJECT TO CHANGE WITHOUT NOTICE. IT IS CONFIDENTIAL AND A PROPERTY OF AMPHENOL LTW. DISCLOSURE TO THIRD PARTY HAS TO BE AUTHORIZED BY AMPHENOL LTW.

F
E
D
C
B
A

Mouser Electronics

Authorized Distributor

Click to View Pricing, Inventory, Delivery & Lifecycle Information:

[Amphenol:](#)

[PWG-04BMMB-SR7002](#)