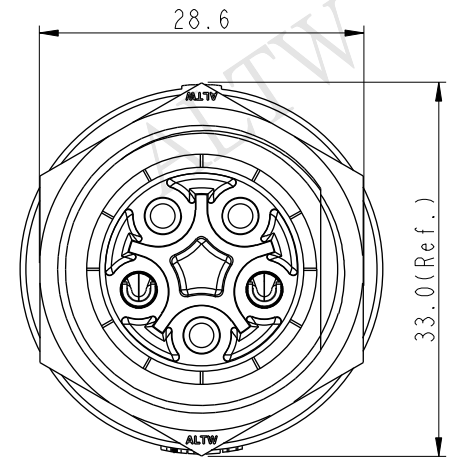
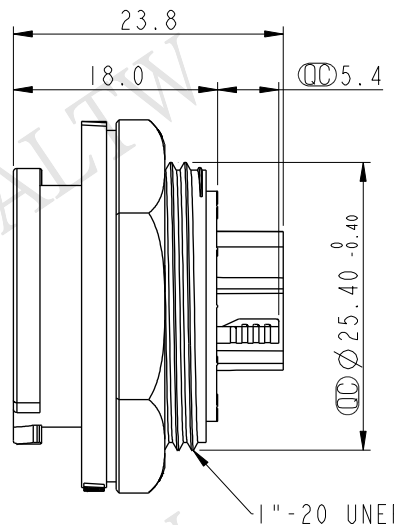
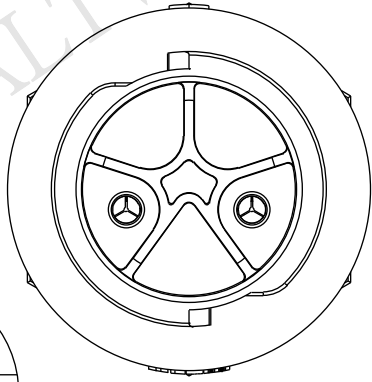


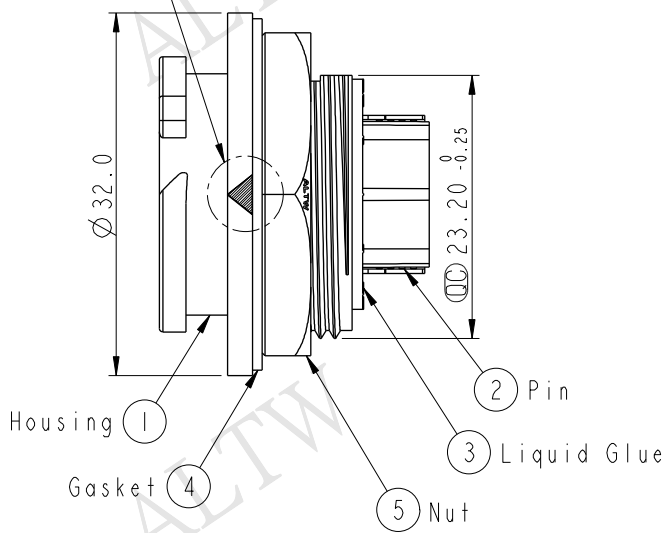
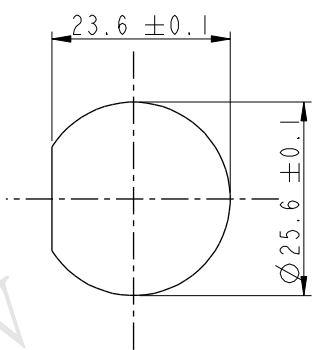
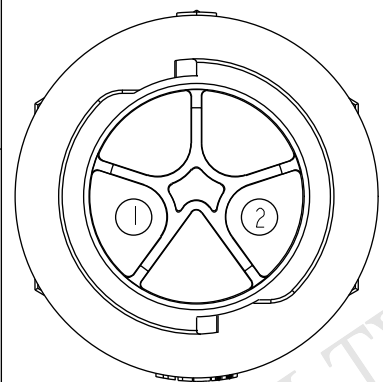
REV.	ECN NO.	DATE	SIGN	DESCRIPTION
A	Initial Release	2016-05-19	Wes	Change Rev.01 To Rev.A

ALTW
CONFIDENTIAL
2016-05-19
R&D DEPT.



White Printing

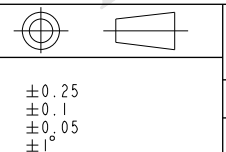
ALTW
DCC. DEPT.
CONFIDENTIAL
2016.05.26
ISSUED



- Note:
- * Important Dimension To Check.
 - * Waterproof Rate: IP68(Unmated)
In 1 meters water within 24hours.
 - * Working Voltage Rating: AC 300V
 - * Working Current: 20A
 - * Housing: Nylon+GF, Black
 - * Male Pin: Copper Alloy, Gold Plated
 - * Liquid Glue: Black
 - * Nut: Nylon+GF, Black
 - * Gasket: Silicone, Gray
 - * Panel Thickness Max: 3.6mm

UNIT:mm

TOLERANCE	
.X	±0.25
.XX	±0.1
.XXX	±0.05
ANGLES	±1°



TITLE X-Lok D Size 20A(For Power) Receptacle Rear 2P M Conn M Pin			
SCALE 3:2	SIZE A4	SHEET 1 OF 1	
REV. A	WC-REV. A.2	QC: Inspection item	

Amphenol LTW
安費諾亮泰企業股份有限公司

ITEM NO. DC-02RMMS-OC800P	DRAWN BY Wes Fan	DATE 2016-05-19
DWG NO. DC-02RMMS-OC800P	CHECKED BY Spring Liu	DATE 2016-05-19
CUSTOMER ALTW	APPROVED BY Kevin Hu	DATE 2016-05-19

DATE 2016-05-19
DATE 2016-05-19
DATE 2016-05-19

THIS DOCUMENT IS SUBJECT TO CHANGE WITHOUT NOTICE. IT IS CONFIDENTIAL AND A PROPERTY OF AMPHENOL LTW. DISCLOSURE TO THIRD PARTY HAS TO BE AUTHORIZED BY AMPHENOL LTW.

Mouser Electronics

Authorized Distributor

Click to View Pricing, Inventory, Delivery & Lifecycle Information:

[Amphenol:](#)

[DC-02RMMS-QC800P](#)