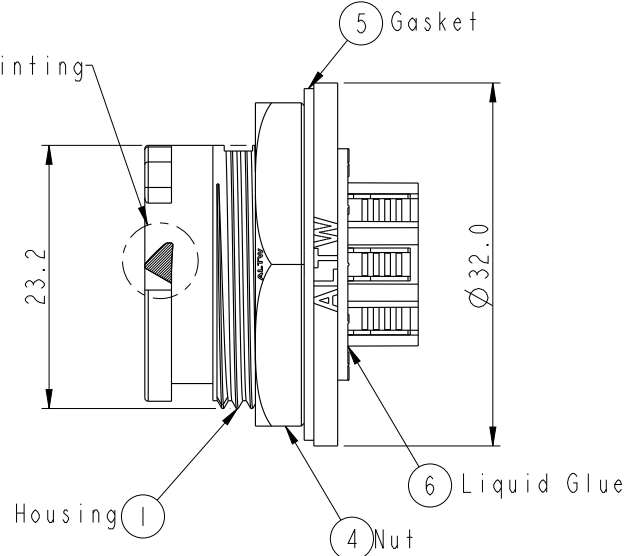
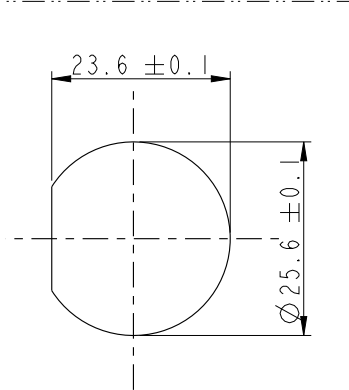
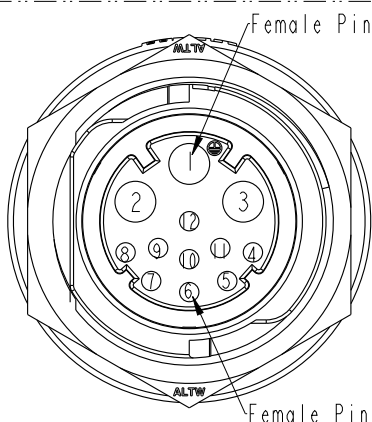
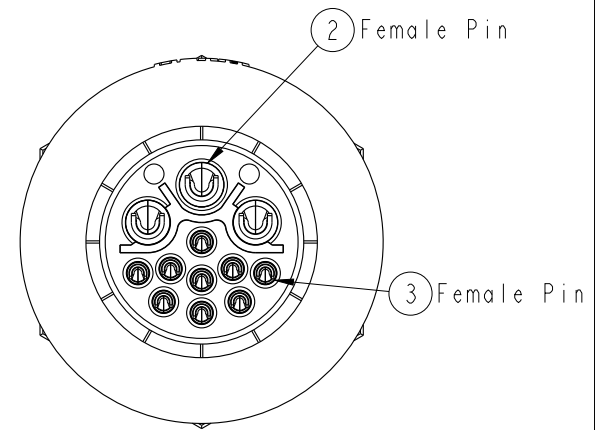
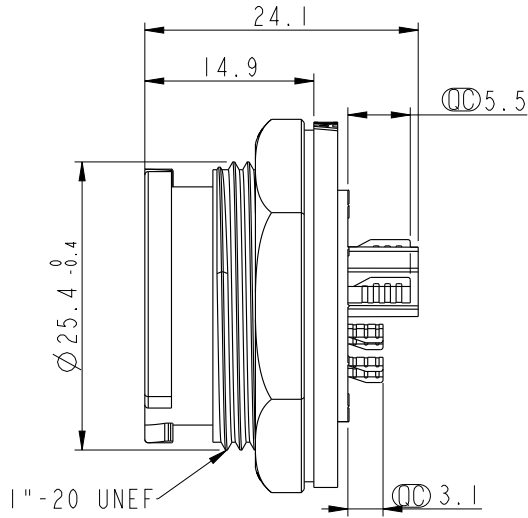
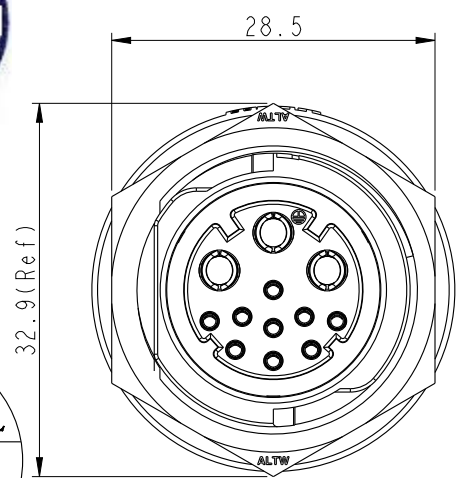


THIS DOCUMENT IS SUBJECT TO CHANGE WITHOUT NOTICE. IT IS CONFIDENTIAL AND A PROPERTY OF Amphenol LTW. DISCLOSURE TO THIRD PARTY HAS TO BE AUTHORIZED BY Amphenol LTW.

REV.	ECN NO.	DATE	SIGN	DESCRIPTION
A	Initial Release	2016-04-25	Spring	Change Rev.01 To Rev.A

ALTW
DCC. DEPT.
CONFIDENTIAL
2016.05.05
ISSUED

ALTW
CONFIDENTIAL
2016-04-25
R&D DEPT.



- Note:
- * \varnothing Important Dimension To Check.
 - * Waterproof Rate: IP68(Unmated)
In 1 meter water within 24 hours
 - * Working Voltage Rating:
Power AC/DC 300V
Data DC 30V
 - * Working Current:
Power: 20A
Data: 05A
 - * Housing: Nylon+GF, Black
 - * Pin: Copper Alloy, Gold Plated
 - * Nut: Nylon+GF, Black
 - * Gasket: Silicone, Gray
 - * Use without waterproof cap
Panel Thickness Max: 3.6mm
 - * Use with waterproof cap
Panel Thickness Max: 2.6mm

\varnothing White Printing

Pin Assignments
Front View

Recommended Panel
Cut-Out

UNIT:mm

TOLERANCE	
.X	±0.25
.XX	±0.1
.XXX	±0.05
ANGLES	±1°

TITLE X-Lok D Size Hybrid Receptacle 12 Pin M Connector F Pin			
SCALE 3:2	SIZE A4	SHEET 1 OF 1	
REV. A	WC-REV. A.2	\varnothing : Inspection item	

Amphenol LTW
安費諾亮泰企業股份有限公司

ITEM NO. DCD-12PMFS-QC8001	DRAWN BY Spring	DATE 2016-04-25
DWG NO. DCD-12PMFS-QC8001	CHECKED BY Fisher	DATE 2016-04-25
CUSTOMER ALTW	APPROVED BY Kevin	DATE 2016-04-25

Mouser Electronics

Authorized Distributor

Click to View Pricing, Inventory, Delivery & Lifecycle Information:

[Amphenol:](#)

[DCD-12PMFS-QC8001](#)