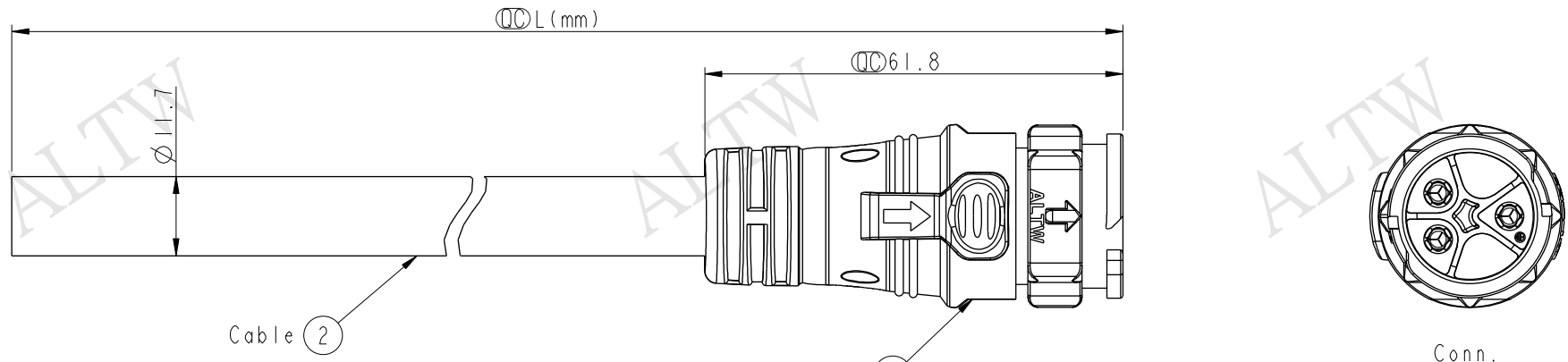


REV.	ECN NO.	DATE	SIGN	DESCRIPTION
A	Initial Release	2016-02-16	Wes	Change Rev.01 To Rev.A

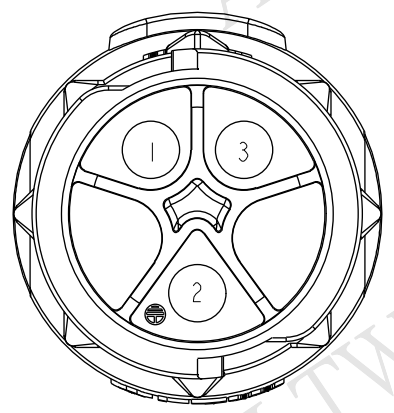


Cable ②

DC-03AMMM-QL8W00 ①  
Color: Black

ALTW  
CONFIDENTIAL  
2016-02-16  
R&D DEPT.

ALTW  
DCC. DEPT.  
CONFIDENTIAL  
2016.03.14  
ISSUED



Pin Assignments  
Front View


3	Green	綠
2	White	白
1	Black	黑
Conn.	Wire Color	
Pin Out		

DC-03AMMM-QL8DXX

- XX : 01~99Meters
- 01 : 01Meter
- 02 : 02Meters
- ...
- 99 : 99Meters

Cable Length(L): 01~99Meters

- Note:
- \*  $\varnothing$  Important Dimension To Check.
  - \* Working Voltage Rating: AC 300V
  - \* Working Current Rating: Max. 20A
  - \* Waterproof Rate: IP68(Mated)  
In 1 meters water within 24hours.
  - \* Housing: Nylon+GF, Black(UV Resistance)
  - \* Male Pin: Copper Alloy, Gold & Ni Plated
  - \* Cable: SJTW 12AWG\*3C, PVC Jacket,  
OD=11.7, Black.
  - \* Cable Length Tolerance: 01M:±40mm  
02M-05M:±60mm  
06M~10M:±100mm  
11M~30M:±200mm  
31M~99M:±500mm

UNIT:mm    
TOLERANCE ±0.5

TITLE X-Lok D Size Cable Molding 3Pin M Connector M Pin(20A)			
SCALE 1:1	SIZE A4	SHEET 1 OF 1	
REV. A	WC-REV. A.4	$\varnothing$ : Inspection item	

**Amphenol LTW**  
安費諾亮泰企業股份有限公司

ITEM NO	DRAWN BY Wes	DATE 2016-02-16
DWG NO DC-03AMMM-QL8EXX	CHECKED BY Spring	DATE 2016-02-16
CUSTOMER ALTW	APPROVED BY Kevin	DATE 2016-02-16

THIS DOCUMENT IS SUBJECT TO CHANGE WITHOUT NOTICE. IT IS CONFIDENTIAL AND A PROPERTY OF AMPHENOL LTW. DISCLOSURE TO THIRD PARTY HAS TO BE AUTHORIZED BY AMPHENOL LTW.

# Mouser Electronics

Authorized Distributor

Click to View Pricing, Inventory, Delivery & Lifecycle Information:

[Amphenol:](#)

[DC-03AMMM-QL8E01](#)