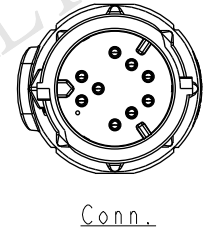
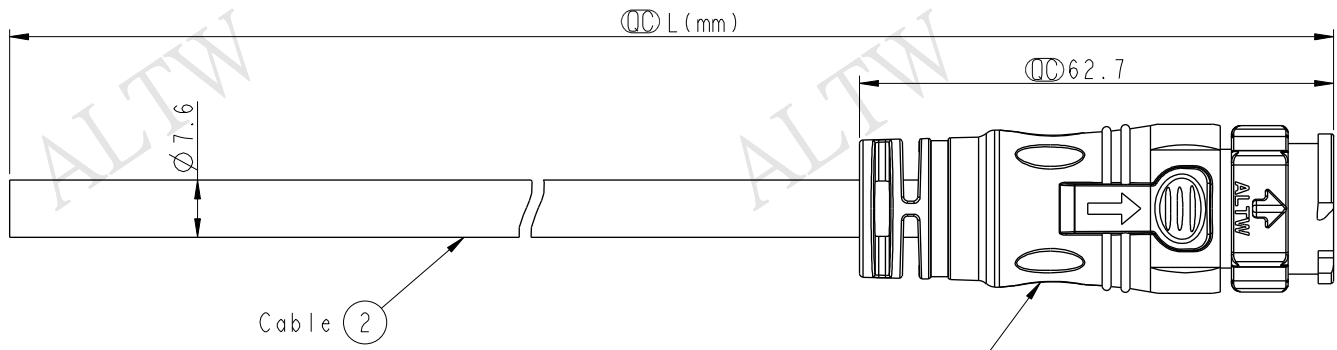
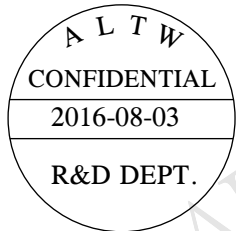


REV.	ECN NO.	DATE	SIGN	DESCRIPTION
B	LEN1680620	2016-08-03	Wes Fan	Modify Wire Color.



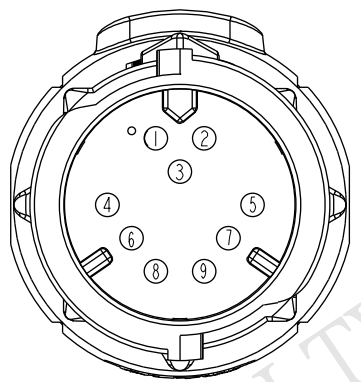
CD-09AMMM-QL8W00
Color: Black



- Note:
- * \varnothing Important Dimension To Check.
 - * Working Voltage Rating: AC 300 V
 - * Working Current Rating: 5A
 - * Flame Class: UL94V-0 (UV Resistance)
 - * Waterproof Rate: IP68(Mated)
 - * Housing: Nylon+GF, Black.
 - * Male Pin :Copper Alloy, Gold Plated
 - * Cable: UL21388 20AWG*9C+AL/PET Tape Black, PVC Jacket UV Resistant, OD=7.6
 - * Cable Length Tolerance: 01M:±40mm
02M~05M:±60mm
06M~10M:±100mm
11M~30M:±200mm
31M~99M:±500mm

CD-09AMMM-QL8DXX

- XX :01~99Meters
- 01 :01Meter
- 02 :02Meters
- ...
- 99 :99Meters



Pin Assignments
Front View

9	Brown	棕
8	Green	綠
7	Orange	橙
6	Blue	藍
5	Purple	紫
4	Yellow	黃
3	Black	黑
2	Red	紅
1	Gray	灰
Conn.	Wire Color	
	Pin Out	



UNIT:mm		
TOLERANCE	±0.5	

TITLE X Lok C-Size Cable 9 Pin 5A M Conn. M Pin			
SCALE 1:1	SIZE A4	SHEET 1 OF 1	
REV. B	WC-REV. A.2	\varnothing : Inspection item	

Amphenol LTW
安費諾亮泰企業股份有限公司

ITEM NO	DRAWN BY Wes Fan	DATE 2016-08-03
DWG NO CD-09AMMM-QL8DXX	CHECKED BY Spring Liu	DATE 2016-08-03
CUSTOMER ALTW	APPROVED BY Kevin Hu	DATE 2016-08-03

THIS DOCUMENT IS SUBJECT TO CHANGE WITHOUT NOTICE. IT IS CONFIDENTIAL AND A PROPERTY OF Amphenol LTW. DISCLOSURE TO THIRD PARTY HAS TO BE AUTHORIZED BY Amphenol LTW.

Mouser Electronics

Authorized Distributor

Click to View Pricing, Inventory, Delivery & Lifecycle Information:

[Amphenol:](#)

[CD-09AMMM-QL8D01](#)