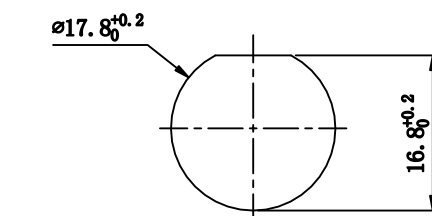
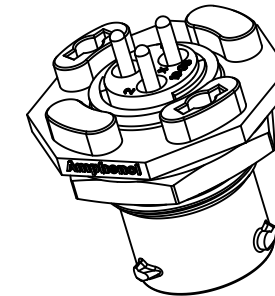
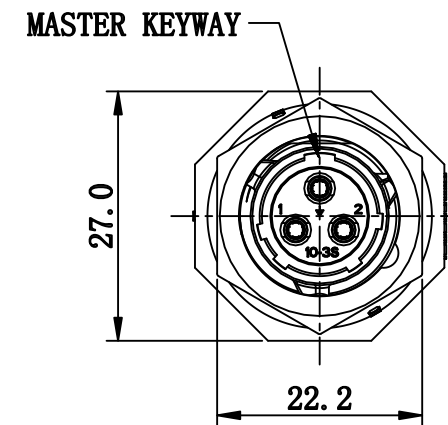
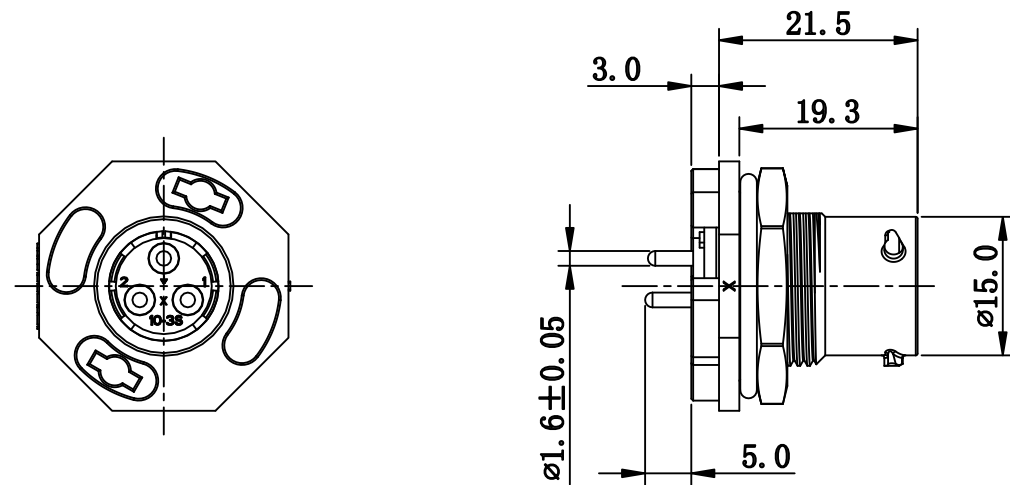
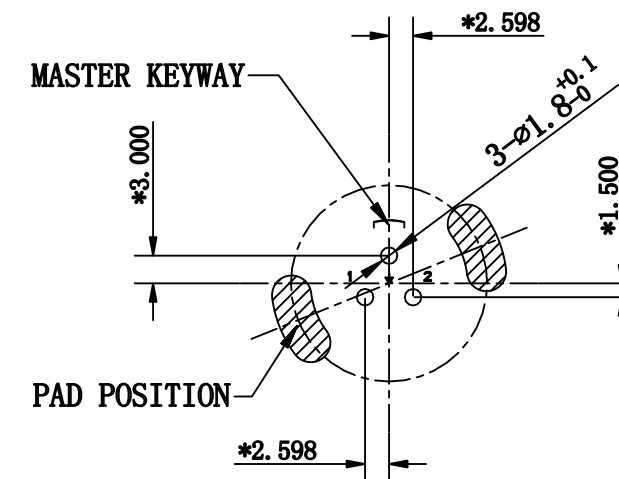


REVISIONS					
REV	ECO	DESCRIPTION	DATE	BY	APPR
A1	—	FIRST RELEASED	Jul-26-2019	Zaki	Tommy



RECOMMEND MOUNTING HOLE



RECOMMEND PCB LAYOUT

NOTES: (UNLESS OTHERWISE SPECIFIED)

1. MATERIAL:

- SHELL: THERMOPLASTIC, UL94 V-0.
- INSERT: THERMOPLASTIC, UL94 V-0.
- O-RING: SILICONE RUBBER.
- SEAL GASKET: SILICONE RUBBER.
- JAM NUT: ALUMINIUM ALLOY, BLACK ANODIZING.
- CONTACT: COPPER ALLOY, GOLD PLATED.

2. SPECIFICATIONS:

- 2.1 RATED CURRENT: 13A (MAX).
- 2.2 RATED VOLTAGE: 500V(AC/DC).
- 2.3 OPERATING TEMPERATURE: -40C - 125C.
- 2.4 DIELECTRIC WITHSTANDING VOLTAGE: LESS THAN 2 MILLIAMPS CURRENT LEAKAGE@2000 VOLTS AC.
- 2.5 INSULATION RESISTANCE: 5000 MEGOHMS MIN.
- 2.6 IP--CLASS: IP67 AND IP69K IN THE MATED CONDITION.
- 2.7 MATING CYCLES DURABILITY: 500 CYCLES MIN.
- 2.8 RoHS COMPLIANT.

3. SUITABLE CONTACTS: 16# CONTACT.

4. ALL DIMENSIONS ARE FOR REFERENCE USE ONLY.

KEY	PART NUMBER
N	RTS710ND3S03
W	RTS710WD3S03
X	RTS710XD3S03
Y	RTS710YD3S03
Z	RTS710ZD3S03

QUANTITY	PART NUMBER	DESCRIPTION	ITEM								
MATERIALS LIST											
<small>UNLESS OTHERWISE SPECIFIED</small> 1) All dimensions are in metric(mm). 2) Tolerances are as follows: 1 PL DEC ±0.30 2 PL DEC ±0.15 3 PL DEC ±0.08 Fractions ±1/64 Angles ±1° 3) Note reference =		SIGNATURES DRAWN: Zaki CHECKED: Martin ENGINEER: APPROVAL: Tommy DATE: Jul-26-2019 Jul-26-2019	 Sine Systems - www.amphenol-sine.com 44724 Morley Drive Clinton Township, MI 48036								
<small>MATERIAL SPECIFICATIONS:</small> <small>PROCESS SPECIFICATIONS:</small> <small>NEXT ASSY:</small>		<small>CUSTOMER:</small> THIS DRAWING IS SUPPLIED FOR INFORMATION ONLY. DESIGN FEATURES, SPECIFICATIONS AND PERFORMANCE DATA SHOWN HEREON ARE THE PROPERTY OF THE AMPHENOL CORPORATION. NO RIGHTS OF REPRODUCTION ARE IMPLIED. ALL DIMENSIONS ARE SUBJECT TO NORMAL MANUFACTURING VARIATIONS.	ECOMATE® AQUARIUS™, RECEPTACLE, JAM NUT, SIZE 10, 3POS, SOCKET <table border="1"> <tr> <td>SIZE</td> <td>TYPE</td> <td>DWG NO:</td> <td>REVISION</td> </tr> <tr> <td>B</td> <td>C-</td> <td>RTS710*D3S03</td> <td>A1</td> </tr> </table>	SIZE	TYPE	DWG NO:	REVISION	B	C-	RTS710*D3S03	A1
SIZE	TYPE	DWG NO:	REVISION								
B	C-	RTS710*D3S03	A1								
SCALE: NONE		SHEET 1 OF 1									

TITLE: ECOMATE, RECEPTACLE, JAM NUT, SIZE 10, 3POS, SOCKET
 DWG NO: RTS710ND3S03
 REV: A1
 SHE: 1
 OF: 1

Mouser Electronics

Authorized Distributor

Click to View Pricing, Inventory, Delivery & Lifecycle Information:

[Amphenol:](#)

[RTS710ND3S03](#)